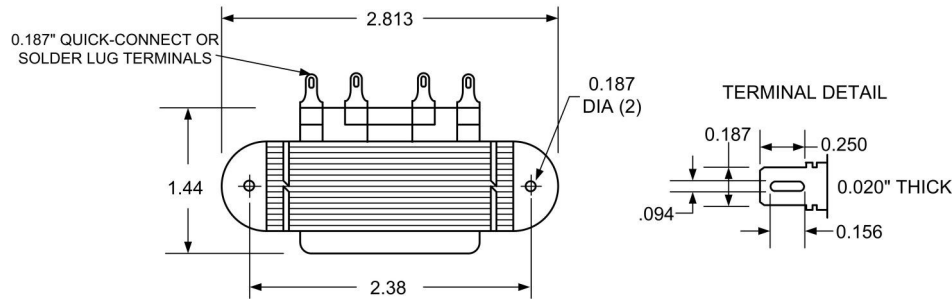
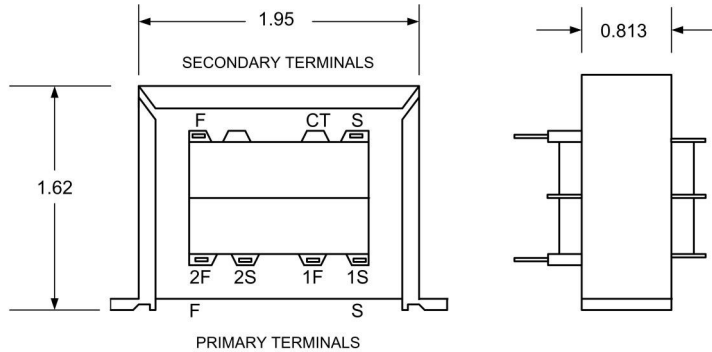


# PP & DPP - CHASSIS MOUNT WITH QUICK-CONNECT TERMINALS POWER TRANSFORMER



## 1. Electrical Specifications

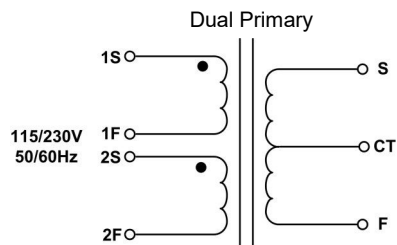
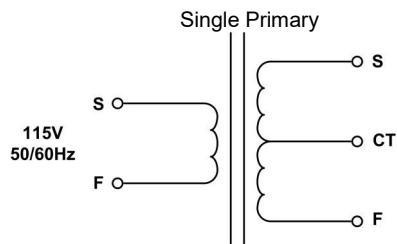
- A. Maximum Power: 12 VA
- B. Input Voltage and Frequency: 115V & 115/230V @ 50/60Hz
- C. Hi-Pot: 2500 Vrms 1 minute

## 2. Agency Approval:

UL/cUL 5085-2 Recognized (File E47299)  
Insulation File No. E95662



Part No.		
115V	115/230V	Secondary
PP-5-10	DPP-5-10	10VCT @ 1.2A
PP-5-12	DPP-5-12	12.6VCT @ 1.0A
PP-5-16	DPP-5-16	16VCT @ 0.8A
PP-5-20	DPP-5-20	20VCT @ 0.6A
PP-5-24	DPP-5-24	24VCT @ 0.5A
PP-5-28	DPP-5-28	28VCT @ 0.42A
PP-5-36	DPP-5-36	36VCT @ 0.35A
PP-5-48	PP-5-48	48VCT @ 0.25A
PP-5-56	DPP-5-56	56VCT @ 0.22A
PP-5-120	DPP-5-120	120VCT @ 0.1A
WEIGHT : 0.70 Lbs		



● Indicates Like Polarity

	<b>POWER TRANSFORMER</b>		<b>PP-5-XXX DPP-5-XXX</b>	
	CONTENTS OF THIS DRAWING ARE SUBJECT TO CHANGE WITHOUT PRIOR NOTICE		Powervolt Inc. 300 W Factory Road, Addison, IL -60101	
		Dim: Inches	Sheet 1 of 1	

PROPRIETARY NOTICE: THIS DRAWING PRINT OR DOCUMENT AND SUBJECT MATTER DISCLOSED HEREIN ARE PROPRIETARY ITEMS TO WHICH WABASH TRANSFORMER RETAINS THE EXCLUSIVE RIGHT OF DISSEMINATION, MANUFACTURE AND SALE. THIS DRAWING, PRINT OR DOCUMENT IS SUBMITTED IN CONFIDENCE FOR CONSIDERATION BY THE RECIPIENT ALONE UNLESS PERMISSION FOR FURTHER DISCLOSURE IS EXPRESSLY GRANTED IN WRITING