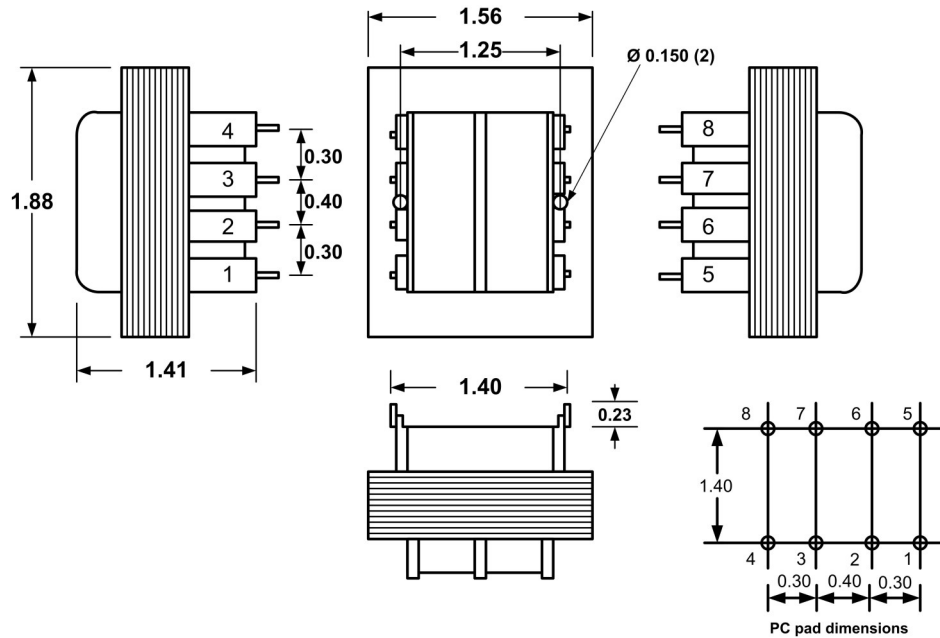


# CAPTAIN CLASS - PRINTED CIRCUIT MOUNT, STANDARD PROFILE POWER TRANSFORMER

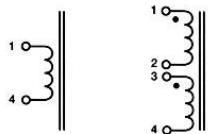


## 1. Electrical Specifications

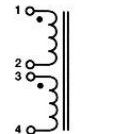
- A. Maximum Power: 12VA
  - B. Input Voltage and Frequency: 115V, 115/230V, 230V @ 50/60Hz
  - C. Voltage Regulation: 18% TYP @ Full Load to No Load
  - D. Temperature Rise: 30°C TYP
  - E. Insulation Resistance: > 1 MEG ohm
  - F. Hi-Pot: 2500 Vrms 1 minute
2. Marking: Ensign Corp, part number (see table), date code, terminal numbers
3. Agency Approval:  
 UL/cUL 5085-2 Recognized (File 47299)  
 UL 1446 Recognized Insulation System (File 95662)



### Primary Schematics

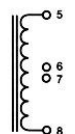


Single Input  
(Specify 115V,  
120V, 230V or  
240V)

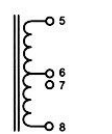


Dual Input  
(Specify  
115/230V or  
120/240V)

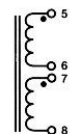
### Secondary Schematics



Single  
Output



Center-Tapped  
Output



Dual  
Output

Part No.			SeriesI Connection	Parallel Connection
115V	115/230V	230V		
P012-1-010X	P012-2-010X	P012-3-010X	10VCT @ 1.2A	5V @ 2.4A
P012-1-012X	P012-2-012X	P012-3-012X	12.6VCT @ 1.0A	6.3V @ 2.0A
P012-1-016X	P012-2-016X	P012-3-016X	16VCT @ 0.8A	8V @ 1.6A
P012-1-020X	P012-2-020X	P012-3-020X	20VCT @ 0.6A	10V @ 1.2A
P012-1-024X	P012-2-024X	P012-3-024X	24VCT @ 0.5A	12V @ 1.0A
P012-1-028X	P012-2-028X	P012-3-028X	28VCT @ 0.42A	14V @ 0.84A
P012-1-036X	P012-2-036X	P012-3-036X	36VCT @ 0.35A	18V @ 0.70A
P012-1-048X	P012-2-048X	P012-3-048X	48VCT @ 0.25A	24V @ 0.50A
P012-1-056X	P012-2-056X	P012-3-056X	56VCT @ 0.22A	28V @ 0.44A
P012-1-120X	P012-2-120X	P012-3-120X	120VCT @ 0.1A	60V @ 0.2A



**POWER TRANSFORMER  
CAPTAIN CLASS**

**P012-1-XXXX  
P012-2-XXXX  
P012-3-XXXX**

CONTENTS OF THIS DRAWING ARE SUBJECT TO  
CHANGE WITHOUT PRIOR NOTICE

**Ensign Corporation**  
201 ENSIGN RD., BELLEVUE, IA 52031

Dim: Inches

Sheet 1 of 1

PROPRIETARY NOTICE: THIS DRAWING PRINT OR DOCUMENT AND SUBJECT MATTER DISCLOSED HEREIN ARE PROPRIETARY ITEMS TO WHICH ENSIGN RETAINS THE EXCLUSIVE RIGHT OF DISSEMINATION, MANUFACTURE AND SALE. THIS DRAWING, PRINT OR DOCUMENT IS SUBMITTED IN CONFIDENCE FOR CONSIDERATION BY THE RECIPIENT ALONE UNLESS PERMISSION FOR FURTHER DISCLOSURE IS EXPRESSLY GRANTED IN WRITING