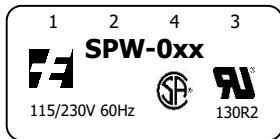
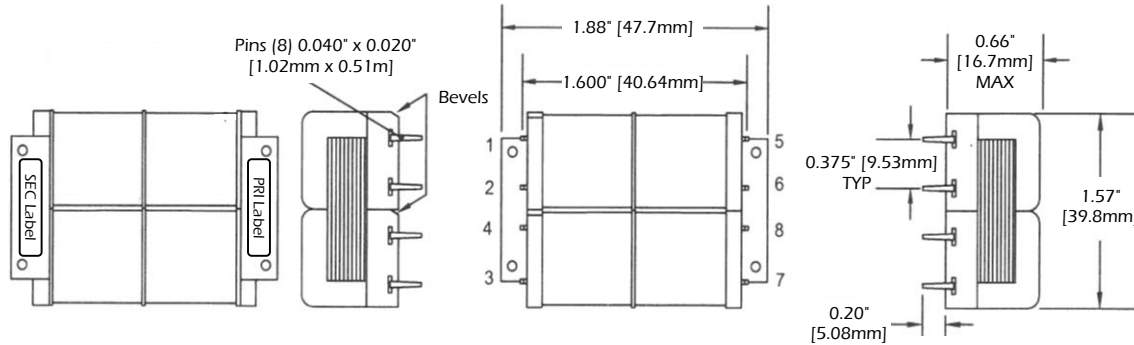


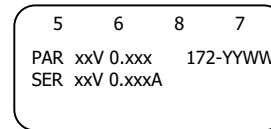
SPW-050

SPW-050 Series Features:

- * Rating: 2.5VA
- * 115/230V 60Hz input, dual (series/parallel) outputs, (see schematic notes below).
- * Side-by-side input and outputs (no electrostatic shield required).
- * 100% tested for PRI-SEC, PRI-Core, SEC-Core hi-pot at 1500VAC.
- * Coated to resist dust and moisture.
- * Low profile.
- * Same PCB layout as SPW-3050 Series (International-capable).



"xx" is replaced by last 2 digits of model number

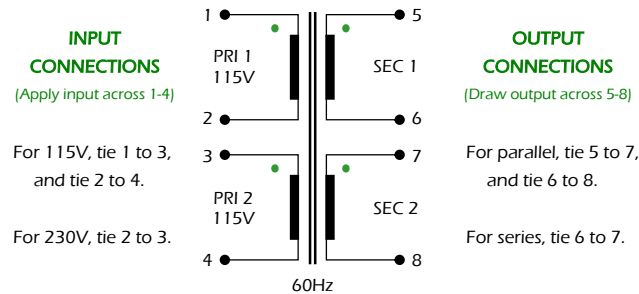


(*YYWW" replaced by current date code)

Dimensions are for reference only.

MODEL	Series Rating	Parallel Rating
SPW-050	10VCT @ 0.250A	5V @ 0.500A
SPW-051	12.6VCT @ 0.200A	6.3V @ 0.400A
SPW-052	16VCT @ 0.150A	8V @ 0.300A
SPW-053	20VCT @ 0.125A	10V @ 0.250A
SPW-054	24VCT @ 0.100A	12V @ 0.200A
SPW-055	34VCT @ 0.075A	17V @ 0.150A
SPW-056	40VCT @ 0.060A	20V @ 0.120A
SPW-057	56VCT @ 0.045A	28V @ 0.090A
SPW-058	88VCT @ 0.028A	44V @ 0.056A
SPW-059	120VCT @ 0.020A	60V @ 0.040A
SPW-060	230VCT @ 0.010A	115V @ 0.020A
SPW-061	30VAC @ 0.085A	15V @ 0.170A

PRI 1 and PRI 2 must ALWAYS be inter-connected, either in parallel or series.
SEC 1 and SEC 2 must ALWAYS be inter-connected, either in parallel or series.



CERTIFICATIONS & DECLARATIONS

- * **UL 5085-2** General Purpose recognized (E47299).
- * **CSA C22.2 #66** certified (063944).
- NOTE: Providing external circuit protection (ie. fusing) to comply with safety agency requirements in the application is the responsibility of the customer.*
- * **UL 1446** Recognized Class B (130°C) Insulation System (File E95662).
- * **RoHS** and **REACH** Compliant.
- * California **Prop 65** warning:

These products may contain chemicals known to the State of California to cause cancer, and birth defects or other reproductive harm.

REV	DATE	DESCRIPTION	BY
1	15-Aug-2024	'130R2' was '130R1'.	SDE
0	31-May-2021	Acquired from Prem Magnetics. Released for Production.	SDE

115/230V 60Hz
2.5VA



A PowerVolt Group Company
Bellevue, Iowa 52031 USA
ISO 9001 Registered since 1998