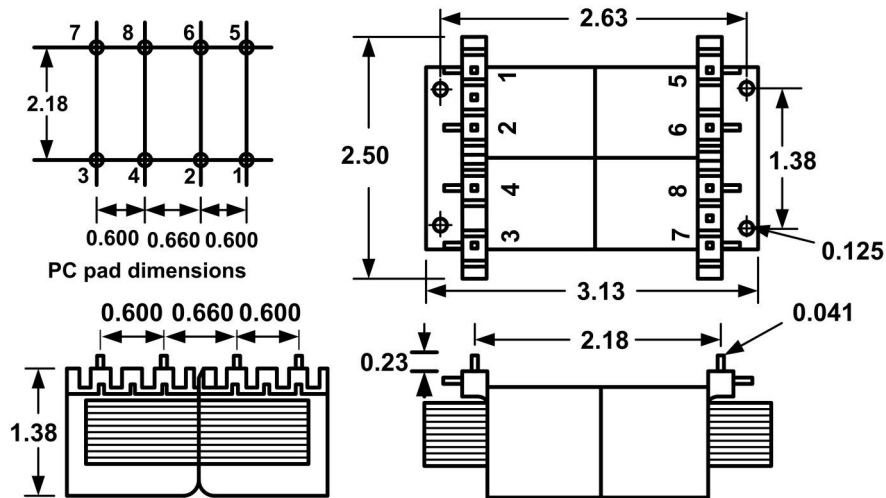


# FZ - PRINTED CIRCUIT MOUNT, LOW PROFILE POWER TRANSFORMER

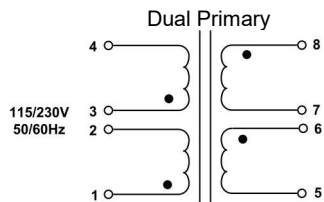
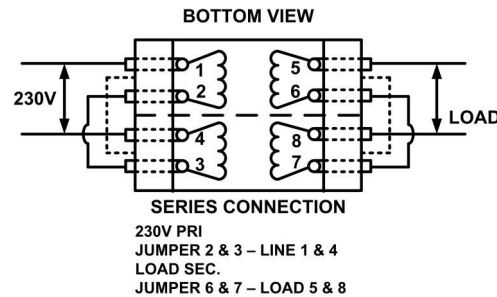
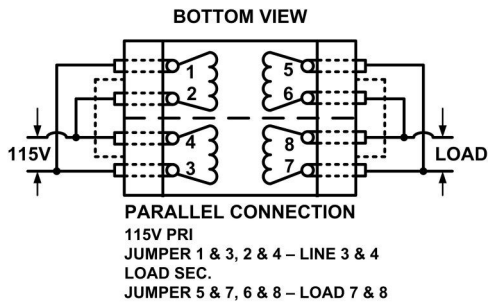


## 1. Electrical Specifications

- A. Maximum Power: 48VA
- B. Input Voltage and Frequency: 115/230V, 50/60Hz
- C. Voltage Regulation: 18% TYP, Full Load to No Load
- D. Temperature Rise: 50°C TYP
- E. Insulation Resistance: < 1 MEG ohm
- F. Hi-Pot: 1500 Vrms 1 minute

## 2. Agency Approval:

UL/cUL 5085-2 Recognized (File E47299)  
Insulation File No. E95662



• Indicates Like Polarity

Part No.	Series Connection	Parallel Connection
115/230V		
FZ10-4800	10VCT @ 4.80A	5V @ 9.60A
FZ12-3800	12.6VCT @ 3.8A	6.3V @ 7.60A
FZ16-3000	16VCT @ 3.00A	8V @ 6.00A
FZ20-2400	20VCT @ 2.40A	10V @ 4.80A
FZ24-2000	24VCT @ 2.00A	12V @ 4.00A
FZ30-1600	30VCT @ 1.60A	15V @ 3.20A
FZ34-1400	34VCT @ 1.40A	17V @ 2.80A
FZ40-1200	40VCT @ 1.20A	20V @ 2.40A
FZ56-850	56VCT @ 850MA	28V @ 1.70A
WEIGHT : 21 Oz.		

 The Power for your System	<b>POWER TRANSFORMER</b>		<b>FZ 10-XXX</b>	
	CONTENTS OF THIS DRAWING ARE SUBJECT TO CHANGE WITHOUT PRIOR NOTICE		Dim: Inches	
PROPRIETARY NOTICE: THIS DRAWING PRINT OR DOCUMENT AND SUBJECT MATTER DISCLOSED HEREIN ARE PROPRIETARY ITEMS TO WHICH POWERVOLT, INC. RETAINS THE EXCLUSIVE RIGHT OF DISSEMINATION, MANUFACTURE AND SALE. THIS DRAWING, PRINT OR DOCUMENT IS SUBMITTED IN CONFIDENCE FOR CONSIDERATION BY THE RECIPIENT ALONE UNLESS PERMISSION FOR FURTHER DISCLOSURE IS EXPRESSLY GRANTED IN WRITING		<b>Powervolt, Inc.</b> 300 W Factory Road, Addison, IL --60101		Sheet 1 of 1