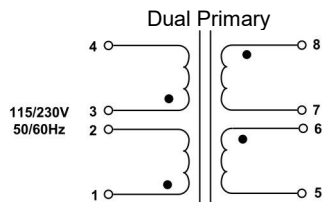
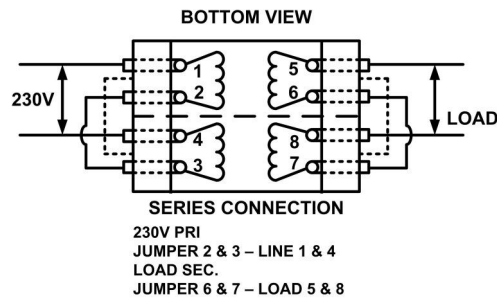
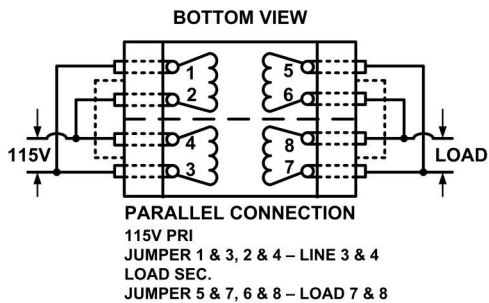
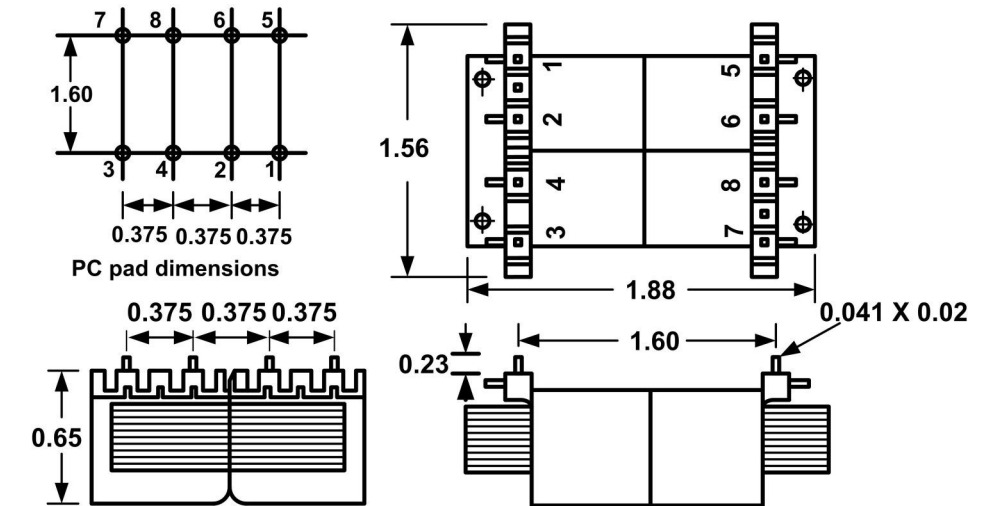


FZ - PRINTED CIRCUIT MOUNT, LOW PROFILE POWER TRANSFORMER



• Indicates Like Polarity

1. Electrical Specifications
 - A. Maximum Power: 2VA
 - B. Input Voltage and Frequency: 115/230V @ 50/60Hz
 - C. Voltage Regulation: 21% TYP, Full Load to No Load
 - D. Temperature Rise: 30°C TYP
 - E. Insulation Resistance: < 1 MEG ohm
 - F. Hi-Pot: 1500 Vrms 1 minute
2. Agency Approval :
 - UL/cUL 5085-2 Recognized (File E47299)
 - Insulation File No. E95662



Part No.	Series Connection	Parallel Connection
115/230V		
FZ 10-250	10VCT @ 250MA	5V @ 500MA
FZ 12-200	12.6VCT @ 200MA	6.3V @ 400MA
FZ 16-150	16VCT @ 150MA	8V @ 300MA
FZ 20-125	20VCT @ 125MA	10V @ 250MA
FZ 24-100	24VCT @ 100MA	12V @ 200MA
FZ 30-85	30VCT @ 85MA	15V @ 170MA
FZ 34-75	34VCT @ 75MA	17V @ 150MA
FZ 40-60	40VCT @ 60MA	20V @ 120MA
FZ 56-45	56VCT @ 45MA	28V @ 90MA
FZ 88-28	88VCT @ 28MA	44V @ 56MA
FZ-120-20	120VCT @ 20MA	60V @ 40MA
FZ-230-10	230VCT @ 10MA	115V @ 20MA
WEIGHT : 5 Oz.		

	POWER TRANSFORMER	FZ 10-XXX	
CONTENTS OF THIS DRAWING ARE SUBJECT TO CHANGE WITHOUT PRIOR NOTICE	Powervolt, Inc. 300 W Factory Road, Addison, IL 60101	Dim: Inches	Sheet 1 of 1
<small>PROPRIETARY NOTICE: THIS DRAWING PRINT OR DOCUMENT AND SUBJECT MATTER DISCLOSED HEREIN ARE PROPRIETARY ITEMS TO WHICH POWERVOLT RETAINS THE EXCLUSIVE RIGHT OF DISSEMINATION, MANUFACTURE AND SALE. THIS DRAWING, PRINT OR DOCUMENT IS SUBMITTED IN CONFIDENCE FOR CONSIDERATION BY THE RECIPIENT ALONE UNLESS PERMISSION FOR FURTHER DISCLOSURE IS EXPRESSLY GRANTED IN WRITING</small>			