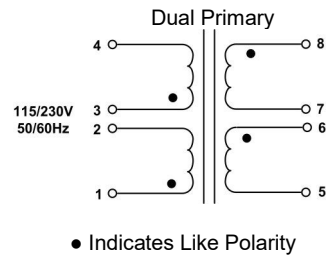
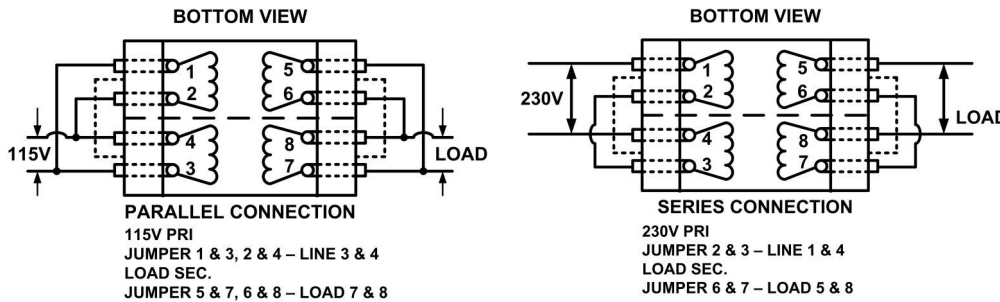
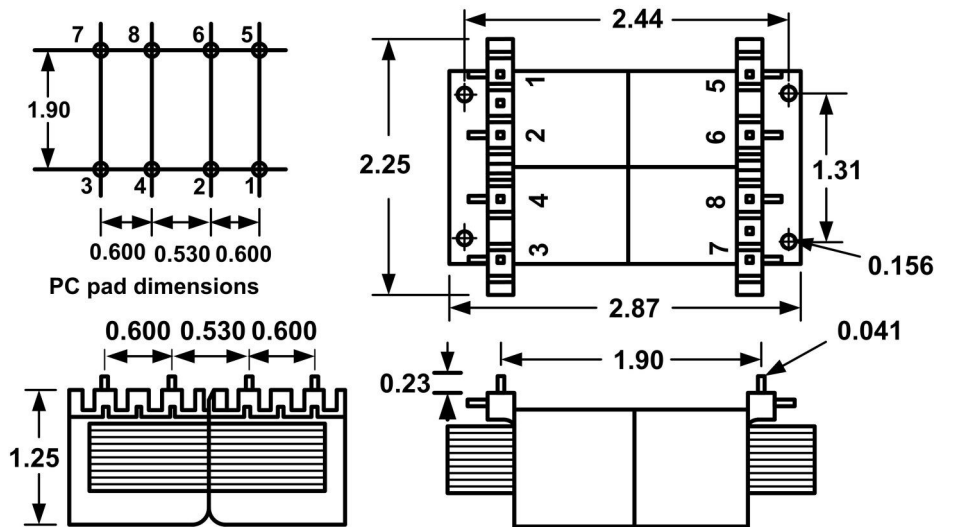


FZ - PRINTED CIRCUIT MOUNT, LOW PROFILE POWER TRANSFORMER



1. Electrical Specifications

- A. Maximum Power: 24VA
- B. Input Voltage and Frequency: 115/230V @ 50/60Hz
- C. Voltage Regulation: 30% TYP @ Full Load to No Load
- D. Temperature Rise: 60°C TYP
- E. Insulation Resistance: < 1 MEG ohm
- F. Hi-Pot: 1500 Vrms 1 minute

2. Agency Approval:

UL/cUL 5085-2 Recognized (File E47299)
 Insulation File No. E95662



Part No.	Series Connection	Parallel Connection
115/230V		
FZ 10-2400	10VCT @ 2.40A	5V @ 4.80A
FZ 12-1900	12.6VCT @ 1.90A	6.3V @ 3.80A
FZ 16-1500	16VCT @ 1.50A	8V @ 3.00A
FZ 20-1200	20VCT @ 1.20A	10V @ 2.40A
FZ 24-1000	24VCT @ 1.00A	12V @ 2.00A
FZ 30-800	30VCT @ 800MA	15V @ 1.60A
FZ 34-700	34VCT @ 700MA	17V @ 1.40A
FZ 40-600	40VCT @ 600MA	20V @ 1.20A
FZ 56-425	56VCT @ 425MA	28V @ 850MA
WEIGHT : 15 Oz.		

	POWER TRANSFORMER		FZ 10 -XXX	
	CONTENTS OF THIS DRAWING ARE SUBJECT TO CHANGE WITHOUT PRIOR NOTICE		Powervolt Inc. 300 W Factory Road, Addison, IL- 60101	Dim: Inches Sheet 1 of 1
PROPRIETARY NOTICE: THIS DRAWING PRINT OR DOCUMENT AND SUBJECT MATTER DISCLOSED HEREIN ARE PROPRIETARY ITEMS TO WHICH WABASH TRANSFORMER RETAINS THE EXCLUSIVE RIGHT OF DISSEMINATION, MANUFACTURE AND SALE. THIS DRAWING, PRINT OR DOCUMENT IS SUBMITTED IN CONFIDENCE FOR CONSIDERATION BY THE RECIPIENT ALONE UNLESS PERMISSION FOR FURTHER DISCLOSURE IS EXPRESSLY GRANTED IN WRITING				