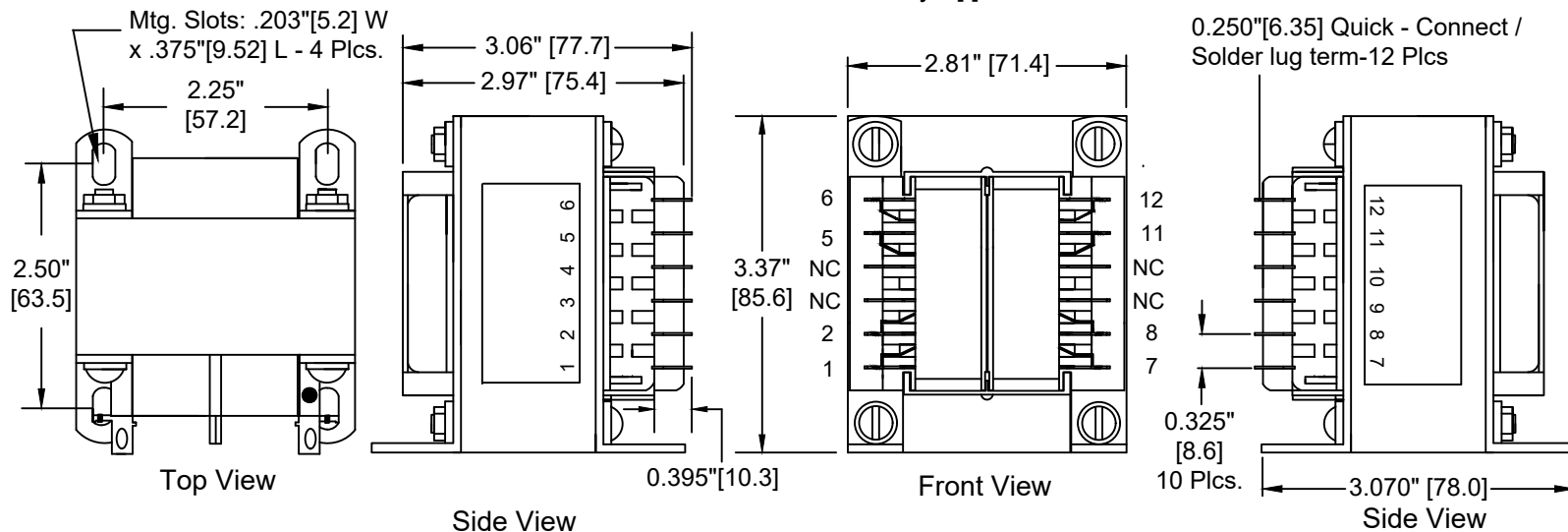


SPWC-1700 Series: 130 VA International Chassis Mount Power transformers with dual 115/230V primaries and dual secondaries. These transformers are designed to provide the high isolation, creepage and clearance distances necessary to comply with international safety standards.

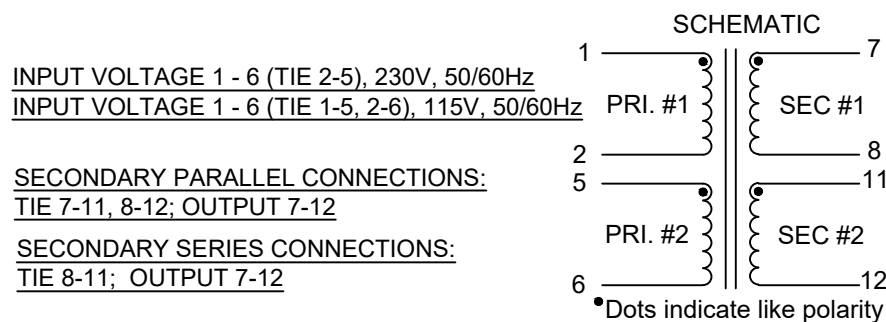
- Dielectric Strength - 4500Vrms Hipot primary - secondary
- Dual Primaries (must be used either Series or Parallel connected as one winding) 115/230V, 50/60Hz
- Insulation System - Class F (155°C), UL 1446 (File E85315)
- Shrouded primary and secondary, Dual bobbin construction, no electrostatic shield required
- 100% Final Tested - Every transformer is tested on automated panels for induced voltage (shorted turns), exciting current, open circuit voltage (turns ratio), polarity (phasing) and dielectric strength
- Dual Secondaries - Series or Parallel as one winding
- Immersed in 100% solids epoxy resin to withstand most aqueous and solvent cleaning systems
- Flammability - Dual Bobbins and Shroud Material meets UL 94-VO
- Terminals - Solder Lug/Quick connect type - 0.250"
- Other primary and secondary voltages may be custom designed

All dimensions for reference only. []=mm



PRIMARY AND SECONDARY WINDINGS ARE DESIGNED TO BE USED AS ONE PRIMARY AND ONE SECONDARY WINDING WITH EITHER PARALLEL OR SERIES CONNECTION ONLY.

RMS RATING WITH SECONDARIES CONNECTED IN:



Part Number	VA	Series	Parallel
SPWC-1700	130	10Vct @ 13.0A	5V @ 26.0A
SPWC-1701	130	12.6Vct @ 10.3A	6.3V @ 20.6A
SPWC-1702	130	16Vct @ 8.1A	8V @ 16.2A
SPWC-1703	130	20Vct @ 6.5A	10V @ 13.0A
SPWC-1704	130	24Vct @ 5.4A	12V @ 10.8A
SPWC-1705	130	28Vct @ 4.6A	14V @ 9.2A
SPWC-1706	130	36Vct @ 3.6A	18V @ 7.2A
SPWC-1707	130	230Vct @ 570mA	115V @ 1.14A

THE DESIGN OF THIS PART IS INTENDED TO MEET THE LISTED SAFETY AGENCY REQUIREMENTS. PREM HAS NOT HAD THIS PART REVIEWED, APPROVED OR LISTED BY ANY SAFETY AGENCY.

- PRI TO SEC INSULATION: REINFORCED
- PRI TO SEC CREEPAGE: 10mm MIN. (MATERIAL GROUP IIIb)
- PRI TO SEC CLEARANCE: 10mm MIN.

SPWC-1700 Series

Notes

Designed to meet:
-UL 60950
-VDE 0805 (EN 60950)

FUSING THE TRANSFORMER TO MEET SAFETY AGENCY REQUIREMENTS IS THE RESPONSIBILITY OF THE CUSTOMER.

-1 Add term lgth R.R

PREM

MAGNETICS INCORPORATED
3521 N. CHAPEL HILL RD.
JOHNSBURG, IL 60050

**PREM PART SPWC-1700
INTERNATIONAL CHASSIS
SERIES**

Approved: **R. RANDOW**

Scale: None

Date: 12/01/2017