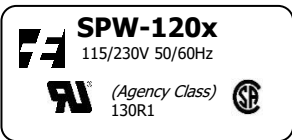
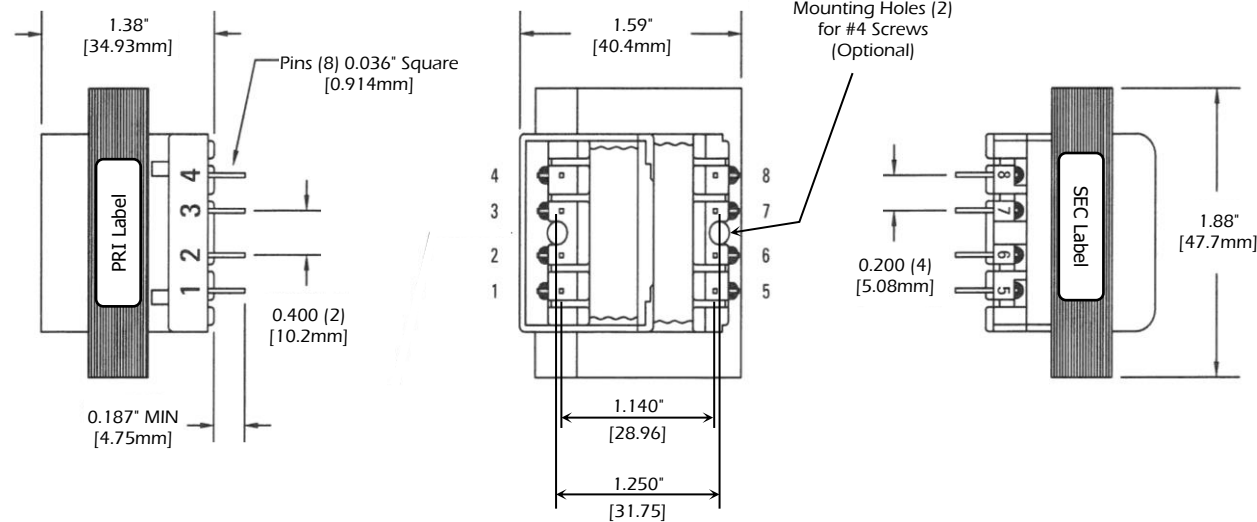


SPW-1200 Series Features:

- * Rating: 10VA
- * Dual 115/230V inputs, dual (series/parallel) outputs, (see schematic notes below).
- * Approved for US and Canada, International-capable.
- * Flame-retardant bobbin/shroud (UL 94 V0).
- * 100% tested for PRI-SEC hi-pot at 4000VAC.
- * Side-by-side inputs and outputs (no electrostatic shield required).
- * Coated to resist dust and moisture.



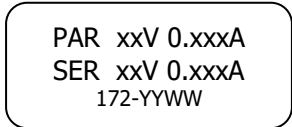
PRI Label

"x" is replaced by last digit of model number

Agency Classes:

(see Chart below, and Certification note)

- * Class 2
- ** Class 2 Not Wet, Class 3 Wet
- *** Class 3



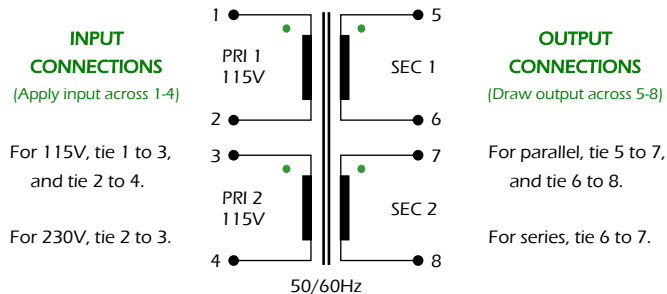
SEC Label

("YYWW" replaced by current date code)

Dimensions are for reference only.

MODEL	Series Rating	Parallel Rating
SPW-1200*	10VCT @ 1.0A	5V @ 2.0A
SPW-1201**	12.6VCT @ 0.80A	6.3V @ 1.6A
SPW-1202**	16VCT @ 0.62A	8V @ 1.25A
SPW-1203**	20VCT @ 0.50A	10V @ 1.0A
SPW-1204***	24VCT @ 0.42A	12V @ 0.84A
SPW-1205***	28VCT @ 0.36A	14V @ 0.72A
SPW-1206***	36VCT @ 0.28A	18V @ 0.56A

PRI 1 and PRI 2 must ALWAYS be inter-connected, either in parallel or series.
SEC 1 and SEC 2 must ALWAYS be inter-connected, either in parallel or series.



SPW-1200 Series

CERTIFICATIONS & DECLARATIONS

- * **UL 5085-3** Class 2 and Class 3, for U.S. and Canada, File E49606, or CSA File 063944.
- NOTE: Class 2/Class 3 recognitions require an external fuse to be added by the customer in the input circuit. If configured for 115V input, Bussmann MDL-2/10A. If configured for 230V, MDL-1/10A.*
- * **UL 1446** Class B (130°C) Insulation System, File E95662
- * **RoHS and REACH** Compliant
- * California **Prop 65** warning:

These products may contain chemicals known to the State of California to cause cancer, and birth defects or other reproductive harm.

REV	DATE	DESCRIPTION	BY
0	31-May-2021	Acquired from Prem Magnetics. Released for Production.	SDE

115/230V 50/60Hz
10VA



A PowerVolt Group Company
Bellevue, Iowa 52031 USA
ISO 9001 Registered since 1998