

# SPHV-277-1200

### CERTIFICATIONS & DECLARATIONS

\* **UL 1446** Class B (130°C) Insulation System, File E95662

*NOTE: Fusing these transformers to comply with safety agency requirements in the end product(s) is the responsibility of the customer.*

\* **RoHS** and **REACH** Compliant

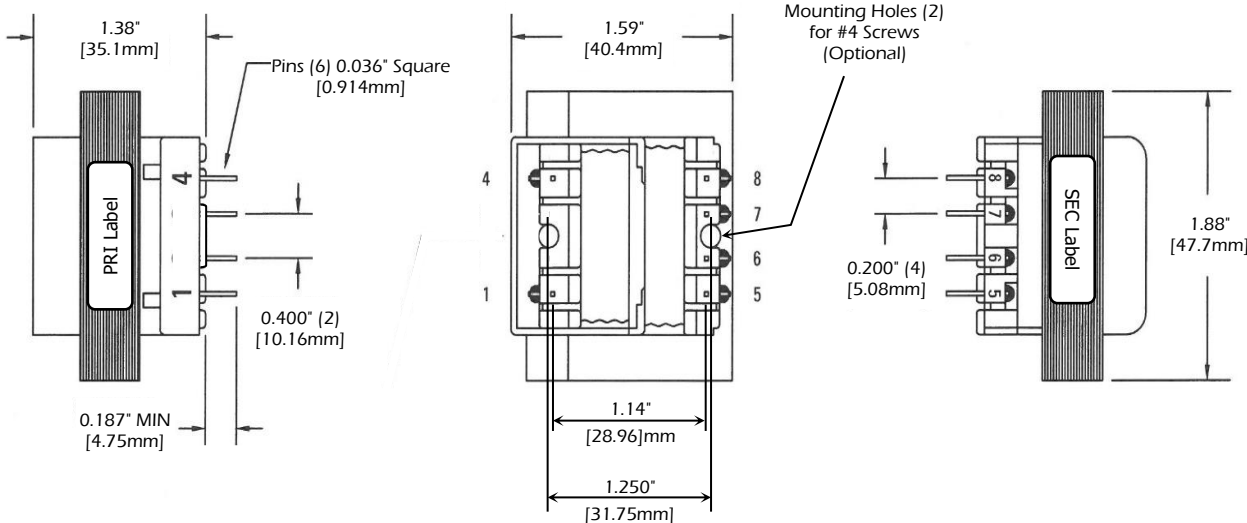
\* California **Prop 65** warning:

*These products may contain chemicals known to the State of California to cause cancer, and birth defects or other reproductive harm.*

0	31-May-2021	Acquired from Prem Magnetics. Released for Production.	SDE
REV	DATE	DESCRIPTION	BY

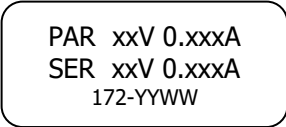
### SPHV-277-1200 Series Features:

- \* Rating: 10VA
- \* Single 277V input, dual (series/parallel) outputs, (see schematic notes below).
- \* US, Canada, and International-capable construction with shrouded PRI.
- \* Flame-retardant bobbin/shroud (UL 94 V0).
- \* 100% tested for PRI-SEC hi-pot at 4000VAC.
- \* Side-by-side inputs and outputs (no electrostatic shield required).
- \* Coated to resist dust and moisture.
- \* Same pin layout as SPW-1200 Series (115/230V inputs).



PRI Label

"x" is replaced by last digit of model number



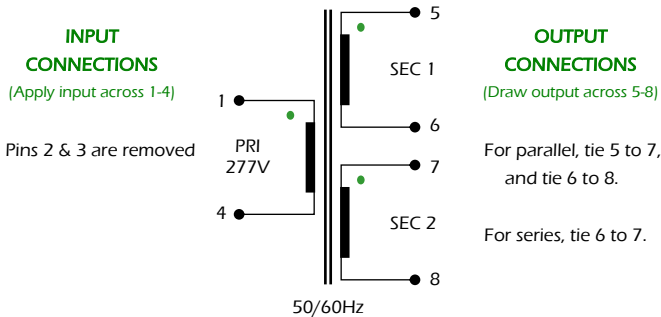
SEC Label

(\*YYWW" replaced by current date code)

Dimensions are for reference only.

MODEL	Series Rating	Parallel Rating
SPHV-277-1200	10VCT @ 1.000A	5V @ 2.000A
SPHV-277-1201	12.6VCT @ 0.800A	6.3V @ 1.600A
SPHV-277-1202	16VCT @ 0.625A	8V @ 1.250A
SPHV-277-1203	20VCT @ 0.500A	10V @ 1.000A
SPHV-277-1204	24VCT @ 0.420A	12V @ 0.840A
SPHV-277-1205	28VCT @ 0.360A	14V @ 0.720A
SPHV-277-1206	36VCT @ 0.280A	18V @ 0.560A
SPHV-277-1207	48VCT @ 0.210A	24V @ 0.420A
SPHV-277-1208	56VCT @ 0.180A	28V @ 0.360A
SPHV-277-1209	120VAC @ 0.084A	60V @ 0.168A

SEC 1 and SEC 2 must ALWAYS be inter-connected, either in parallel or series.



**277V 50/60Hz**  
**10VA**



A PowerVolt Group Company  
Bellevue, Iowa 52031 USA  
ISO 9001 Registered since 1998