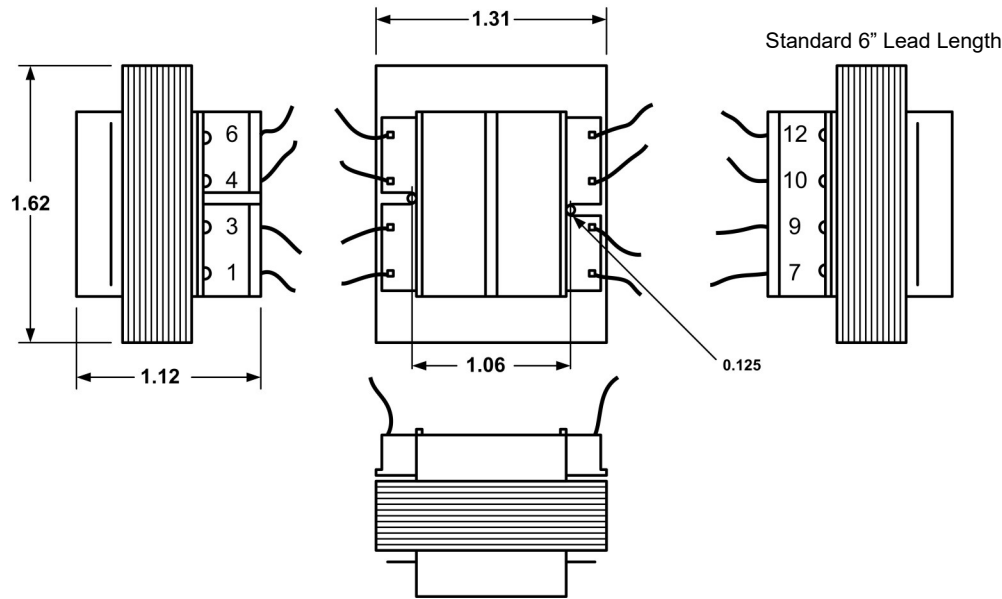
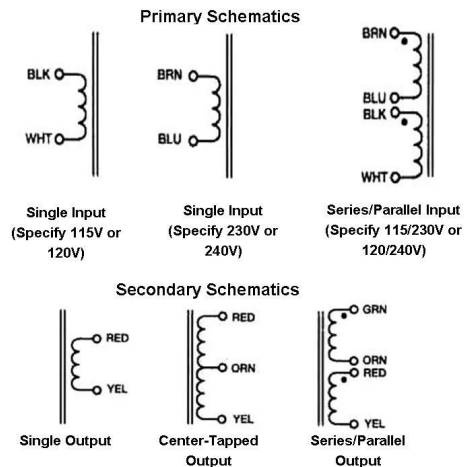


ADMIRAL CLASS - INTERNATIONAL LEAD WIRES, POWER TRANSFORMER



1. Electrical Specifications
 - A. Maximum Power: 2.5VA
 - B. Input Voltage and Frequency: 115V, 115/230V, 230V 50/60Hz
 - C. Hi-Pot: 4000Vrms 1 minute
2. Marking: Ensign Corp, part number (see table), date code
3. Agency Approval:
 - UL/cUL 5085-2 Recognized (File 47299)
 - UL 60950 Recognized (File E144070)
 - VDE 0805 Licensed (File 19019-3336-9002/A1C)
 - UL 1446 Recognized Insulation System (File 95662)



Part Number			Series Connection	Parallel Connection
115V	115/230V	230V		
IL002-1-010X	IL002-2-010X	IL002-3-010X	10VCT @ 0.25A	5V @ 0.50A
IL002-1-012X	IL002-2-012X	IL002-3-012X	12.6VCT @ 0.20A	6.3V @ 0.40A
IL002-1-016X	IL002-2-016X	IL002-3-016X	16VCT @ 0.15A	8V @ 0.30A
IL002-1-020X	IL002-2-020X	IL002-3-020X	20VCT @ 0.12A	10V @ 0.24A
IL002-1-024X	IL002-2-024X	IL002-3-024X	24VCT @ 0.10A	12V @ 0.20A
IL002-1-028X	IL002-2-028X	IL002-3-028X	28VCT @ 0.09A	14V @ 0.18A
IL002-1-036X	IL002-2-036X	IL002-3-036X	36VCT @ 0.07A	18V @ 0.14A

	POWER TRANSFORMER ADMIRAL CLASS		IL002-1-XXXX IL002-2-XXXX IL002-3-XXXX	
	CONTENTS OF THIS DRAWING ARE SUBJECT TO CHANGE WITHOUT PRIOR NOTICE		Ensign Corporation 201 ENSIGN RD., BELLEVUE, IA 52031	Dim: Inches Sheet 1 of 1
PROPRIETARY NOTICE: THIS DRAWING PRINT OR DOCUMENT AND SUBJECT MATTER DISCLOSED HEREIN ARE PROPRIETARY ITEMS TO WHICH ENSIGN RETAINS THE EXCLUSIVE RIGHT OF DISSEMINATION, MANUFACTURE AND SALE. THIS DRAWING, PRINT OR DOCUMENT IS SUBMITTED IN CONFIDENCE FOR CONSIDERATION BY THE RECIPIENT ALONE UNLESS PERMISSION FOR FURTHER DISCLOSURE IS EXPRESSLY GRANTED IN WRITING				