

General Purpose Enclosed Single Phase NEMA 3R Transformer

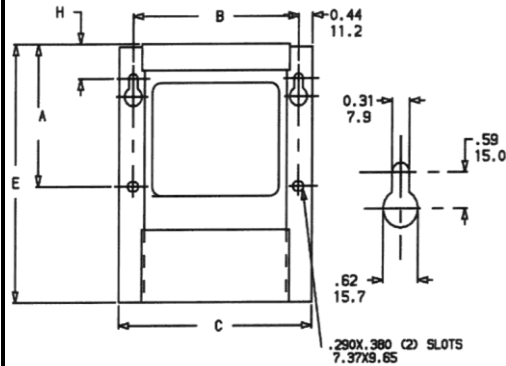
- UL/cUL 5085-2 Listed File E47299, CE marked.
- UL 1446 Recognized Class H 180°C Insulation System File E95662
- 50/60Hz Operation
- Lead Wires: UL3173 XLPE, #14 Gauge 125C Tin Stranded.
- Primary Lead wires Black in color and Secondary Lead wires RED in color.
- Lead Designation (numbering) embedded on Lead wires.
- Knockouts provided on Sides, bottom and back of the Enclosure .
- Hanging slots provided.

Power Rating: 500VA

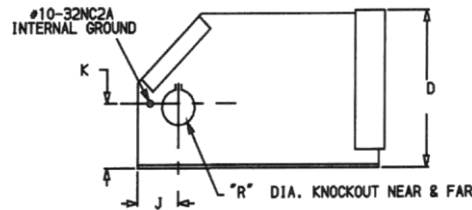


ENCLOSURE DIMENSIONS	
Dims	
A	3.50"
B	5.87"
C	6.87"
D	4.87"
E	8.37"
G	0.290" x 0.380"
H	1.12"
J	1.37"
K	2.00"
L	1.25"
M	1.03"
N	3.00"
P	5.38"
R	1.11"
S	1.11"

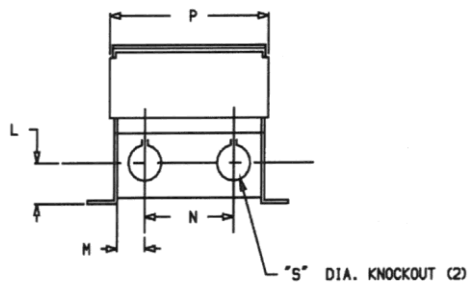
TOP VIEW



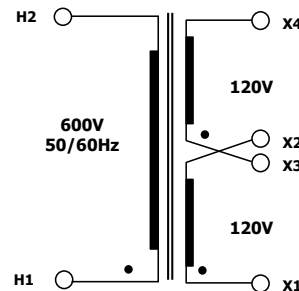
SIDE VIEW



BOTTOM VIEW



SCHEMATIC



<p>300 W Factory Road Addison, IL 60101 USA TEL: 630-628-9999 FAX: 630-628-9922</p>			
		<p>DESCRIPTION: NEMA 3R General Purpose Enclosed Transformers 600V 50/60Hz 120/240V 500VA</p>	
0	13-Sep-2024	MODEL: GP0500-D50EN	
Rev	DATE		