

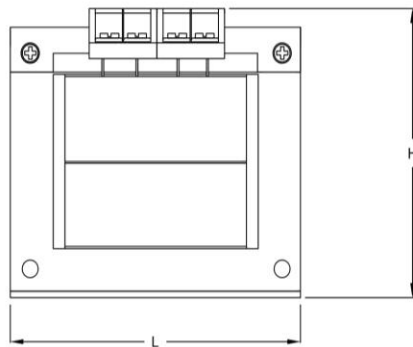
**Series: GP**  
**General Purpose**  
**Industrial Control Transformer**

Power Rating: **300VA**

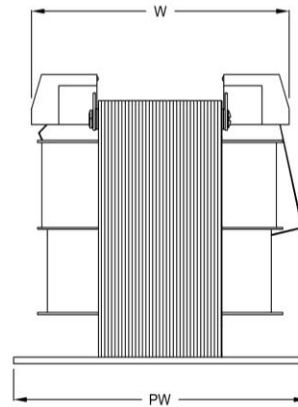
- UL/cUL 5085-2 Listed File E47299, CE marked.
- UL 1446 Recognized Class F 155°C Insulation System File E95662
- 50/60Hz Operation
- No Fuse on Primary and Secondary Side
- European Style Touch-Proof Terminals.



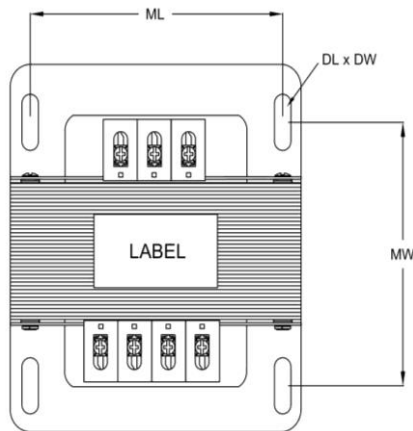
**FRONT VIEW**



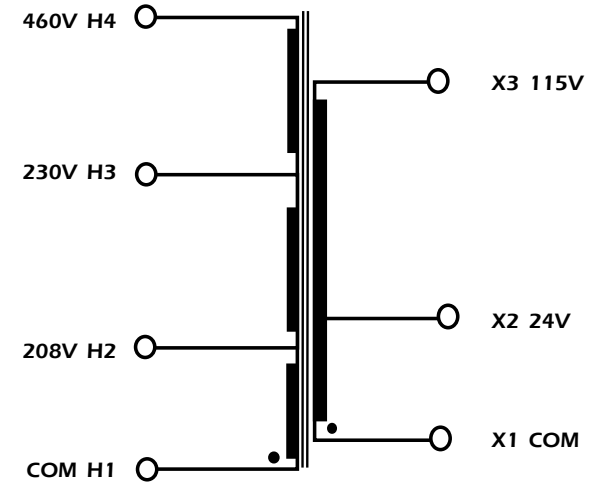
**SIDE VIEW**



**TOP VIEW**



DIMENSIONS	
L	4.500"
W	4.200"
H	4.440"
ML	3.750"
MW	3.250"
PW	4.130"
DL x DW	0.437"x0.203"



		<p>The Power for your System</p>	300 W Factory Road Addison, IL 60101 USA TEL: 630-628-9999 FAX: 630-628-9922 www.powervolt.com
		DESCRIPTION: General Purpose Industrial Transformers 208,230,460V 50/60Hz 24, 115V 300VA	
0	22-Mar-2024	<b>MODEL: GP0300-R00.Mxx</b>	
REV	DATE		