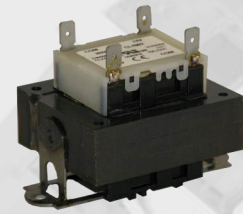


Powervoltgroup.com
One place for your all magnetic needs



POWERVOLT GROUP

























POWERVOLT

NSIGN

Wabash
transformer

A New Horizon in Power Transformers

























Table of Contents

Product	Series	Description	VA Rating	Approvals	Page
Industrial Control Transformer	GP	Standard	25 - 2000	   	8 - 25
		Econoline	300 - 1500		26 - 31
		Enclosed Control Transformers	250 - 1500		32 - 35
Class 2 Transformers	CL	Inherently or Non-inherently Limited Lead Wires or Quick-Connect Terminals	5 - 30	Class 2    	37 - 43
			40 - 50		44 - 53
			60 - 75		54 - 55
			80 - 100		56 - 57
	P (Captain Class)	Printed Circuit Mount	1.1 - 2.4		58
Printed Circuit Mount Standard Profile	SZ & DSZ	Econoline	1.1 - 36	   	60 - 61
	P (Captain Class)	High Performance	1.1 - 36		63 - 65
	SPW-S & SPW-D		1.1 - 36		66 - 67
	SLP	24V Input	1.1 - 12		68 - 69
	MT & DMT	24V Input	1.0 - 24		70 - 71
Printed Circuit Mount Low Profile	FZ	Econoline	2.5 - 48	   	72 - 73
	U (Navigator Class)	High Performance	2.5 - 48		75 - 77
	SPW - 050/100/150/300	U.S. Domestic	2.5 - 12		78 - 79
	SLP	24V Input	2.5 - 12		80 - 81
Chassis Mount Quick Connect	PP & DPP	Econoline	2.4 - 100	   	82 - 83
	T (Commodore Class)	High Performance	2.4 - 100		85 - 88
	SPWC - 4600	General Purpose	40		89
	CSLP	24V Input	2.4 - 12		90 - 91
Chassis Mount Lead Wires	PSL & PDL	Econoline	1.2 - 100	   	92 - 94
	L (Commander Class)	High Performance	2.4 - 100		95 - 99

Any application, Any requirement, Contact us for our Custom Designs

POWERVOLT GROUP

Table of Contents

Product	Series	Description	VA Rating	Approvals	Page
International Series Printed Circuit Mount Standard Profile	IP (Admiral Class)	High Performance	2.5 - 56	   	101 - 103
	SPW - 1000/3600/ 1100/1200	Shrouded Primary	2.5 - 20		104 - 105
	SPHV	277V Input	2.5 - 20		106 - 107
International Series Printed Circuit Mount Low Profile	SPW - 3050/3100/3150	Econoline	2.5 - 9.0	   	108 - 109
	SPW - 2100/2300/2400		6.0 - 24		110 - 111
International Series Chassis Mount Quick Connect	IT (Admiral Class)	High Performance	25 - 175	   	113 - 115
	SPWC - 4500/1400/ 1500/1600/1700		6 - 130		116 - 119
International Series Chassis Mount Lead Wires	IL (Admiral Class)	Panel Mount	2.5 - 56	   	120 - 123
	IL (Admiral Class)	Chassis Mount	25 - 175		124 - 125
Isolation Transformers	P24H	Printed Circuit Mount - 6 Pins	1.0 - 36	   	126
	P24X	Printed Circuit Mount - 12 Pins	2.4 - 30		127
	P24T	Chassis Mount - Quick Connect	2.4 - 100		128
	P24L	Chassis Mount - Lead Wires	2.4 - 100		129
DC Power Supply	BVA	Regulated Power Supply	5 - 600	   	130 - 139
	BVU	Unregulated Power Supply (Open Frame)	12 - 1000		140 - 141
	STP	StepperPower	88 - 500		142 - 143
	BVU	Stepping Motors Power Supply	120 - 700		144 - 145
	BVZ	Three Phase Open Frame	120 - 720		146 - 147
Cross Reference					148 - 160

Any application, Any requirement, Contact us for our Custom Designs

POWERVOLT GROUP

OUR BRANDS

POWERVOLT

ENSIGN

Wabash
Transformer



PREM
MAGNETICS
Standard Parts Only

Explore Our Brands

PowerVolt *The Power for your system*

PowerVolt is a manufacturer of Power Transformers and Power Supplies. We are proud to say that we manufacture standard (off-the-shelf) and custom transformers and power supplies. Founded in 1973 PowerVolt grew steadily, quickly acquiring a strong reputation for it's high standards of quality and reliable products. With Power Volt, the service does not stop after the sale. We develop long-term partnerships with each client.

Facilities:

Headquartered in Addison, Illinois, USA, with 30,000 sq. ft. of manufacturing and office space. We leverage domestic and international partnerships to optimize supply chain design and costs for our customers.

Ensign *The Flagship of Custom Magnetics*

As the Flagship of Custom magnetics, Ensign has come a long way since 1939. We have forged a reputation as a world-class manufacturer of electrical transformers, inductors and adapters for an ever-broadening array of industrial and commercial applications. Today, Ensign is a customer driven, ISO 9001:2015 registered organization that offers OEMs low-volume and high-volume production from domestic and off-shore facilities. Both facilities meet all applicable safety agency requirements, and share a common commitment to continuous improvement.

Facilities:

Located in Bellevue, Iowa with over 23,500 sq. ft of manufacturing and office space.

Wabash *The Mark of Quality*

Wabash Transformer Inc. was founded in 1966, and is presently located in Addison, Illinois. This facility offers a full range of Custom and Standard power transformers. Wabash Transformer applications include HVAC, Medical, Pool and Spa, Metering equipment, Household appliances and many others. "The Mark of Quality" is more than just a slogan, it is the driving force behind all our efforts. We are committed to bring you the best quality at competitive prices.

Facilities:

Before 2016, facility was located in Clarence, Iowa. In 2016, it was merged with Powervolt facility in Addison, Illinois with over 30,000 sq. ft of manufacturing and office space.



Automatic Winding Machines

Automatic Winding Machines

Automatic Welding Machine

Automatic Assembly Lines

Automatic Welding Machine

Manufacturing

PowerVolt

High volume manufacturing with latest automation and technology. Capable of producing 12000 units/shift. All our products are Designed, Manufactured, and 100% Tested in each of our locations in U.S.A. This allows stringent control over quality and service. Also, allowing us to schedule just-in-time delivery to save inventory cost to our valuable customers. Our success is based on our quality.

Ensign

For cellular manufacturing with vision, come to Bellevue, Iowa. Ensign's up-to-date CNC production and inspection systems have dramatically raised the bar for product consistency, while substantially enhancing our ability to "flex" with customers' ever-changing production schedules. While new technology clearly defines Ensign's stance on process improvement.

Wabash Transformer

Wabash achieve high manufacturing through extensive automation of coil winding, assembly lines and testing. State of the art winding and stack welding machines allow a production capacity of twelve thousand parts per shift. Highly skilled operators with 30 years average experience take personal pride in quality products they produce. We at Wabash Transformer believe: Quality goes in before name goes on.

POWERVOLT GROUP

Engineering

With our 40 years experience in designing power transformers, we offer an ideal solution for your application through our pre-engineered off the shelf product line or custom designed to meet your specifications. The custom designs are thoroughly tested in our laboratory and then submitted for your approval. Rapid prototyping assures fast development of your end product. Our goal is to design products to meet or exceed your expectations providing highest quality at economical prices.

Rest assured, nothing is left to chance. Custom designs are first sent to the prototype laboratory and are thoroughly evaluated and tested for performance, and then submitted for your approval. We are not satisfied until you are satisfied. Through concurrent engineering, all phases of the process - design, production and quality assurance -- come together to ensure the highest standards of product integrity, extended service life and cost economy. The goal is nothing less than routinely exceeding customer expectations.

Quality goes in before the name goes on.

PowerVolt Group achieve high manufacturing through extensive automation of coil winding, assembly lines and testing. State of the art winding and stack welding machines allow a production capacity of ten thousand parts per day.

Highly skilled operators with 30 years average experience take personal pride in quality products they produce. We at PowerVolt Group believe: Quality goes in before name goes on.

Agency Approvals

PowerVolt Group Engineers can design products to meet domestic and international safety agency standards. The current product line has been tested and recognized by the following Safety Agencies:



Partner with Us & Connect with Success!

- Zero defect, 100% tested
- Highly competitive pricing
- 3 day shipment
- On-time delivery
- Short lead time
- Flexibility to adapt to customer demands

Bringing you the best product and support

Sales:

Email: sales@powervoltgroup.com
Phone: (630) 628 - 9999
Fax: (630) 628 - 9922

Technical Support

Phone: (630) 628 - 9999
Fax: (630) 628 - 9922



POWERVOLT GROUP

Terms and Conditions

How to Order: Contact your local distributor or representative for immediate order placement or price and delivery information. Please refer to PowerVolt Group distributor and representative listing for the office nearest you. For factory direct orders or technical assistance, please contact our sales office.

Prices: F.O.B. Factory, Illinois. All prices listed are for domestic shipments only. Prices and specifications are subject to change without notice. Federal, state, and local taxes are not included and will be added where applicable. Additional charges may apply for rush orders and special handling. Non-stock and custom products will incur non refundable engineering charges. Export orders will incur an additional \$50.00 handling charge.

Discounts: PowerVolt Group offers liberal discounts to quantity buyers. OEM contracts are available. Consult PowerVolt Group or your local representative/distributor for prompt quotations

Terms: Net 30 days, subject to credit approval. Payments in U.S. dollars only. All sales are subject to PowerVolt Group terms and conditions exclusively.

Delivery: Scheduled orders are acceptable with a firm delivery schedule.

Shipping: All orders are shipped surface freight collect unless otherwise instructed. Location permitting, small shipments are made by United Parcel Service (UPS); larger shipments, by insured motor. Shipments can be made by air upon request. Every effort is made to adequately pack products. However, if the products are received in damaged condition, it is the customers responsibility to contact the carrier and file a claim for damages.

Lead Times: Please consult factory for current lead times.

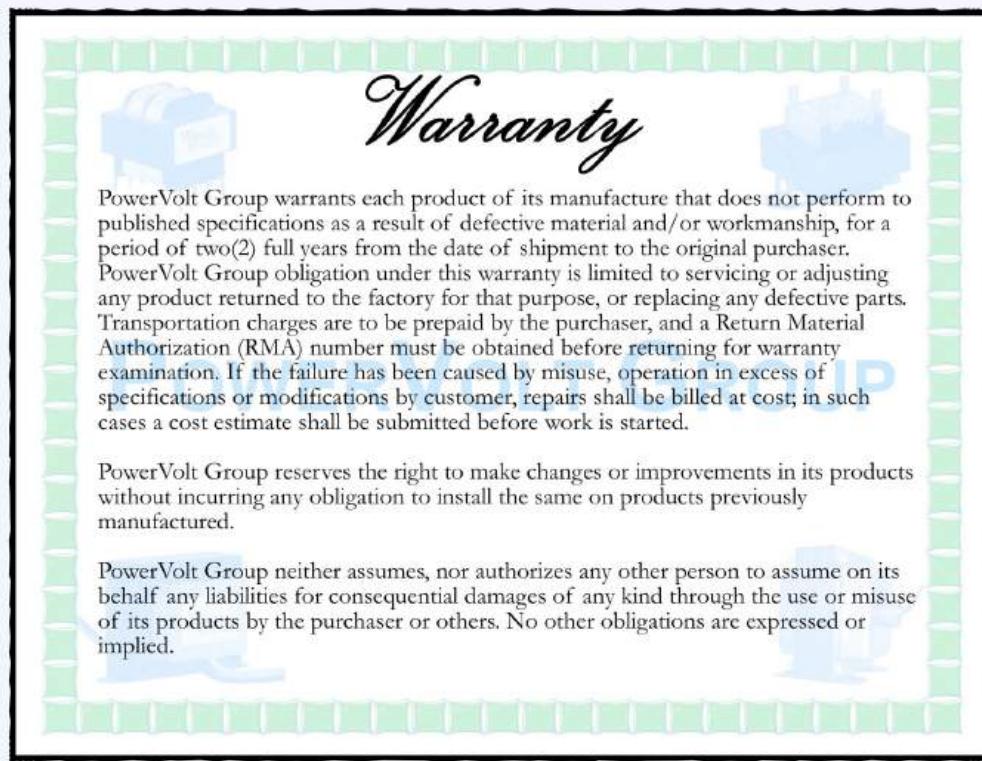
Quotations: All written quotations from PowerVolt Group shall be valid for 30 days from the date of quotation. Inquiries for customs or modifications of the existing products are welcome.

Samples: No charge samples will be granted if product total cost does not exceed \$10.00. customer is responsible for shipping charges.

Repair Service: All products to be returned for repair require a Return Material Authorization (RMA) number prior to return shipment. Contact the factory for details and authorization number. Products ordered in error are subject to a 25% restocking charge. Non-standard, custom, or modified products cannot be returned for credit.

Cancellation Policy: A 30 day notice is necessary for cancellation of pre-engineered items. A 25% restocking charge will apply. For volume orders, the quantity shipped versus the quantity ordered will determine price difference and the customer will be charged accordingly. Custom products are non-cancelable and non-returnable.

Special stocking, Kanban or Consignment agreements will prevail under all circumstances.



POWERVOLT GROUP

POWERVOLT GROUP

Corporate Mission/Vision and Guiding Values

Mission:

To be the highest quality and most cost effective supplier to our customers

Achieved through:

- Technical and Innovative Solutions
- World Class Manufacturing
- Customer Focus
 - Respectful Communication
 - Ease of doing Business

Guided by:

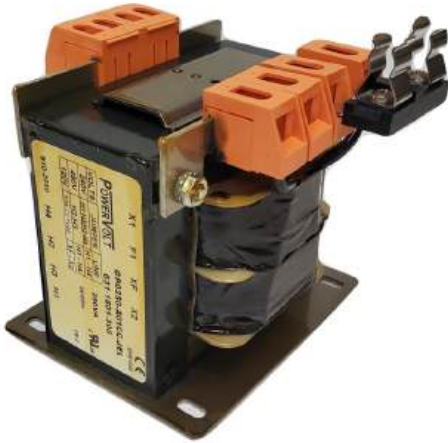
- Excellence in Quality
 - Compliance to Requirements
 - Continuous Improvement
 - Personal Pride in our Work
- Highest Degree of Ethics
 - Passion for our Partners' Mutual Success
 - Willing to take on Big Challenges and deliver Results
 - Social, Environmental Responsibility

© Copyright PowerVolt Group. 2024

CONFIGURABLE CONTROL TRANSFORMERS



POWERTVOLT
The Power for your System



Create Your Own:

- **Select desired input.**
- **Select desired output.**
- **Select desired VA (Watts).**

Agency Approvals:

- **UL/cUL; CE mark upon request.**
- **Meets or Exceeds NEMA, ANSI, NMBTA and JIC.**

Features:

- **Input Voltages Available:**
120/208/220/230/240/277/347/380/415/416/440/460/480/550/575/600
- **Output Voltages Available:** 12, 24, 25, 85, 95, 100, 110, 115, 120, 130, 220, 240
- **Frequency 50/60 Hz**
- **Single or multiple primaries/secondaries**
- **Finger safe terminal blocks (configurable to accommodate various wire gauges)**
- **10 year warranty**

Benefits:

- **Reduce SKU count by consolidating multiple configurations**
- **Finger safe terminals**
- **Competitive prices for OEM customers**
- **Stocking and supply chain programs available upon request**

Options:

- **Fuse blocks (CC style)**
- **CC fuse block cover (with and without indicators)**
- **Lead Wires instead of terminal blocks**



POWERTVOLT GROUP

Part Numbering Chart:

This chart illustrates our part numbering system

Example: GP0500-A21CC-P: UL Listed General Purpose Transformer, Primary 220/440, 230/460, 240/480 VAC @ 50/60Hz Secondary 110, 115, 120 VAC, 500VA, Two Primary Fuses & One Secondary Fuse, Fuse type Class CC, Standard Mounting

Note: Specifications and availability subject to change.

Part No.	XXXX	XX	XX	XX	X
1. Series: GP					
2. VA Rating					
0025	25 VA	0350	350 VA		
0050	50 VA	0500	500 VA		
0100	100 VA	0750	750 VA		
0150	150 VA	1000	1000 VA		
0200	200 VA	1500	1500 VA		
0250	250 VA	2000	2000 VA		
0300	300 VA				
3. Group (Voltage Configuration)					
Group	Primary Voltage-50/60Hz	Secondary Voltage	Group	Primary Voltage - 50/60Hz	Secondary Voltage
A	220/440, 230/460, 240/480 VAC	110, 115, 120 VAC	P	277 VAC	240 VAC
B	230, 460, 575 VAC	95, 115 VAC	U	120/240 VAC	120/240 VAC
C	480 VAC	240 VAC	W	240, 347, 380 VAC	120/240 VAC
D	600 VAC	240 VAC	Y	550, 575, 600 VAC	12/24 VAC
E	208, 230, 460 VAC	115 VAC	Z	208/416 VAC	120/240 VAC
F	550, 575, 600 VAC	110, 115, 120 VAC	KH	240, 480, 600 VAC	100, 120 VAC
G	380, 415 VAC	110/220 VAC	GM	347, 380 VAC	120/240 VAC
H	208, 277, 380 VAC	120 VAC	HK	347, 380 VAC	12/24 VAC
J	240/480 VAC	24 VAC	NJ	208/416 VAC	12/24 VAC
K	120/240 VAC	24 VAC	PH	277 VAC	120 VAC
M	240/480 VAC	120/240 VAC	EJ	120/208/220-240/277/347/380-415/440-80/550-600 VAC	24, 115 VAC
N	208, 277, 380 VAC	120/240 VAC	EG	120/208/220-240/277/347/380-415/440-480/ 550-600 VAC	115/230 VAC
T	120/240 VAC	12/24 VAC	EB	120/208/220-240/277/347/380-415/440-480/ 550-600 VAC	85, 130 VAC
Q	240/480 VAC	25, 120 VAC			
R	208, 230, 480 VAC	24, 115 VAC			
4. Fuses:					
Z	Number of Primary Fuses				
A	Number of Secondary Fuses				
00	No Fuse				
5. Fuse Type:					
CC	Class CC Fuse				
AB	3 AB Slow Blow Fuse				
BLANK	No Fuse				
6. Mounting:					
P	Standard				
S	Siemens Mounting Compatible				
M	Micron Mounting Compatible				
H	Hammond Mounting Compatible				

Any application, Any requirement, Contact us for our Custom Designs

Industrial Control Transformers - Standard Series: GP

- Power Rating 25VA to 2000VA
- Frequency 60Hz & 50/60 Hz
- High inrush current capability
- Voltage regulation exceeds NEMA ST-1
- IEC Touch proof terminals
- International input/output voltages
- Copper coils for excellent thermal characteristics
- Insulation Class B (130°C), F(155°C), H(180°C), N(200°C)
- Optional input/output fuse
- Fuse block kits per request & easy installation
- Heavy gauge steel mounting plate to match various mounting dimensions
- 10 year warranty



Agency Approvals:

- UL/cUL 5085-2 Listed, CE marked, UL File E47299

Applications:

The international series GP transformers are especially suited for requiring high inrush current and output voltage stability. This is typically the case when electromagnetic devices such as relays, solenoids, contactors, bells, signals and alarm systems are initially energized.

Selecting the right transformer:

To correctly size a control transformer best suited for an application, In addition to the minimum voltage required to operate the circuit, three characteristics of the load circuit must be determined. These are total steady state (sealed) VA, total inrush VA and inrush load power factor. (The operating VA data for the devices should be available from the manufactures)

- Total steady state (sealed) VA is the volt-amperes that the transformer continuous operation over extended period of time.
- Total inrush VA in the volt-amperes that the control transformer must deliver upon initial energization of the load circuit. Typically energizations of electromagnetic Devices take 20-50milliseconds and can draw any where from 3 to 10 times the nominal operating current. (Inrush VA data should be available from the device manufacturer)
- Inrush load power factor is different to determine without complex vector analysis of all the load components. Generally such an analysis is not feasible. Therefore a safe assumption is 40% load power factor.

Six easy steps:

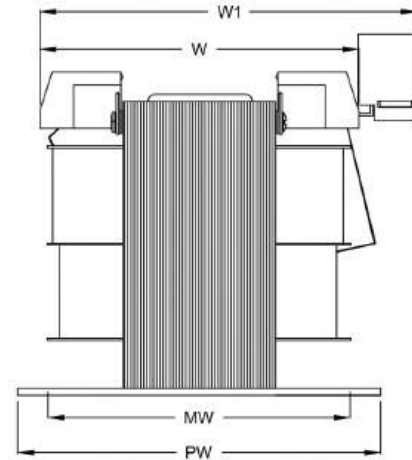
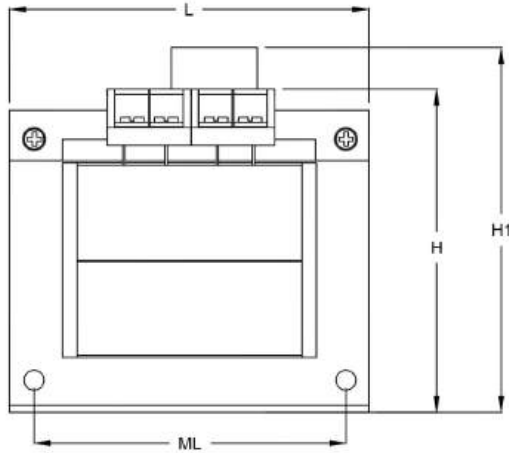
Once the three variables are determined, follow these steps to select the proper transformer.

- Determine the primary (input line) and secondary (output) Voltage required along with supply frequency. (i.e. 50 or 60 Hz)
 - Calculate total sealed VA of the load circuit by adding the sealed steady-state VA of all devices that will be energized simultaneously.
 - Calculate the arithmetic sum of the inrush VA of all components that will be energized at the same time. Make sure to add the VA load of non-inductive devices that do not have inrush VA (such as times, lamps etc.)
- Take into consideration start-up sequence to determine the maximum point of inrush of the load circuit. If the inrush current for the devices is unknown, then it is recommended to use 40% inrush power factor.

- Calculate the total inrush VA using one of the two methods:
 - Total inrush VA = $\sqrt{(VA \text{ sealed})^2 + (VA \text{ inrush})^2}$ or
 - Total inrush VA = VA sealed + VA inrush (method B will result in a slightly oversized transfer)
- Adjust for voltage regulation by referring to this transformer regulation data table below. If the nominal supply voltage does not fluctuate more than 5%, then refer to the 90% secondary voltage column for correct rating. If the nominal supply voltage varies up to 10%, then the 95% secondary voltage column should be used to properly site the transformer. Current standards require be electromagnetic devices to operate reliably at 85% of their rated nameplate voltage. In this case the 85% secondary voltage column should be referenced to correctly size the transformer.
- Select the VA rating that appropriate secondary voltage column, locate the VA rating that is closest to, but not less than,
 - The total sealed VA calculated in step 2
 - The total inrush VA calculated in step 4

REGULATION DATA TABLE

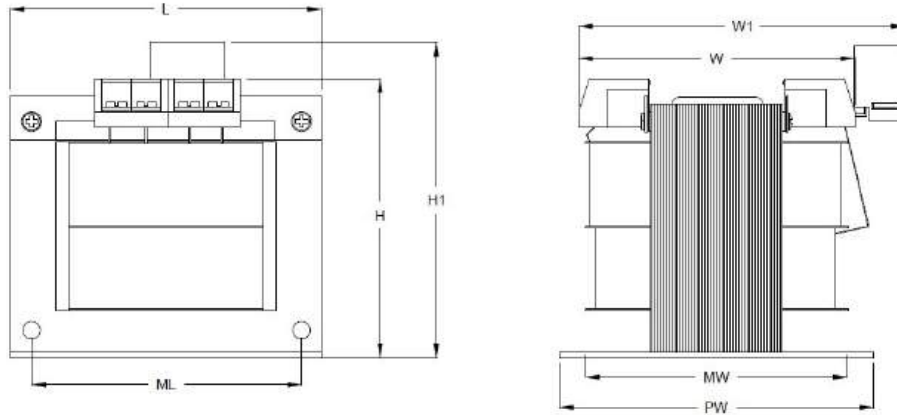
VA Rating	INRUSH VA @ 40% PF		
	85% Secondary Voltage	90% Secondary Voltage	95% Secondary Voltage
25	160	130	95
50	270	210	160
75	435	365	255
100	655	520	370
150	1300	1010	700
200	1975	1500	1020
250	2680	2030	1340
300	3180	2430	1610
350	3665	2820	1895
500	6300	5035	3305
750	10555	7920	5050
1000	15225	11160	6000
1500			
2000			



* Secondary Fuse = Please add 0.60" to "W" to get "W1" and 1.1" to "H" to get "H1".

Group	VA	Overall Dimensions (in inches)			Mounting Dimensions (in inches)			Mtg. Slot (4 PLCS)
		L	W	H	ML	MW	PW	
A, C, D, F, G, J, K, M, T, P, U, Y, Z, GM, HK, NJ, PH	25	3.00	2.95	3.00	2.5	1.75	2.57	0.437 X 0.203
	50	3.00	3.45	3.00	2.50	2.00	2.84	0.437 X 0.203
	75	3.00	3.70	3.00	2.50	2.50	3.31	0.437 X 0.203
	100	3.75	3.50	3.81	2.81	2.38	3.20	0.437 X 0.203
	150	3.75	3.95	3.81	3.13	2.88	3.70	0.437 X 0.203
	200	4.50	3.70	4.44	3.75	2.50	3.31	0.437 X 0.203
	250	4.50	3.70	4.44	3.75	2.88	3.70	0.437 X 0.203
	300	4.50	4.20	4.44	3.75	3.25	4.13	0.437 X 0.203
	350	4.50	4.75	4.44	3.75	3.75	4.56	0.437 X 0.203
	500	5.25	4.75	5.06	4.38	4.25	5.69	1.000 X 0.312
750	5.25	5.25	5.35	4.38	5.38	6.81	1.000 X 0.312	
1000	6.38	4.82	6.39	5.31	4.40	5.78	1.000 X 0.312	
1500	6.38	5.20	6.39	5.31	4.75	6.13	1.000 X 0.312	
2000	7.06	5.75	7.20	5.81	5.25	6.62	1.000 x 0.312	

Group	VA	Overall Dimensions (in inches)			Mounting Dimensions (in inches)			Mtg. Slot (4 PLCS)
		L	W	H	ML	MW	PW	
B, E, H, N, Q, R, W, KH	25	3.00	3.30	3.00	2.50	2.00	2.84	0.437 X 0.203
	50	3.00	4.00	3.00	2.50	2.93	3.74	0.437 X 0.203
	75	3.75	3.50	3.81	3.13	2.45	3.26	0.437 X 0.203
	100	3.75	3.80	3.81	3.13	2.69	3.50	0.437 X 0.203
	150	3.75	4.30	3.81	3.13	2.88	3.70	0.437 X 0.203
	200	4.50	4.30	4.44	3.75	2.88	3.70	0.437 X 0.203
	250	4.50	4.80	4.44	3.75	3.25	4.13	0.437 X 0.203
	300	5.25	4.30	5.06	4.38	3.20	4.01	0.437 X 0.203
	350	5.25	4.30	5.06	4.38	3.20	4.01	0.437 X 0.203
	500	5.25	5.40	5.06	4.38	4.25	5.69	1.000 X 0.312
	750	5.25	6.40	6.45	4.38	5.38	6.76	1.000 X 0.312
	1000	6.38	4.90	6.39	5.31	4.40	5.78	1.000 X 0.312
	1500	6.38	6.30	6.39	5.31	5.75	7.13	1.000 X 0.312
2000	7.06	5.75	7.20	5.81	5.25	6.62	1.000 x 0.312	



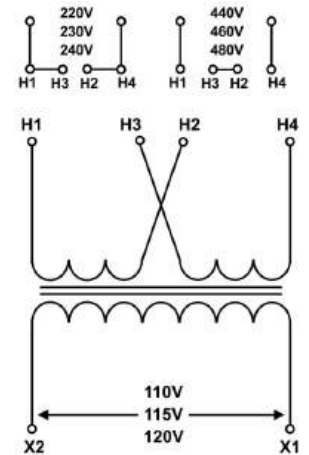
* Secondary Fuse = Please add 0.60" to "W" to get "W1" and 1.1" to "H" to get "H1".

Group	VA	Overall Dimensions (in inches)			Mounting Dimensions (in inches)			Mtg. Slot (4 PLCS)
		L	W	H	ML	MW	PW	
EB, EG, EJ	25	3.00	3.20	3.00	2.50	2.19	3.00	0.437 x 0.203
	50	3.00	4.20	3.00	2.50	3.19	4.00	0.437 x 0.203
	75	3.75	3.45	3.81	3.13	2.44	3.25	0.437 x 0.203
	100	3.75	3.70	3.81	3.13	2.69	3.50	0.437 x 0.203
	150	3.75	4.20	3.81	3.13	3.19	4.00	0.437 x 0.203
	200	4.50	4.20	4.44	3.75	3.19	4.00	0.437 x 0.203
	250	4.50	4.70	4.44	3.75	3.69	4.50	0.437 x 0.203
	300	5.25	4.20	5.10	4.38	3.19	4.00	0.437 x 0.203
	350	5.25	4.20	5.10	4.38	3.19	4.00	0.437 x 0.203
	500	5.25	6.20	5.10	4.38	5.75	7.13	1.000 x 0.312
	750	6.38	4.70	6.45	5.31	4.25	5.63	1.000 x 0.312
	1000	6.38	4.82	6.45	5.31	4.37	5.75	1.000 x 0.312
1500	6.38	6.20	6.45	5.31	5.75	7.13	1.000 x 0.312	

GROUP: A

Primary Voltage : 220/440 , 230/460 , 240/480 V @ 50/60Hz ; Secondary Voltage : 110 , 115 , 120 V

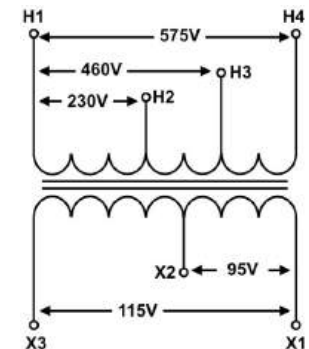
VA	Part Number	Overall Dimensions			Mounting Centers			Mtg. Slot (4 PLCS)	Approx Wt. Lbs
		L	W	H	ML	MW	PW		
25	GP0025-A00	3.00	2.95	3.00	2.5	1.75	2.57	0.437 X 0.203	1.90
50	GP0050-A00	3.00	3.45	3.00	2.50	2.00	2.84	0.437 X 0.203	2.90
75	GP0075-A00	3.00	3.70	3.00	2.50	2.50	3.31	0.437 X 0.203	3.40
100	GP0100-A00	3.75	3.50	3.81	2.81	2.38	3.20	0.437 X 0.203	4.60
150	GP0150-A00	3.75	3.95	3.81	3.13	2.88	3.70	0.437 X 0.203	6.10
200	GP0200-A00	4.50	3.70	4.44	3.75	2.50	3.31	0.437 X 0.203	7.80
250	GP0250-A00	4.50	3.70	4.44	3.75	2.88	3.70	0.437 X 0.203	8.20
300	GP0300-A00	4.50	4.20	4.44	3.75	3.25	4.13	0.437 X 0.203	10.50
350	GP0350-A00	4.50	4.75	4.44	3.75	3.75	4.56	0.437 X 0.203	12.60
500	GP0500-A00	5.25	4.75	5.06	4.38	4.25	5.69	1.000 X 0.312	16.70
750	GP0750-A00	5.25	5.25	5.35	4.38	5.38	6.81	1.000 X 0.312	19.70
1000	GP1000-A00	6.38	4.82	6.39	5.31	4.40	5.78	1.000 X 0.312	26.00
1500	GP1500-A00	6.38	5.20	6.39	5.31	4.75	6.13	1.000 X 0.312	30.00
2000	GP2000-A00	7.06	5.75	7.20	5.81	5.25	6.62	1.000 X 0.312	44.50



GROUP: B

Primary Voltage : 230 , 460 , 575 V @ 50/60Hz ; Secondary Voltage : 95 , 115 V

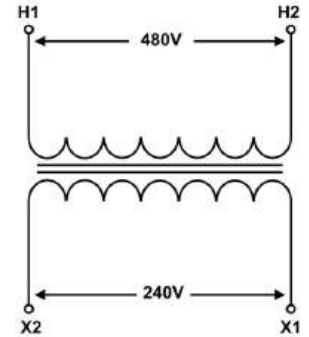
VA	Part Number	Overall Dimensions			Mounting Centers			Mtg. Slot (4 PLCS)	Approx Wt. Lbs
		L	W	H	ML	MW	PW		
25	GP0025-B00	3.00	3.30	3.00	2.50	2.00	2.84	0.437 X 0.203	2.40
50	GP0050-B00	3.00	4.00	3.00	2.50	2.93	3.74	0.437 X 0.203	4.10
75	GP0075-B00	3.75	3.50	3.81	3.13	2.45	3.26	0.437 X 0.203	4.50
100	GP0100-B00	3.75	3.80	3.81	3.13	2.69	3.50	0.437 X 0.203	5.40
150	GP0150-B00	3.75	4.30	3.81	3.13	2.88	3.70	0.437 X 0.203	7.00
200	GP0200-B00	4.50	4.30	4.44	3.75	2.88	3.70	0.437 X 0.203	10.20
250	GP0250-B00	4.50	4.80	4.44	3.75	3.25	4.13	0.437 X 0.203	12.30
300	GP0300-B00	5.25	4.30	5.06	4.38	3.20	4.01	0.437 X 0.203	13.60
350	GP0350-B00	5.25	4.30	5.06	4.38	3.20	4.01	0.437 X 0.203	14.00
500	GP0500-B00	5.25	5.40	5.06	4.38	4.25	5.69	1.000 X 0.312	20.00
750	GP0750-B00	5.25	6.40	6.45	4.38	5.38	6.76	1.000 X 0.312	25.70
1000	GP1000-B00	6.38	4.90	6.39	5.31	4.40	5.78	1.000 X 0.312	27.10
1500	GP1500-B00	6.38	6.30	6.39	5.31	5.75	7.13	1.000 X 0.312	39.10
2000	GP2000-B00	7.06	5.75	7.20	5.81	5.25	6.62	1.000 X 0.312	46.90



GROUP: C

Primary Voltage : 480 V @ 50/60Hz ; Secondary Voltage : 240 V

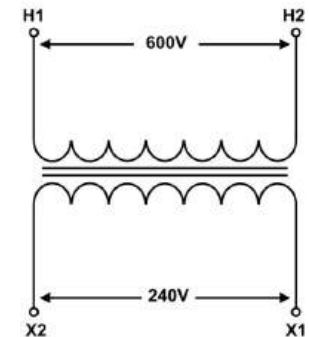
VA	Part Number	Overall Dimensions			Mounting Centers			Mtg. Slot (4 PLCS)	Approx Wt. Lbs
		L	W	H	ML	MW	PW		
25	GP0025-C00	3.00	2.95	3.00	2.5	1.75	2.57	0.437 X 0.203	1.90
50	GP0050-C00	3.00	3.45	3.00	2.50	2.00	2.84	0.437 X 0.203	2.90
75	GP0075-X00	3.00	3.70	3.00	2.50	2.50	3.31	0.437 X 0.203	3.40
100	GP0100-C00	3.75	3.50	3.81	2.81	2.38	3.20	0.437 X 0.203	4.60
150	GP0150-C00	3.75	3.95	3.81	3.13	2.88	3.70	0.437 X 0.203	6.10
200	GP0200-C00	4.50	3.70	4.44	3.75	2.50	3.31	0.437 X 0.203	7.80
250	GP0250-C00	4.50	3.70	4.44	3.75	2.88	3.70	0.437 X 0.203	8.20
300	GP0300-C00	4.50	4.20	4.44	3.75	3.25	4.13	0.437 X 0.203	10.50
350	GP0350-C00	4.50	4.75	4.44	3.75	3.75	4.56	0.437 X 0.203	12.60
500	GP0500-C00	5.25	4.75	5.06	4.38	4.25	5.69	1.000 X 0.312	16.70
750	GP0750-C00	5.25	5.25	5.35	4.38	5.38	6.81	1.000 X 0.312	19.70
1000	GP1000-C00	6.38	4.82	6.39	5.31	4.40	5.78	1.000 X 0.312	26.00
1500	GP1500-C00	6.38	5.20	6.39	5.31	4.75	6.13	1.000 X 0.312	30.00
2000	GP2000-C00	7.06	5.75	7.20	5.81	5.25	6.62	1.000 X 0.312	44.50



GROUP: D

Primary Voltage : 600 V @ 50/60Hz ; Secondary Voltage : 240 V

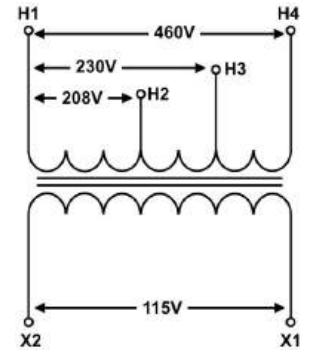
VA	Part Number	Overall Dimensions			Mounting Centers			Mtg. Slot (4 PLCS)	Approx Wt. Lbs
		L	W	H	ML	MW	PW		
25	GP0025-D00	3.00	2.95	3.00	2.5	1.75	2.57	0.437 X 0.203	1.90
50	GP0050-D00	3.00	3.45	3.00	2.50	2.00	2.84	0.437 X 0.203	2.90
75	GP0075-D00	3.00	3.70	3.00	2.50	2.50	3.31	0.437 X 0.203	3.40
100	GP0100-D00	3.75	3.50	3.81	2.81	2.38	3.20	0.437 X 0.203	4.60
150	GP0150-D00	3.75	3.95	3.81	3.13	2.88	3.70	0.437 X 0.203	6.10
200	GP0200-D00	4.50	3.70	4.44	3.75	2.50	3.31	0.437 X 0.203	7.80
250	GP0250-D00	4.50	3.70	4.44	3.75	2.88	3.70	0.437 X 0.203	8.20
300	GP0300-D00	4.50	4.20	4.44	3.75	3.25	4.13	0.437 X 0.203	10.50
350	GP0350-D00	4.50	4.75	4.44	3.75	3.75	4.56	0.437 X 0.203	12.60
500	GP0500-D00	5.25	4.75	5.06	4.38	4.25	5.69	1.000 X 0.312	16.70
750	GP0750-D00	5.25	5.25	5.35	4.38	5.38	6.81	1.000 X 0.312	19.70
1000	GP1000-D00	6.38	4.82	6.39	5.31	4.40	5.78	1.000 X 0.312	26.00
1500	GP1500-D00	6.38	5.20	6.39	5.31	4.75	6.13	1.000 X 0.312	30.00
2000	GP2000-D00	7.06	5.75	7.20	5.81	5.25	6.62	1.000 X 0.312	44.50



GROUP: E

Primary Voltage : 208 , 230, 460 V @ 50/60Hz ; Secondary Voltage : 115 V

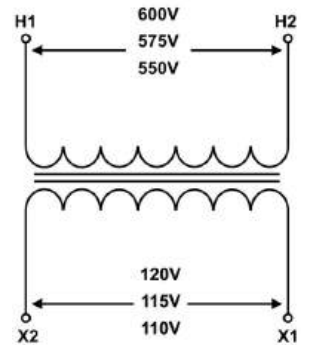
VA	Part Number	Overall Dimensions			Mounting Centers			Mtg. Slot (4 PLCS)	Approx Wt. Lbs
		L	W	H	ML	MW	PW		
25	GP0025-E00	3.00	3.30	3.00	2.50	2.00	2.84	0.437 X 0.203	2.40
50	GP0050-E00	3.00	4.00	3.00	2.50	2.93	3.74	0.437 X 0.203	4.10
75	GP0075-E00	3.75	3.50	3.81	3.13	2.45	3.26	0.437 X 0.203	4.50
100	GP0100-E00	3.75	3.80	3.81	3.13	2.69	3.50	0.437 X 0.203	5.40
150	GP0150-E00	3.75	4.30	3.81	3.13	2.88	3.70	0.437 X 0.203	7.00
200	GP0200-E00	4.50	4.30	4.44	3.75	2.88	3.70	0.437 X 0.203	10.20
250	GP0250-E00	4.50	4.80	4.44	3.75	3.25	4.13	0.437 X 0.203	12.30
300	GP0300-E00	5.25	4.30	5.06	4.38	3.20	4.01	0.437 X 0.203	13.60
350	GP0350-E00	5.25	4.30	5.06	4.38	3.20	4.01	0.437 X 0.203	14.00
500	GP0500-E00	5.25	5.40	5.06	4.38	4.25	5.69	1.000 X 0.312	20.00
750	GP0750-E00	5.25	6.40	6.45	4.38	5.38	6.76	1.000 X 0.312	25.70
1000	GP1000-E00	6.38	4.90	6.39	5.31	4.40	5.78	1.000 X 0.312	27.10
1500	GP1500-E00	6.38	6.30	6.39	5.31	5.75	7.13	1.000 X 0.312	39.10
2000	GP2000-E00	7.06	5.75	7.20	5.81	5.25	6.62	1.000 X 0.312	46.90



GROUP: F

Primary Voltage : 550 , 575 , 600 V @ 50/60Hz ; Secondary Voltage : 110 , 115 , 120 V

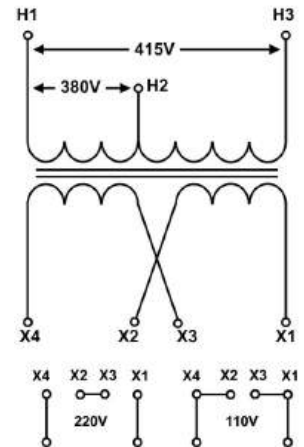
VA	Part Number	Overall Dimensions			Mounting Centers			Mtg. Slot (4 PLCS)	Approx Wt. Lbs
		L	W	H	ML	MW	PW		
25	GP0025-F00	3.00	2.95	3.00	2.5	1.75	2.57	0.437 X 0.203	1.90
50	GP0050-F00	3.00	3.45	3.00	2.50	2.00	2.84	0.437 X 0.203	2.90
75	GP0075-F00	3.00	3.70	3.00	2.50	2.50	3.31	0.437 X 0.203	3.40
100	GP0100-F00	3.75	3.50	3.81	2.81	2.38	3.20	0.437 X 0.203	4.60
150	GP0150-F00	3.75	3.95	3.81	3.13	2.88	3.70	0.437 X 0.203	6.10
200	GP0200-F00	4.50	3.70	4.44	3.75	2.50	3.31	0.437 X 0.203	7.80
250	GP0250-F00	4.50	3.70	4.44	3.75	2.88	3.70	0.437 X 0.203	8.20
300	GP0300-F00	4.50	4.20	4.44	3.75	3.25	4.13	0.437 X 0.203	10.50
350	GP0350-F00	4.50	4.75	4.44	3.75	3.75	4.56	0.437 X 0.203	12.60
500	GP0500-F00	5.25	4.75	5.06	4.38	4.25	5.69	1.000 X 0.312	16.70
750	GP0750-F00	5.25	5.25	5.35	4.38	5.38	6.81	1.000 X 0.312	19.70
1000	GP1000-F00	6.38	4.82	6.39	5.31	4.40	5.78	1.000 X 0.312	26.00
1500	GP1500-F00	6.38	5.20	6.39	5.31	4.75	6.13	1.000 X 0.312	30.00
2000	GP2000-F00	7.06	5.75	7.20	5.81	5.25	6.62	1.000 X 0.312	44.50



GROUP: G

Primary Voltage : 380 , 415 V @ 50/60Hz ; Secondary Voltage : 110/220 V

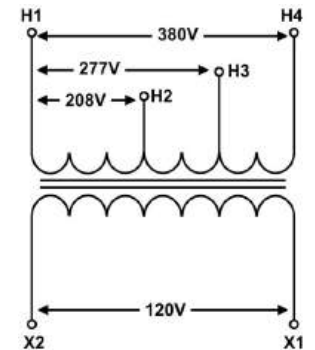
VA	Part Number	Overall Dimensions			Mounting Centers			Mtg. Slot (4 PLCS)	Approx Wt. Lbs
		L	W	H	ML	MW	PW		
25	GP0025-G00	3.00	2.95	3.00	2.5	1.75	2.57	0.437 X 0.203	2.40
50	GP0050-G00	3.00	3.45	3.00	2.50	2.00	2.84	0.437 X 0.203	4.10
75	GP0075-G00	3.00	3.70	3.00	2.50	2.50	3.31	0.437 X 0.203	4.50
100	GP0100-G00	3.75	3.50	3.81	2.81	2.38	3.20	0.437 X 0.203	5.40
150	GP0150-G00	3.75	3.95	3.81	3.13	2.88	3.70	0.437 X 0.203	7.00
200	GP0200-G00	4.50	3.70	4.44	3.75	2.50	3.31	0.437 X 0.203	10.20
250	GP0250-G00	4.50	3.70	4.44	3.75	2.88	3.70	0.437 X 0.203	12.30
300	GP0300-G00	4.50	4.20	4.44	3.75	3.25	4.13	0.437 X 0.203	13.60
350	GP0350-G00	4.50	4.75	4.44	3.75	3.75	4.56	0.437 X 0.203	14.00
500	GP0500-G00	5.25	4.75	5.06	4.38	4.25	5.69	1.000 X 0.312	20.00
750	GP0750-G00	5.25	5.25	5.35	4.38	5.38	6.81	1.000 X 0.312	25.70
1000	GP1000-G00	6.38	4.82	6.39	5.31	4.40	5.78	1.000 X 0.312	27.10
1500	GP1500-G00	6.38	5.20	6.39	5.31	4.75	6.13	1.000 X 0.312	39.10
2000	GP2000-G00	7.06	5.75	7.20	5.81	5.25	6.62	1.000 X 0.312	46.90



GROUP: H

Primary Voltage : 208 , 277 , 380 V @ 50/60Hz ; Secondary Voltage : 120 V

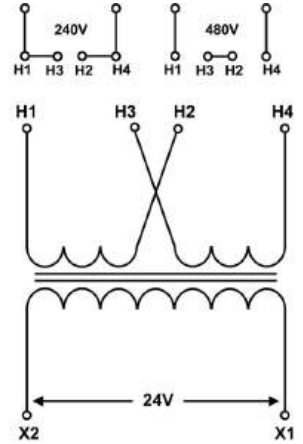
VA	Part Number	Overall Dimensions			Mounting Centers			Mtg. Slot (4 PLCS)	Approx Wt. Lbs
		L	W	H	ML	MW	PW		
25	GP0025-H00	3.00	3.30	3.00	2.50	2.00	2.84	0.437 X 0.203	2.40
50	GP0050-H00	3.00	4.00	3.00	2.50	2.93	3.74	0.437 X 0.203	4.10
75	GP0075-H00	3.75	3.50	3.81	3.13	2.45	3.26	0.437 X 0.203	4.50
100	GP0100-H00	3.75	3.80	3.81	3.13	2.69	3.50	0.437 X 0.203	5.40
150	GP0150-H00	3.75	4.30	3.81	3.13	2.88	3.70	0.437 X 0.203	7.00
200	GP0200-H00	4.50	4.30	4.44	3.75	2.88	3.70	0.437 X 0.203	10.20
250	GP0250-H00	4.50	4.80	4.44	3.75	3.25	4.13	0.437 X 0.203	12.30
300	GP0300-H00	5.25	4.30	5.06	4.38	3.20	4.01	0.437 X 0.203	13.60
350	GP0350-H00	5.25	4.30	5.06	4.38	3.20	4.01	0.437 X 0.203	14.00
500	GP0500-H00	5.25	5.40	5.06	4.38	4.25	5.69	1.000 X 0.312	20.00
750	GP0750-H00	5.25	6.40	6.45	4.38	5.38	6.76	1.000 X 0.312	25.70
1000	GP1000-H00	6.38	4.90	6.39	5.31	4.40	5.78	1.000 X 0.312	27.10
1500	GP1500-H00	6.38	6.30	6.39	5.31	5.75	7.13	1.000 X 0.312	39.10
2000	GP2000-H00	7.06	5.75	7.20	5.81	5.25	6.62	1.000 X 0.312	46.90



GROUP: J

Primary Voltage : 240/480 V @ 50/60Hz ; Secondary Voltage : 24 V

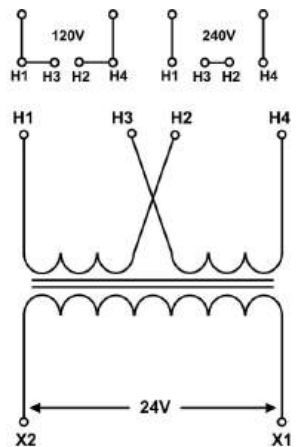
VA	Part Number	Overall Dimensions			Mounting Centers			Mtg. Slot (4 PLCS)	Approx Wt. Lbs
		L	W	H	ML	MW	PW		
25	GP0025-J00	3.00	2.95	3.00	2.5	1.75	2.57	0.437 X 0.203	1.90
50	GP0050-J00	3.00	3.45	3.00	2.50	2.00	2.84	0.437 X 0.203	2.90
75	GP0075-J00	3.00	3.70	3.00	2.50	2.50	3.31	0.437 X 0.203	3.40
100	GP0100-J00	3.75	3.50	3.81	2.81	2.38	3.20	0.437 X 0.203	4.60
150	GP0150-J00	3.75	3.95	3.81	3.13	2.88	3.70	0.437 X 0.203	6.10
200	GP0200-J00	4.50	3.70	4.44	3.75	2.50	3.31	0.437 X 0.203	7.80
250	GP0250-J00	4.50	3.70	4.44	3.75	2.88	3.70	0.437 X 0.203	8.20
300	GP0300-J00	4.50	4.20	4.44	3.75	3.25	4.13	0.437 X 0.203	10.50
350	GP0350-J00	4.50	4.75	4.44	3.75	3.75	4.56	0.437 X 0.203	12.60



GROUP: K

Primary Voltage : 120/240 V @ 50/60Hz ; Secondary Voltage : 24 V

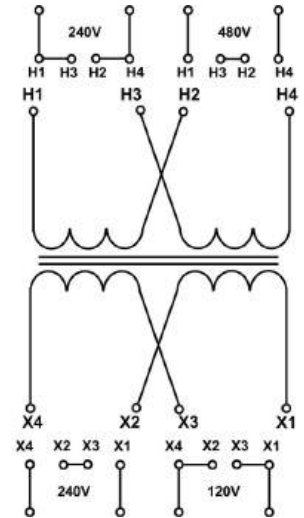
VA	Part Number	Overall Dimensions			Mounting Centers			Mtg. Slot (4 PLCS)	Approx Wt. Lbs
		L	W	H	ML	MW	PW		
25	GP0025-K00	3.00	3.30	3.00	2.50	2.00	2.84	0.437 X 0.203	1.90
50	GP0050-K00	3.00	4.00	3.00	2.50	2.93	3.74	0.437 X 0.203	2.90
75	GP0075-K00	3.75	3.50	3.81	3.13	2.45	3.26	0.437 X 0.203	3.40
100	GP0100-K00	3.75	3.80	3.81	3.13	2.69	3.50	0.437 X 0.203	4.60
150	GP0150-K00	3.75	4.30	3.81	3.13	2.88	3.70	0.437 X 0.203	6.10
200	GP0200-K00	4.50	4.30	4.44	3.75	2.88	3.70	0.437 X 0.203	7.80
250	GP0250-K00	4.50	4.80	4.44	3.75	3.25	4.13	0.437 X 0.203	8.20
300	GP0300-K00	5.25	4.30	5.06	4.38	3.20	4.01	0.437 X 0.203	10.50
350	GP0350-K00	5.25	4.30	5.06	4.38	3.20	4.01	0.437 X 0.203	12.60



GROUP: M

Primary Voltage : 240/480 V @ 50/60Hz ; Secondary Voltage : 120/240 V

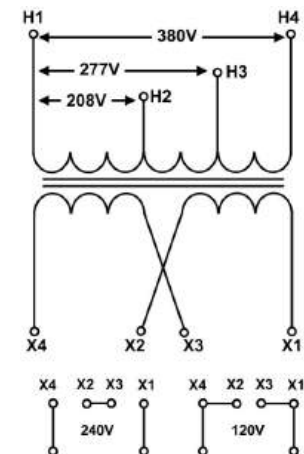
VA	Part Number	Overall Dimensions			Mounting Centers			Mtg. Slot (4 PLCS)	Approx Wt. Lbs
		L	W	H	ML	MW	PW		
25	GP0025-M00	3.00	2.95	3.00	2.5	1.75	2.57	0.437 X 0.203	1.90
50	GP0050-M00	3.00	3.45	3.00	2.50	2.00	2.84	0.437 X 0.203	2.90
75	GP0075-M00	3.00	3.70	3.00	2.50	2.50	3.31	0.437 X 0.203	3.40
100	GP0100-M00	3.75	3.50	3.81	2.81	2.38	3.20	0.437 X 0.203	4.60
150	GP0150-M00	3.75	3.95	3.81	3.13	2.88	3.70	0.437 X 0.203	6.10
200	GP0200-M00	4.50	3.70	4.44	3.75	2.50	3.31	0.437 X 0.203	7.80
250	GP0250-M00	4.50	3.70	4.44	3.75	2.88	3.70	0.437 X 0.203	8.20
300	GP0300-M00	4.50	4.20	4.44	3.75	3.25	4.13	0.437 X 0.203	10.50
350	GP0350-M00	4.50	4.75	4.44	3.75	3.75	4.56	0.437 X 0.203	12.60
500	GP0500-M00	5.25	4.75	5.06	4.38	4.25	5.69	1.000 X 0.312	16.70
750	GP0750-M00	5.25	5.25	5.35	4.38	5.38	6.81	1.000 X 0.312	19.70
1000	GP1000-M00	6.38	4.82	6.39	5.31	4.40	5.78	1.000 X 0.312	26.00
1500	GP1500-M00	6.38	5.20	6.39	5.31	4.75	6.13	1.000 X 0.312	30.00
2000	GP2000-M00	7.06	5.75	7.20	5.81	5.25	6.62	1.000 X 0.312	44.50



GROUP: N

Primary Voltage : 208, 277, 380 V @ 50/60Hz ; Secondary Voltage : 120/240 V

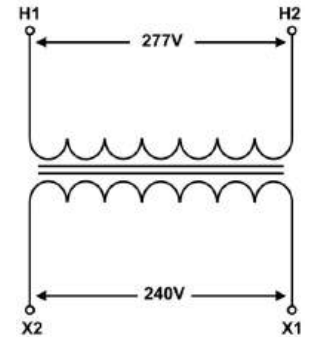
VA	Part Number	Overall Dimensions			Mounting Centers			Mtg. Slot (4 PLCS)	Approx Wt. Lbs
		L	W	H	ML	MW	PW		
25	GP0025-N00	3.00	3.30	3.00	2.50	2.00	2.84	0.437 X 0.203	2.40
50	GP0050-N00	3.00	4.00	3.00	2.50	2.93	3.74	0.437 X 0.203	4.10
75	GP0075-N00	3.75	3.50	3.81	3.13	2.45	3.26	0.437 X 0.203	4.50
100	GP0100-N00	3.75	3.80	3.81	3.13	2.69	3.50	0.437 X 0.203	5.40
150	GP0150-N00	3.75	4.30	3.81	3.13	2.88	3.70	0.437 X 0.203	7.00
200	GP0200-N00	4.50	4.30	4.44	3.75	2.88	3.70	0.437 X 0.203	10.20
250	GP0250-N00	4.50	4.80	4.44	3.75	3.25	4.13	0.437 X 0.203	12.30
300	GP0300-N00	5.25	4.30	5.06	4.38	3.20	4.01	0.437 X 0.203	13.60
350	GP0350-N00	5.25	4.30	5.06	4.38	3.20	4.01	0.437 X 0.203	14.00
500	GP0500-N00	5.25	5.40	5.06	4.38	4.25	5.69	1.000 X 0.312	20.00
750	GP0750-N00	5.25	6.40	6.45	4.38	5.38	6.76	1.000 X 0.312	25.70
1000	GP1000-N00	6.38	4.90	6.39	5.31	4.40	5.78	1.000 X 0.312	27.10
1500	GP1500-N00	6.38	6.30	6.39	5.31	5.75	7.13	1.000 X 0.312	39.10
2000	GP2000-N00	7.06	5.75	7.20	5.81	5.25	6.62	1.000 X 0.312	46.90



GROUP: P

Primary Voltage : 277 V @ 50/60Hz ; Secondary Voltage : 240 V

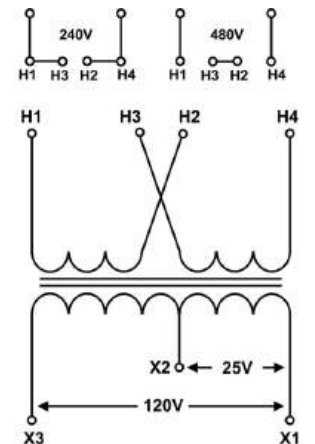
VA	Part Number	Overall Dimensions			Mounting Centers			Mtg. Slot (4 PLCS)	Approx Wt. Lbs
		L	W	H	ML	MW	PW		
25	GP0025-P00	3.00	2.95	3.00	2.5	1.75	2.57	0.437 X 0.203	1.90
50	GP0050-P00	3.00	3.45	3.00	2.50	2.00	2.84	0.437 X 0.203	2.90
75	GP0075-P00	3.00	3.70	3.00	2.50	2.50	3.31	0.437 X 0.203	3.40
100	GP0100-P00	3.75	3.50	3.81	2.81	2.38	3.20	0.437 X 0.203	4.60
150	GP0150-P00	3.75	3.95	3.81	3.13	2.88	3.70	0.437 X 0.203	6.10
200	GP0200-P00	4.50	3.70	4.44	3.75	2.50	3.31	0.437 X 0.203	7.80
250	GP0250-P00	4.50	3.70	4.44	3.75	2.88	3.70	0.437 X 0.203	8.20
300	GP0300-P00	4.50	4.20	4.44	3.75	3.25	4.13	0.437 X 0.203	10.50
350	GP0350-P00	4.50	4.75	4.44	3.75	3.75	4.56	0.437 X 0.203	12.60
500	GP0500-P00	5.25	4.75	5.06	4.38	4.25	5.69	1.000 X 0.312	16.70
750	GP0750-P00	5.25	5.25	5.35	4.38	5.38	6.81	1.000 X 0.312	19.70
1000	GP1000-P00	6.38	4.82	6.39	5.31	4.40	5.78	1.000 X 0.312	26.00
1500	GP1500-P00	6.38	5.20	6.39	5.31	4.75	6.13	1.000 X 0.312	30.00
2000	GP2000-P00	7.06	5.75	7.20	5.81	5.25	6.62	1.000 X 0.312	44.50



GROUP: Q

Primary Voltage : 240/480 V @ 50/60Hz ; Secondary Voltage : 25, 120 V

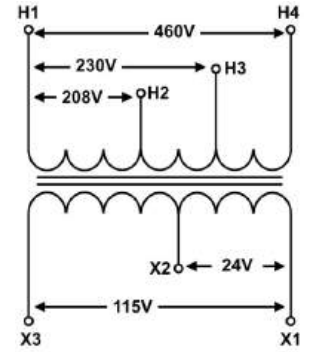
VA	Part Number	Overall Dimensions			Mounting Centers			Mtg. Slot (4 PLCS)	Approx Wt. Lbs
		L	W	H	ML	MW	PW		
25	GP0025-Q00	3.00	3.30	3.00	2.50	2.00	2.84	0.437 X 0.203	2.40
50	GP0050-Q00	3.00	4.00	3.00	2.50	2.93	3.74	0.437 X 0.203	4.10
75	GP0075-Q00	3.75	3.50	3.81	3.13	2.45	3.26	0.437 X 0.203	4.50
100	GP0100-Q00	3.75	3.80	3.81	3.13	2.69	3.50	0.437 X 0.203	5.40
150	GP0150-Q00	3.75	4.30	3.81	3.13	2.88	3.70	0.437 X 0.203	7.00
200	GP0200-Q00	4.50	4.30	4.44	3.75	2.88	3.70	0.437 X 0.203	10.20
250	GP0250-Q00	4.50	4.80	4.44	3.75	3.25	4.13	0.437 X 0.203	12.30
300	GP0300-Q00	5.25	4.30	5.06	4.38	3.20	4.01	0.437 X 0.203	13.60
350	GP0350-Q00	5.25	4.30	5.06	4.38	3.20	4.01	0.437 X 0.203	14.00
500	GP0500-Q00	5.25	5.40	5.06	4.38	4.25	5.69	1.000 X 0.312	20.00
750	GP0750-Q00	5.25	6.40	6.45	4.38	5.38	6.76	1.000 X 0.312	25.70
1000	GP1000-Q00	6.38	4.90	6.39	5.31	4.40	5.78	1.000 X 0.312	27.10



GROUP: R

Primary Voltage : 208 , 230 , 460 V @ 50/60Hz ; Secondary Voltage : 24 , 115 V

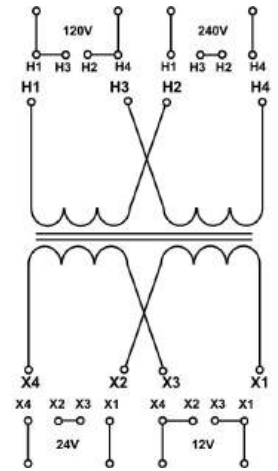
VA	Part Number	Overall Dimensions			Mounting Centers			Mtg. Slot (4 PLCS)	Approx Wt. Lbs
		L	W	H	ML	MW	PW		
25	GP0025-R00	3.00	3.30	3.00	2.50	2.00	2.84	0.437 X 0.203	2.40
50	GP0050-R00	3.00	4.00	3.00	2.50	2.93	3.74	0.437 X 0.203	4.10
75	GP0075-R00	3.75	3.50	3.81	3.13	2.45	3.26	0.437 X 0.203	4.50
100	GP0100-R00	3.75	3.80	3.81	3.13	2.69	3.50	0.437 X 0.203	5.40
150	GP0150-R00	3.75	4.30	3.81	3.13	2.88	3.70	0.437 X 0.203	7.00
200	GP0200-R00	4.50	4.30	4.44	3.75	2.88	3.70	0.437 X 0.203	10.20
250	GP0250-R00	4.50	4.80	4.44	3.75	3.25	4.13	0.437 X 0.203	12.30
300	GP0300-R00	5.25	4.30	5.06	4.38	3.20	4.01	0.437 X 0.203	13.60
350	GP0350-R00	5.25	4.30	5.06	4.38	3.20	4.01	0.437 X 0.203	14.00
500	GP0500-R00	5.25	5.40	5.06	4.38	4.25	5.69	1.000 X 0.312	20.00
750	GP0750-R00	5.25	6.40	6.45	4.38	5.38	6.76	1.000 X 0.312	25.70
1000	GP1000-R00	6.38	4.90	6.39	5.31	4.40	5.78	1.000 X 0.312	27.10



GROUP: T

Primary Voltage : 120/240 V @ 50/60Hz ; Secondary Voltage : 12/24 V

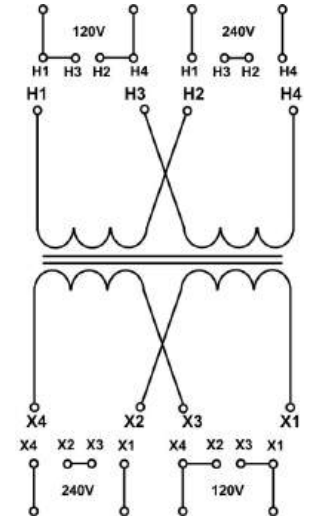
VA	Part Number	Overall Dimensions			Mounting Centers			Mtg. Slot (4 PLCS)	Approx Wt. Lbs
		L	W	H	ML	MW	PW		
25	GP0025-T00	3.00	2.95	3.00	2.5	1.75	2.57	0.437 X 0.203	1.90
50	GP0050-T00	3.00	3.45	3.00	2.50	2.00	2.84	0.437 X 0.203	2.90
75	GP0075-T00	3.00	3.70	3.00	2.50	2.50	3.31	0.437 X 0.203	3.40
100	GP0100-T00	3.75	3.50	3.81	2.81	2.38	3.20	0.437 X 0.203	4.60
150	GP0150-T00	3.75	3.95	3.81	3.13	2.88	3.70	0.437 X 0.203	6.10
200	GP0200-T00	4.50	3.70	4.44	3.75	2.50	3.31	0.437 X 0.203	7.80
250	GP0250-T00	4.50	3.70	4.44	3.75	2.88	3.70	0.437 X 0.203	8.20
300	GP0300-T00	4.50	4.20	4.44	3.75	3.25	4.13	0.437 X 0.203	10.50
350	GP0350-T00	4.50	4.75	4.44	3.75	3.75	4.56	0.437 X 0.203	12.60



GROUP: U

Primary Voltage : 120/240 V @ 50/60Hz ; Secondary Voltage : 120/240 V

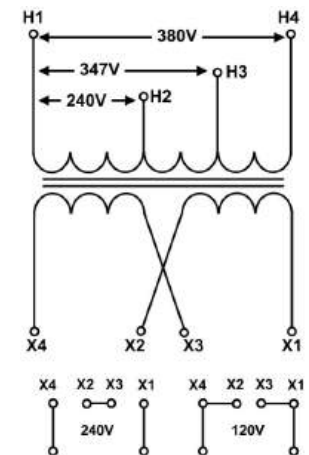
VA	Part Number	Overall Dimensions			Mounting Centers			Mtg. Slot (4 PLCS)	Approx Wt. Lbs
		L	W	H	ML	MW	PW		
25	GP0025-U00	3.00	2.95	3.00	2.5	1.75	2.57	0.437 X 0.203	1.90
50	GP0050-U00	3.00	3.45	3.00	2.50	2.00	2.84	0.437 X 0.203	2.90
75	GP0075-U00	3.00	3.70	3.00	2.50	2.50	3.31	0.437 X 0.203	3.40
100	GP0100-U00	3.75	3.50	3.81	2.81	2.38	3.20	0.437 X 0.203	4.60
150	GP0150-U00	3.75	3.95	3.81	3.13	2.88	3.70	0.437 X 0.203	6.10
200	GP0200-U00	4.50	3.70	4.44	3.75	2.50	3.31	0.437 X 0.203	7.80
250	GP0250-U00	4.50	3.70	4.44	3.75	2.88	3.70	0.437 X 0.203	8.20
300	GP0300-U00	4.50	4.20	4.44	3.75	3.25	4.13	0.437 X 0.203	10.50
350	GP0350-U00	4.50	4.75	4.44	3.75	3.75	4.56	0.437 X 0.203	12.60
500	GP0500-U00	5.25	4.75	5.06	4.38	4.25	5.69	1.000 X 0.312	16.70
750	GP0750-U00	5.25	5.25	5.35	4.38	5.38	6.81	1.000 X 0.312	19.70
1000	GP1000-U00	6.38	4.82	6.39	5.31	4.40	5.78	1.000 X 0.312	26.00
1500	GP1500-U00	6.38	5.20	6.39	5.31	4.75	6.13	1.000 X 0.312	30.00
2000	GP2000-U00	7.06	5.75	7.20	5.81	5.25	6.62	1.000 X 0.312	44.50



GROUP: W

Primary Voltage : 240 , 347 , 380 V @ 50/60Hz ; Secondary Voltage : 120/240 V

VA	Part Number	Overall Dimensions			Mounting Centers			Mtg. Slot (4 PLCS)	Approx Wt. Lbs
		L	W	H	ML	MW	PW		
25	GP0025-W00	3.00	3.30	3.00	2.50	2.00	2.84	0.437 X 0.203	2.40
50	GP0050-W00	3.00	4.00	3.00	2.50	2.93	3.74	0.437 X 0.203	4.10
75	GP0075-W00	3.75	3.50	3.81	3.13	2.45	3.26	0.437 X 0.203	4.50
100	GP0100-W00	3.75	3.80	3.81	3.13	2.69	3.50	0.437 X 0.203	5.40
150	GP0150-W00	3.75	4.30	3.81	3.13	2.88	3.70	0.437 X 0.203	7.00
200	GP0200-W00	4.50	4.30	4.44	3.75	2.88	3.70	0.437 X 0.203	10.20
250	GP0250-W00	4.50	4.80	4.44	3.75	3.25	4.13	0.437 X 0.203	12.30
300	GP0300-W00	5.25	4.30	5.06	4.38	3.20	4.01	0.437 X 0.203	13.60
350	GP0350-W00	5.25	4.30	5.06	4.38	3.20	4.01	0.437 X 0.203	14.00
500	GP0500-W00	5.25	5.40	5.06	4.38	4.25	5.69	1.000 X 0.312	20.00
750	GP0750-W00	5.25	6.40	6.45	4.38	5.38	6.76	1.000 X 0.312	25.70
1000	GP1000-W00	6.38	4.90	6.39	5.31	4.40	5.78	1.000 X 0.312	27.10
1500	GP1500-W00	6.38	6.30	6.39	5.31	5.75	7.13	1.000 X 0.312	39.10
2000	GP2000-W00	7.06	5.75	7.20	5.81	5.25	6.62	1.000 X 0.312	46.90



GROUP: Y

Primary Voltage : 550 , 575 , 600 V @ 50/60Hz ; Secondary Voltage : 12/24 V

VA	Part Number	Overall Dimensions			Mounting Centers			Mtg. Slot (4 PLCS)	Approx Wt. Lbs	Diagram
		L	W	H	ML	MW	PW			
25	GP0025-Y00	3.00	2.95	3.00	2.5	1.75	2.57	0.437 X 0.203	1.90	
50	GP0050-Y00	3.00	3.45	3.00	2.50	2.00	2.84	0.437 X 0.203	2.90	
75	GP0075-Y00	3.00	3.70	3.00	2.50	2.50	3.31	0.437 X 0.203	3.40	
100	GP0100-Y00	3.75	3.50	3.81	2.81	2.38	3.20	0.437 X 0.203	4.60	
150	GP0150-Y00	3.75	3.95	3.81	3.13	2.88	3.70	0.437 X 0.203	6.10	
200	GP0200-Y00	4.50	3.70	4.44	3.75	2.50	3.31	0.437 X 0.203	7.80	
250	GP0250-Y00	4.50	3.70	4.44	3.75	2.88	3.70	0.437 X 0.203	8.20	
300	GP0300-Y00	4.50	4.20	4.44	3.75	3.25	4.13	0.437 X 0.203	10.50	
350	GP0350-Y00	4.50	4.75	4.44	3.75	3.75	4.56	0.437 X 0.203	12.60	

GROUP: Z

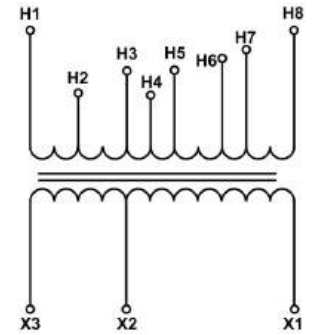
Primary Voltage : 208/416 V @ 50/60Hz ; Secondary Voltage : 120/240 V

VA	Part Number	Overall Dimensions			Mounting Centers			Mtg. Slot (4 PLCS)	Approx Wt. Lbs	Diagram
		L	W	H	ML	MW	PW			
25	GP0025-Z00	3.00	2.95	3.00	2.5	1.75	2.57	0.437 X 0.203	1.90	
50	GP0050-Z00	3.00	3.45	3.00	2.50	2.00	2.84	0.437 X 0.203	2.90	
75	GP0075-Z00	3.00	3.70	3.00	2.50	2.50	3.31	0.437 X 0.203	3.40	
100	GP0100-Z00	3.75	3.50	3.81	2.81	2.38	3.20	0.437 X 0.203	4.60	
150	GP0150-Z00	3.75	3.95	3.81	3.13	2.88	3.70	0.437 X 0.203	6.10	
200	GP0200-Z00	4.50	3.70	4.44	3.75	2.50	3.31	0.437 X 0.203	7.80	
250	GP0250-Z00	4.50	3.70	4.44	3.75	2.88	3.70	0.437 X 0.203	8.20	
300	GP0300-Z00	4.50	4.20	4.44	3.75	3.25	4.13	0.437 X 0.203	10.50	
350	GP0350-Z00	4.50	4.75	4.44	3.75	3.75	4.56	0.437 X 0.203	12.60	
500	GP0500-Z00	5.25	4.75	5.06	4.38	4.25	5.69	1.000 X 0.312	16.70	
750	GP0750-Z00	5.25	5.25	5.35	4.38	5.38	6.81	1.000 X 0.312	19.70	
1000	GP1000-Z00	6.38	4.82	6.39	5.31	4.40	5.78	1.000 X 0.312	26.00	
1500	GP1500-Z00	6.38	5.20	6.39	5.31	4.75	6.13	1.000 X 0.312	30.00	
2000	GP2000-Z00	7.06	5.75	7.20	5.81	5.25	6.62	1.000 X 0.312	44.50	

GROUP: EB

Primary Voltage : 120/208/220 - 240/277/347/380 - 415/440 - 480/550 - 600 V [Select desired input(s)] @ 50/60Hz;
 Secondary Voltage: 85 , 130 V

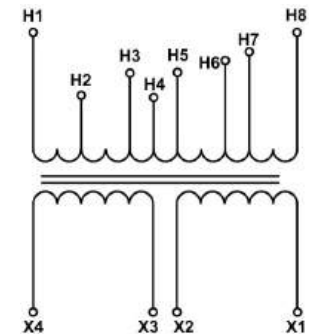
VA	Part Number	Overall Dimensions			Mounting Centers			Mtg. Slot (4 PLCS)	Approx Wt. Lbs
		L	W	H	ML	MW	PW		
25	GP0025-EB00	3.00	3.20	3.00	2.50	2.19	3.00	0.437 x 0.203	2.40
50	GP0050-EB00	3.00	4.20	3.00	2.50	3.19	4.00	0.437 x 0.203	4.10
75	GP0075-EB00	3.75	3.45	3.81	3.13	2.44	3.25	0.437 x 0.203	4.50
100	GP0100-EB00	3.75	3.70	3.81	3.13	2.69	3.50	0.437 x 0.203	5.40
150	GP0150-EB00	3.75	4.20	3.81	3.13	3.19	4.00	0.437 x 0.203	7.00
200	GP0200-EB00	4.50	4.20	4.44	3.75	3.19	4.00	0.437 x 0.203	10.20
250	GP0250-EB00	4.50	4.70	4.44	3.75	3.69	4.50	0.437 x 0.203	12.30
300	GP0300-EB00	5.25	4.20	5.10	4.38	3.19	4.00	0.437 x 0.203	13.60
350	GP0350-EB00	5.25	4.20	5.10	4.38	3.19	4.00	0.437 x 0.203	14.00
500	GP0500-EB00	5.25	6.20	5.10	4.38	5.75	7.13	1.000 x 0.312	20.00
750	GP0750-EB00	6.38	4.70	6.45	5.31	4.25	5.63	1.000 x 0.312	25.70
1000	GP1000-EB00	6.38	4.82	6.45	5.31	4.37	5.75	1.000 x 0.312	27.10
1500	GP1500-EB00	6.38	6.20	6.45	5.31	5.75	7.13	1.000 x 0.312	39.10



GROUP: EG

Primary Voltage : 120/208/220 - 240/277/347/380 - 415/440 - 480/550 - 600 V [Select desired input (s)] @ 50/60Hz;
 Secondary Voltage : 115/230 V

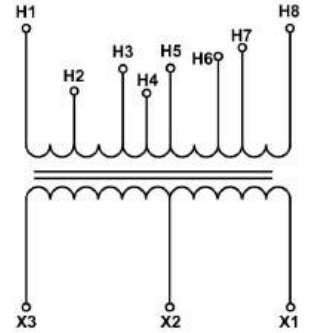
VA	Part Number	Overall Dimensions			Mounting Centers			Mtg. Slot (4 PLCS)	Approx Wt. Lbs
		L	W	H	ML	MW	PW		
25	GP0025-EG00	3.00	3.20	3.00	2.50	2.19	3.00	0.437 x 0.203	2.40
50	GP0050-EG00	3.00	4.20	3.00	2.50	3.19	4.00	0.437 x 0.203	4.10
75	GP0075-EG00	3.75	3.45	3.81	3.13	2.44	3.25	0.437 x 0.203	4.50
100	GP0100-EG00	3.75	3.70	3.81	3.13	2.69	3.50	0.437 x 0.203	5.40
150	GP0150-EG00	3.75	4.20	3.81	3.13	3.19	4.00	0.437 x 0.203	7.00
200	GP0200-EG00	4.50	4.20	4.44	3.75	3.19	4.00	0.437 x 0.203	10.20
250	GP0250-EG00	4.50	4.70	4.44	3.75	3.69	4.50	0.437 x 0.203	12.30
300	GP0300-EG00	5.25	4.20	5.10	4.38	3.19	4.00	0.437 x 0.203	13.60
350	GP0350-EG00	5.25	4.20	5.10	4.38	3.19	4.00	0.437 x 0.203	14.00
500	GP0500-EG00	5.25	6.20	5.10	4.38	5.75	7.13	1.000 x 0.312	20.00
750	GP0750-EG00	6.38	4.70	6.45	5.31	4.25	5.63	1.000 x 0.312	25.70
1000	GP1000-EG00	6.38	4.82	6.45	5.31	4.37	5.75	1.000 x 0.312	27.10



GROUP: EJ

Primary Voltage : 120/208/220 - 240/277/347/380 - 415/440 - 480/550 - 600 V [Select desired input(s)] @ 50/60Hz;
 Secondary Voltage: 24 , 115 V

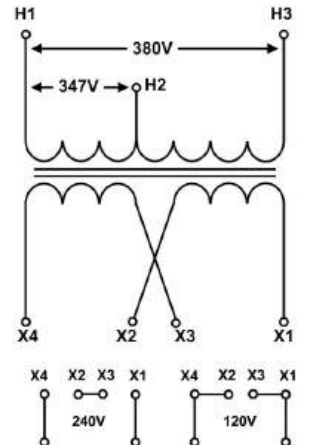
VA	Part Number	Overall Dimensions			Mounting Centers			Mtg. Slot (4 PLCS)	Approx Wt. Lbs
		L	W	H	ML	MW	PW		
25	GP0025-EJ00	3.00	3.20	3.00	2.50	2.19	3.00	0.437 x 0.203	2.40
50	GP0050-EJ00	3.00	4.20	3.00	2.50	3.19	4.00	0.437 x 0.203	4.10
75	GP0075-EJ00	3.75	3.45	3.81	3.13	2.44	3.25	0.437 x 0.203	4.50
100	GP0100-EJ00	3.75	3.70	3.81	3.13	2.69	3.50	0.437 x 0.203	5.40
150	GP0150-EJ00	3.75	4.20	3.81	3.13	3.19	4.00	0.437 x 0.203	7.00
200	GP0200-EJ00	4.50	4.20	4.44	3.75	3.19	4.00	0.437 x 0.203	10.20
250	GP0250-EJ00	4.50	4.70	4.44	3.75	3.69	4.50	0.437 x 0.203	12.30
300	GP0300-EJ00	5.25	4.20	5.10	4.38	3.19	4.00	0.437 x 0.203	13.60
350	GP0350-EJ00	5.25	4.20	5.10	4.38	3.19	4.00	0.437 x 0.203	14.00
500	GP0500-EJ00	5.25	6.20	5.10	4.38	5.75	7.13	1.000 x 0.312	20.00
750	GP0750-EJ00	6.38	4.70	6.45	5.31	4.25	5.63	1.000 x 0.312	25.70
1000	GP1000-EJ00	6.38	4.82	6.45	5.31	4.37	5.75	1.000 x 0.312	27.10



GROUP: GM

Primary Voltage : 347 , 380 V @ 50/60Hz ; Secondary Voltage : 120/240 V

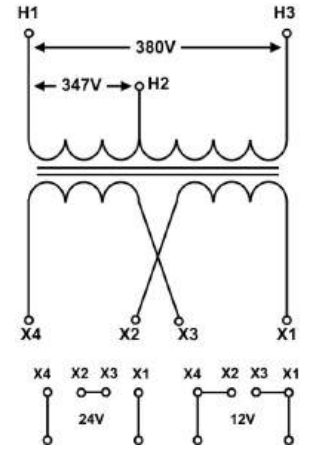
VA	Part Number	Overall Dimensions			Mounting Centers			Mtg. Slot (4 PLCS)	Approx Wt. Lbs
		L	W	H	ML	MW	PW		
25	GP0025-GM00	3.00	2.95	3.00	2.50	1.75	2.57	0.437 x 0.203	2.40
50	GP0050-GM00	3.00	3.45	3.00	2.50	2.00	2.84	0.437 x 0.203	4.10
75	GP0075-GM00	3.00	3.70	3.00	2.50	2.50	3.31	0.437 x 0.203	4.50
100	GP0100-GM00	3.75	3.50	3.81	2.81	2.38	3.20	0.437 x 0.203	5.40
150	GP0150-GM00	3.75	3.95	3.81	3.13	2.88	3.70	0.437 x 0.203	7.00
200	GP0200-GM00	4.50	3.70	4.44	3.75	2.50	3.31	0.437 x 0.203	10.20
250	GP0250-GM00	4.50	3.70	4.44	3.75	2.88	3.70	0.437 x 0.203	12.30
300	GP0300-GM00	4.50	4.20	4.44	3.75	3.25	4.13	0.437 x 0.203	13.60
350	GP0350-GM00	4.50	4.75	4.44	3.75	3.75	4.56	0.437 x 0.203	14.00
500	GP0500-GM00	5.25	4.75	5.06	4.38	4.25	5.69	1.000 x 0.312	20.00
750	GP0750-GM00	5.25	5.25	5.35	4.38	5.38	6.81	1.000 x 0.312	25.70
1000	GP1000-GM00	6.38	4.82	6.39	5.31	4.40	5.78	1.000 x 0.312	27.10
1500	GP1500-GM00	6.38	5.20	6.39	5.31	4.75	6.13	1.000 x 0.312	39.10
2000	GP2000-GM00	7.06	5.75	7.20	5.81	5.25	6.62	1.000 x 0.312	46.90



GROUP: HK

Primary Voltage : 347 , 380 V @ 50/60Hz ; Secondary Voltage : 12/24 V

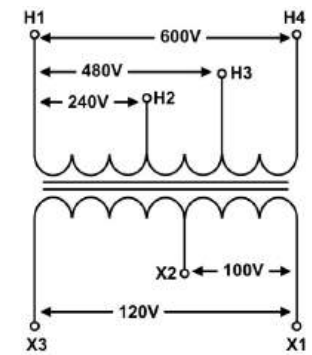
VA	Part Number	Overall Dimensions			Mounting Centers			Mtg. Slot (4 PLCS)	Approx Wt. Lbs
		L	W	H	ML	MW	PW		
25	GP0025-HK00	3.00	2.95	3.00	2.50	1.75	2.57	0.437 x 0.203	2.40
50	GP0050-HK00	3.00	3.45	3.00	2.50	2.00	2.84	0.437 x 0.203	4.10
75	GP0075-HK00	3.00	3.70	3.00	2.50	2.50	3.31	0.437 x 0.203	4.50
100	GP0100-HK00	3.75	3.50	3.81	2.81	2.38	3.20	0.437 x 0.203	5.40
150	GP0150-HK00	3.75	3.95	3.81	3.13	2.88	3.70	0.437 x 0.203	7.00
200	GP0200-HK00	4.50	3.70	4.44	3.75	2.50	3.31	0.437 x 0.203	10.20
250	GP0250-HK00	4.50	3.70	4.44	3.75	2.88	3.70	0.437 x 0.203	12.30
300	GP0300-HK00	4.50	4.20	4.44	3.75	3.25	4.13	0.437 x 0.203	13.60
350	GP0350-HK00	4.50	4.75	4.44	3.75	3.75	4.56	0.437 x 0.203	14.00



GROUP: KH

Primary Voltage : 240 , 480, 600 V @ 50/60Hz ; Secondary Voltage : 100 , 120 V

VA	Part Number	Overall Dimensions			Mounting Centers			Mtg. Slot (4 PLCS)	Approx Wt. Lbs
		L	W	H	ML	MW	PW		
25	GP0025-KH00	3.00	3.30	3.00	2.50	2.00	2.84	0.437 x 0.203	2.40
50	GP0050-KH00	3.00	4.00	3.00	2.50	2.93	3.74	0.437 x 0.203	4.10
75	GP0075-KH00	3.75	3.50	3.81	3.13	2.45	3.26	0.437 x 0.203	4.50
100	GP0100-KH00	3.75	3.80	3.81	3.13	2.69	3.50	0.437 x 0.203	5.40
150	GP0150-KH00	3.75	4.30	3.81	3.13	2.88	3.70	0.437 x 0.203	7.00
200	GP0200-KH00	4.50	4.30	4.44	3.75	2.88	3.70	0.437 x 0.203	10.20
250	GP0250-KH00	4.50	4.80	4.44	3.75	3.25	4.13	0.437 x 0.203	12.30
300	GP0300-KH00	5.25	4.30	5.06	4.38	3.20	4.01	0.437 x 0.203	13.60
350	GP0350-KH00	5.25	4.30	5.06	4.38	3.20	4.01	0.437 x 0.203	14.00
500	GP0500-KH00	5.25	5.40	5.06	4.38	4.25	5.69	1.000 x 0.312	20.00
750	GP0750-KH00	5.25	6.40	5.45	4.38	5.38	6.76	1.000 x 0.312	25.70
1000	GP1000-KH00	6.38	4.90	6.39	5.31	4.40	5.78	1.000 x 0.312	27.10
1500	GP1500-KH00	6.38	6.30	6.39	5.31	5.75	7.13	1.000 x 0.312	39.10
2000	GP2000-KH00	7.06	5.75	7.20	5.81	5.25	6.62	1.000 x 0.312	46.90



GROUP: NJ

Primary Voltage : 208/416 V @ 50/60Hz ; Secondary Voltage : 12/24 V

VA	Part Number	Overall Dimensions			Mounting Centers			Mtg. Slot (4 PLCS)	Approx Wt. Lbs	
		L	W	H	ML	MW	PW			
25	GP0025-NJ00	3.00	2.95	3.00	2.50	1.75	2.57	0.437 x 0.203	1.90	
50	GP0050-NJ00	3.00	3.45	3.00	2.50	2.00	2.84	0.437 x 0.203	2.90	
75	GP0075-NJ00	3.00	3.70	3.00	2.50	2.50	3.31	0.437 x 0.203	3.40	
100	GP0100-NJ00	3.75	3.50	3.81	2.81	2.38	3.20	0.437 x 0.203	4.60	
150	GP0150-NJ00	3.75	3.95	3.81	3.13	2.88	3.70	0.437 x 0.203	6.10	
200	GP0200-NJ00	4.50	3.70	4.44	3.75	2.50	3.31	0.437 x 0.203	7.80	
250	GP0250-NJ00	4.50	3.70	4.44	3.75	2.88	3.70	0.437 x 0.203	8.20	
300	GP0300-NJ00	4.50	4.20	4.44	3.75	3.25	4.13	0.437 x 0.203	10.50	
350	GP0350-NJ00	4.50	4.75	4.44	3.75	3.75	4.56	0.437 x 0.203	12.60	

GROUP: PH

Primary Voltage : 277 V @ 50/60Hz ; Secondary Voltage : 120 V

VA	Part Number	Overall Dimensions			Mounting Centers			Mtg. Slot (4 PLCS)	Approx Wt. Lbs	
		L	W	H	ML	MW	PW			
25	GP0025-PH00	3.00	2.95	3.00	2.5	1.75	2.57	0.437 X 0.203	1.90	
50	GP0050-PH00	3.00	3.45	3.00	2.50	2.00	2.84	0.437 X 0.203	2.90	
75	GP0075-PH00	3.00	3.70	3.00	2.50	2.50	3.31	0.437 X 0.203	3.40	
100	GP0100-PH00	3.75	3.50	3.81	2.81	2.38	3.20	0.437 X 0.203	4.60	
150	GP0150-PH00	3.75	3.95	3.81	3.13	2.88	3.70	0.437 X 0.203	6.10	
200	GP0200-PH00	4.50	3.70	4.44	3.75	2.50	3.31	0.437 X 0.203	7.80	
250	GP0250-PH00	4.50	3.70	4.44	3.75	2.88	3.70	0.437 X 0.203	8.20	
300	GP0300-PH00	4.50	4.20	4.44	3.75	3.25	4.13	0.437 X 0.203	10.50	
350	GP0350-PH00	4.50	4.75	4.44	3.75	3.75	4.56	0.437 X 0.203	12.60	
500	GP0500-PH00	5.25	4.75	5.06	4.38	4.25	5.69	1.000 X 0.312	16.70	
750	GP0750-PH00	5.25	5.25	5.35	4.38	5.38	6.81	1.000 X 0.312	19.70	
1000	GP1000-PH00	6.38	4.82	6.39	5.31	4.40	5.78	1.000 X 0.312	26.00	
1500	GP1500-PH00	6.38	5.20	6.39	5.31	4.75	6.13	1.000 X 0.312	30.00	
2000	GP2000-PH00	7.06	5.75	7.20	5.81	5.25	6.62	1.000 X 0.312	44.50	

Industrial Control Transformers - Econoline Series: GP

- Power Rating 300VA to 1500VA
- Frequency 50/60 Hz
- High inrush current capability
- Voltage regulation exceeds NEMA ST-1
- IEC Touch proof terminals
- International input/output voltages
- Copper coils for excellent thermal characteristics
- Insulation Class F(155°C)
- Optional input/output fuse
- Fuse block kits per request & easy installation
- Heavy gauge steel mounting plate to match various mounting dimensions
- 10 year warranty



Agency Approvals:

- UL/cUL 5085-2 Listed, CE marked, UL File E47299



Applications:

The international series GP transformers are especially suited for requiring high inrush current and output voltage stability. This is typically the case when electromagnetic devices such as relays, solenoids, contactors, bells, signals and alarm systems are initially energized.

Selecting the right transformer:

To correctly size a control transformer best suited for an application, In addition to the minimum voltage required to operate the circuit, three characteristics of the load circuit must be determined. These are total steady state (sealed) VA, total inrush VA and inrush load power factor. (The operating VA data for the devices should be available from the manufactures)

- Total steady state (sealed) VA is the volt-amperes that the transformer continuous operation over extended period of time.
- Total inrush VA in the volt-amperes that the control transformer must deliver upon initial energization of the load circuit. Typically energizations of electromagnetic Devices take 20-50milliseconds and can draw any where from 3 to 10 times the nominal operating current. (Inrush VA data should be available from the device manufacturer)
- Inrush load power factor is different to determine without complex vector analysis of all the load components. Generally such an analysis is not feasible. Therefore a safe assumption is 40% load power factor.

Six easy steps:

Once the three variables are determined, follow these steps to select the proper transformer.

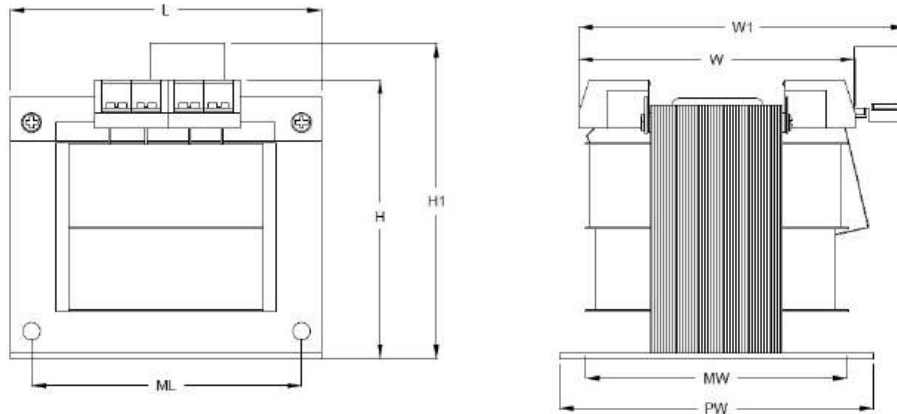
- Determine the primary (input line) and secondary (output) Voltage required along with supply frequency. (i.e. 50 or 60 Hz)
- Calculate total sealed VA of the load circuit by adding the sealed steady-state VA of all devices that will be energized simultaneously.
- Calculate the arithmetic sum of the inrush VA of all components that will be energized at the same time. Make sure to add the VA load of non-inductive devices that do not have inrush VA (such as times, lamps etc.)

Take into consideration start-up sequence to determine the maximum point of inrush of the load circuit. If the inrush current for the devices is unknown, then it is recommended to use 40% inrush power factor.

- Calculate the total inrush VA using one of the two methods:
 - Total inrush VA = $\sqrt{(VA \text{ sealed})^2 + (VA \text{ inrush})^2}$ or
 - Total inrush VA = VA sealed + VA inrush (method B will result in a slightly oversized transfer)
- Adjust for voltage regulation by referring to this transformer regulation data table below. If the nominal supply voltage does not fluctuate more than 5%, then refer to the 90% secondary voltage column for correct rating. If the nominal supply voltage varies up to 10%, then the 95% secondary voltage column should be used to properly size the transformer. Current standards require be electromagnetic devices to operate reliably at 85% of their rated nameplate voltage. In this case the 85% secondary voltage column should be referenced to correctly size the transformer.
- Select the VA rating that appropriate secondary voltage column, locate the VA rating that is closest to, but not less than,
 - The total sealed VA calculated in step 2
 - The total inrush VA calculated in step 4

REGULATION DATA TABLE

VA Rating	INRUSH VA @ 40% PF		
	85% Secondary Voltage	90% Secondary Voltage	95% Secondary Voltage
300	3180	2430	1610
350	3665	2820	1895
500	6300	5035	3305
750	10555	7920	5050
1000	15225	11160	6000
1500			



* Secondary Fuse = Please add 0.60" to "W" to get "W1" and 1.1" to "H" to get "H1".

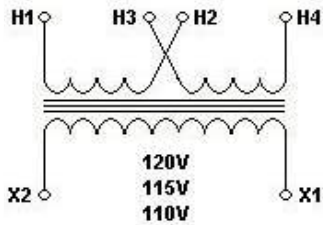
Group	Part Number	VA	Primary	Secondary	Overall Dimensions (in inches)		
					L	W	H
A	GP1500-Axx	1500	220/440, 230/460, 240/480V	110, 115, 120V	6.38	3	5.31
	GP0300-Bxx	300	230, 460, 575V	95, 115V	4.25	2	3.75
B	GP0750-Bxx	750	230, 460, 575V	95, 115V	5.25	3	4.38
	GP1500-Bxx	1500	230, 460, 575V	95, 115V	6.38	3	5.31
C	GP1500-Cxx	1500	480V	240V	6.38	3	5.31
D	GP1500-Dxx	1500	600V	240V	6.38	3	5.31
E	GP0300-Exx	300	208, 230, 460V	115V	4.25	2	3.75
	GP0750-Exx	750	208, 230, 460V	115V	5.25	3	4.38
F	GP1500-Exx	1500	208, 230, 460V	115V	6.38	3	5.31
	GP1500-Fxx	1500	550, 575, 600V	110, 115, 120V	6.38	3	5.31
G	GP1500-Gxx	1500	380, 415V	110/220V	6.38	3	5.31
	GP0300-Hxx	300	208, 277, 380V	120V	4.25	2	3.75
H	GP0750-Hxx	750	208, 277, 380V	120V	5.25	3	4.38
	GP1500-Hxx	1500	208, 277, 380V	120V	6.38	3	5.31
M	GP1500-Mxx	1500	240/480V	120/240V	6.38	3	5.31
	GP0300-Nxx	300	208, 277, 380V	120/240V	4.25	2	3.75
N	GP0750-Nxx	750	208, 277, 380V	120/240V	5.25	3	4.38
	GP1500-Nxx	1500	208, 277, 380V	120/240V	6.38	3	5.31

Any application, Any requirement, Contact us for our Custom Designs

Group: A

Primary: 220/440, 230/460, 240/480V @ 50/60Hz

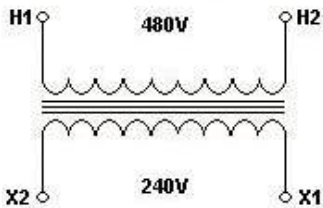
Secondary: 110, 115, 120V



Group: C

Primary: 480V @ 50/60Hz

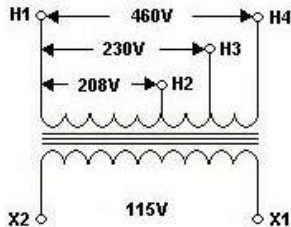
Secondary: 240V



Group: E

Primary: 208, 230, 460V @ 50/60Hz

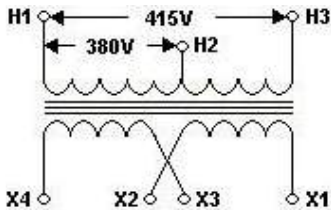
Secondary: 115V



Group: G

Primary: 380, 415V @ 50/60Hz

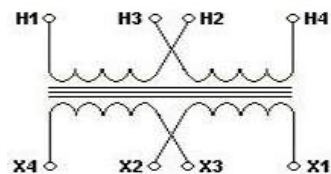
Secondary: 110/220V



Group: M

Primary: 240/480V @ 50/60Hz

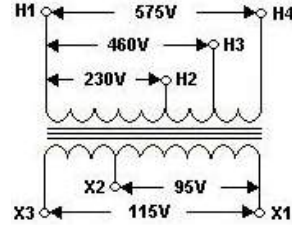
Secondary: 120/240V



Group: B

Primary: 230, 460, 575V @ 50/60Hz

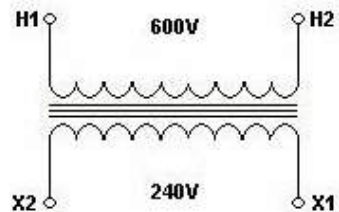
Secondary: 95, 115V



Group: D

Primary: 600V @ 50/60Hz

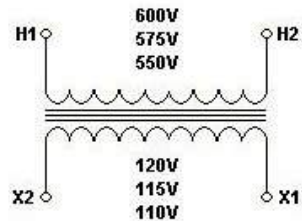
Secondary: 240V



Group: F

Primary: 550, 575, 600V @ 50/60Hz

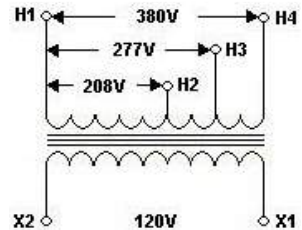
Secondary: 110, 115, 120V



Group: H

Primary: 208, 277, 380V @ 50/60Hz

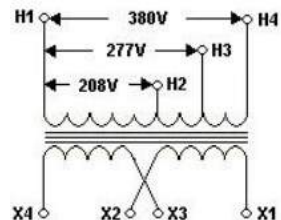
Secondary: 120V

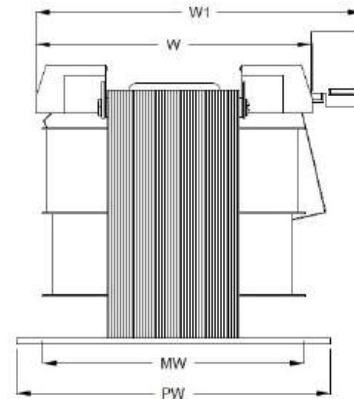
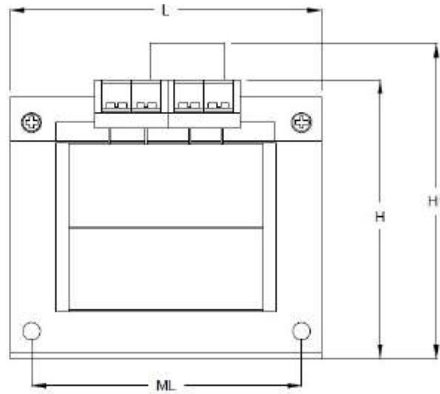


Group: N

Primary: 208, 277, 380V @ 50/60Hz

Secondary: 120/240V





(Continued)

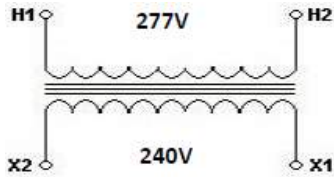
Group	Part Number	VA	Primary	Secondary	Overall Dimensions (in inches)		
					L	W	H
P	GP1500-Pxx	1500	277V	240V	6.38	3	5.31
Q	GP0300-Qxx	300	240/480V	25, 120V	4.25	2	3.75
	GP0750-Qxx	750	240/480V	25, 120V	5.25	3	4.38
R	GP0300-Rxx	300	208, 230, 460V	24, 115V	4.25	2	3.75
	GP0750-Rxx	750	208, 230, 460V	24, 115V	5.25	3	4.38
U	GP1500-Uxx	1500	120/240V	120/240V	6.38	3	5.31
W	GP0300-Wxx	300	240, 347, 380V	120/240V	4.25	2	3.75
	GP0750-Wxx	750	240, 347, 380V	120/240V	5.25	3	4.38
	GP1500-Wxx	1500	240, 347, 380V	120/240V	6.38	3	5.31
Z	GP1500-Zxx	1500	208/416V	120/240V	6.38	3	5.31
GM	GP1500-GMxx	1500	347, 380V	120/240V	6.38	3	5.31
KH	GP0300-KHxx	300	240, 480, 600V	100, 120V	4.25	2	3.75
	GP0750-KHxx	750	240, 480, 600V	100, 120V	5.25	3	4.38
	GP1500-KHxx	1500	240, 480, 600V	100, 120V	6.38	3	5.31
PH	GP1500-PHxx	1500	277V	120V	6.38	3	5.31

Any application, Any requirement, Contact us for our Custom Designs

Group: P

Primary: 277V @ 50/60Hz

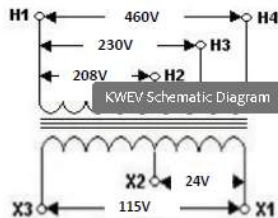
Secondary: 240V



Group: R

Primary: 208, 230, 460V @ 50/60Hz

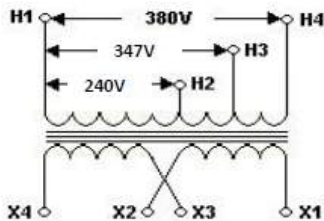
Secondary: 24, 115V



Group: W

Primary: 240, 347, 380V @ 50/60Hz

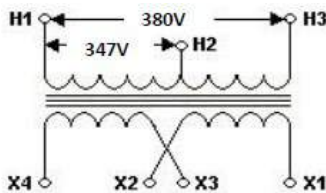
Secondary: 120/240V



Group: GM

Primary: 347, 380V @ 50/60Hz

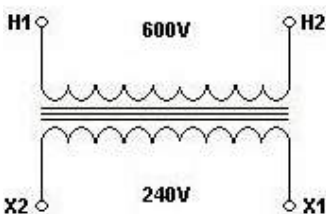
Secondary: 120/240V



Group: PH

Primary: 277V @ 50/60Hz

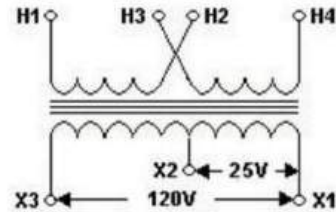
Secondary: 120V



Group: Q

Primary: 240/480V @ 50/60Hz

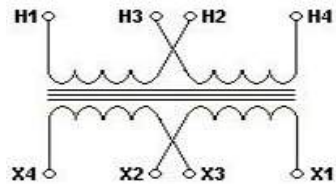
Secondary: 25, 120V



Group: U

Primary: 120/240V @ 50/60Hz

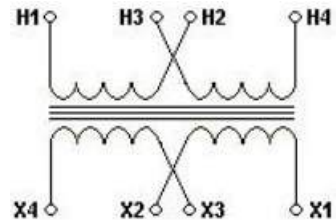
Secondary: 120/240V



Group: Z

Primary: 208/ 416V @ 50/60Hz

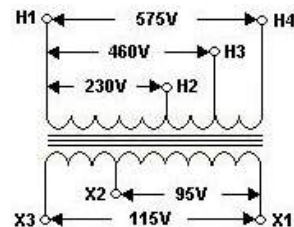
Secondary: 120/240V



Group: KH

Primary: 240, 480, 600V @ 50/60Hz

Secondary: 100, 120V



Secondary Voltage	VA RATING													
	25	50	75	100	150	200	250	300	350	500	750	1000	1500	2000
12	3-2/10	6-1/4	10	12	15	20	25	30	-	-	-	-	-	-
23	1-8/10	3-1/2	5	7	10	12	15	17-1/2	20	30	-	-	-	-
24	1-6/10	3-2/10	5	6-1/4	10	12	15	17-1/2	20	30	-	-	-	-
25	1-6/10	3-2/10	5	6-1/4	10	12	15	15	17-1/2	25	-	-	-	-
90	4/10	8/10	1-1/4	1-8/10	2-1/2	3-1/2	4-1/2	5	6-1/4	9	12	15	20	25
95	4/10	8/10	1-1/4	1-6/10	2-1/2	3-1/2	4	5	6	8	12	15	17-1/2	25
100	4/10	8/10	1-1/4	1-6/10	2-1/2	3-2/10	4	5	5-6/10	8	12	15	17-1/2	25
110	3/10	3/4	1-1/8	1-1/2	2-1/4	3	3-1/2	4-1/2	5	7-1/2	10	12	17-1/2	25
115	3/10	6/10	1	1-4/10	2	2-8/10	3-1/2	4	5	7	10	12	17-1/2	25
120	3/10	6/10	1	1-1/4	2	2-1/2	3-2/10	4	4-1/2	6-1/4	10	12	17-1/2	25
220	3/16	3/10	1/2	3/4	1-1/8	1-1/2	1-8/10	2-1/4	2-1/2	3-1/2	5-6/10	7-1/2	10	12
230	15/100	3/10	1/2	6/10	1	1-4/10	1-8/10	2	2-1/2	3-1/2	5	7	10	12
240	15/100	3/10	1/2	6/10	1	1-4/10	1-6/10	2	2-1/4	3-2/10	5	6-1/4	10	12

Primary Voltage	VA RATING													
	25	50	75	100	150	200	250	300	350	500	750	1000	1500	2000
115	1/2	1	1-6/10	2	3-2/10	4	5	6-1/4	7-1/2	10	15	20	30	-
120	1/2	1	1-1/2	2	3	4	5	6-1/4	7	10	15	20	30	-
200	3/10	6/10	8/10	1-1/4	1-8/10	2-1/2	3	3-1/2	4	6-1/4	9	12	17-1/2	25
208	3/10	6/10	8/10	1-1/8	1-8/10	2-1/4	3	3-1/2	4	6	9	12	17-1/2	20
220	1/4	1/2	8/10	1-1/8	1-6/10	2-1/4	2-8/10	3-2/10	3-1/2	5-6/10	8	10	15	20
230	1/4	1/2	8/10	1	1-6/10	2	2-1/2	3-2/10	3-1/2	5	8	10	15	20
240	1/4	1/2	3/4	1	1-1/2	2	2-1/2	3	3-1/2	5	7-1/2	10	15	20
277	2/10	4/10	6/10	8/10	1-1/4	1-8/10	2-1/4	2-1/2	3	4-1/2	6-1/4	9	12	17-1/2
380	15/100	3/10	4/10	6/10	8/10	1-1/4	1-6/10	1-8/10	2-1/4	3-2/10	4-1/2	6-1/4	9	12
400	15/100	3/10	4/10	6/10	8/10	1-1/4	1-1/2	1-8/10	2	3	4-1/2	6-1/4	9	12
415	15/100	3/10	4/10	6/10	8/10	1-1/8	1-1/2	1-8/10	2	3	4-1/2	6	9	12
440	1/8	1/4	4/10	1/2	8/10	1-1/8	1-4/10	1-6/10	1-8/10	2-8/10	4	5-6/10	8	10
460	1/8	1/4	4/10	1/2	8/10	1	1-1/4	1-6/10	1-8/10	2-1/2	4	5	8	10
480	1/8	1/4	3/10	1/2	3/4	1	1-1/4	1-1/2	1-8/10	2-1/2	3-1/2	5	7-1/2	10
550	1/10	2/10	3/10	4/10	6/10	8/10	1-1/8	1-1/4	1-1/2	2-1/4	3-2/10	4-1/2	6-1/4	9
575	1/10	2/10	3/10	4/10	6/10	8/10	1	1-1/4	1-1/2	2	3-2/10	4	6-1/4	8
600	1/10	2/10	3/10	4/10	6/10	8/10	1	1-1/4	1-4/10	2	3	4	6-1/4	8

Note:

- If the rated secondary current is under 9 amps, the secondary rating of overcurrent protection is 167% limit of rated secondary current.
- If the rated secondary current is greater than or equal to 9 amps, the secondary rating of overcurrent protection is 125% limit of rated secondary current.
- When secondary is protected by overcurrent protection, the primary rating of overcurrent protection is 250% limit of rated primary current.
- No need of secondary overcurrent protection if transformer is equipped with Primary Overcurrent protection.

Reference: NEC 450.3(B)

Any application, Any requirement, Contact us for our Custom Designs

Industrial Control Transformers - General Purpose Series: Enclosed Control Transformers

- Power Rating 250VA to 2000VA
- Primary Voltage 208V - 600V
- Secondary Voltage 120/240V
- Frequency 60Hz & 50/60 Hz
- High inrush current capability
- NEMA 3R nonventilated weatherproof enclosure
- Knockouts provided on back and bottom
- High grade silicon steel core
- Mounting holes on side for easy access
- Wiring compartment includes ground stud



Agency Approvals:

- UL/cUL 5085-2 Listed, CE marked, UL File E47299
- Meets or Exceeds NEMA, ANSI, NMBTA, JIC & IEC standards



Applications:

NEMA 3R nonventilated weatherproof enclosures come equipped with general purpose power transformers. These units feature encapsulated copper core and coils with integrated junction boxes for easy wiring. More freedom in choosing different options is provided by improved wiring compartment room and termination spacing.

General information:

GP's whole transformer series offers dependable, silent transformer performance. Models of type GP are C-UL listed. Appliance, lighting, and power loads are supplied by general-purpose transformers rated at 600 volts or less from electrical distribution systems. Standard load voltages are 120 and 240 volts, and standard distribution voltages are 600, 480, and 240 volts. The load voltage is derived from the distribution voltage using a transformer. These transformers can be installed directly at the load to supply the appropriate voltage for the application, as no vaults are needed for installation. As a result, long, expensive, low-voltage feeders are no longer necessary.

Construction:

The NEMA 3R nonventilated waterproof enclosure houses the coils and core. Encapsulated coils and core are features of Type GP units. It is recommended to use 40% inrush power factor.

Temperature class:

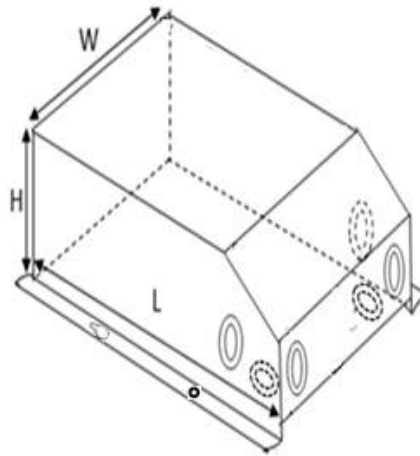
Insulation systems are categorized by industry standards using the following rating scheme.

Classification of Insulation Systems

Ambient	+ Winding Rise	+ Hot Spot	= Temp. Class
40°C	55°C	10°C	105°C
40°C	80°C	30°C	150°C
40°C	115°C	25°C	180°C
40°C	150°C	30°C	220°C

All standard, general-purpose, GE transformers meet all applicable NEMA, ANSI, UL, and IEEE standards.

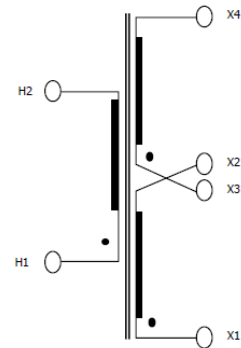
Since the permitted temperature rise of an insulating material system is based on a set life for all insulation, transformers with varied insulation systems have the same design life. Systems with lower temperatures are intended to last the same amount of time as systems with greater temperatures.



GROUP: D

Primary Voltage : 600 V @ 60Hz & 50/60Hz ; Secondary Voltage : 120/240 V

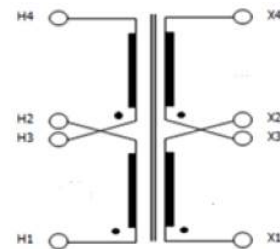
VA	Part Number	Metal Enclosure Dimensions			Approx Wt. Lbs
		L	W	H	
250	GP0250-D00EN	7.2	6.0	4.3	16
500	GP0500-D00EN	8.3	6.8	4.3	20
750	GP0750-D00EN	9.6	7.9	5.5	25
1000	GP1000-D00EN	9.6	7.9	5.5	30
1500	GP1500-D00EN	11	9.3	6.7	45
2000	GP2000-D00EN	11	9.3	6.7	50



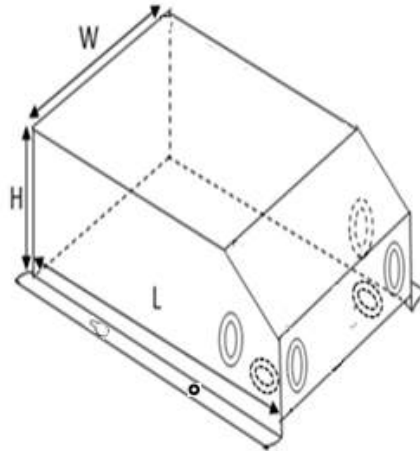
GROUP: M

Primary Voltage : 240/480 V @ 60Hz & 50/60Hz ; Secondary Voltage : 120/240 V

VA	Part Number	Metal Enclosure Dimensions			Approx Wt. Lbs
		L	W	H	
250	GP0250-M00EN	7.2	6.0	4.3	16
500	GP0500-M00EN	8.3	6.8	4.3	20
750	GP0750-M00EN	9.6	7.9	5.5	25
1000	GP1000-M00EN	9.6	7.9	5.5	30
1500	GP1500-M00EN	11	9.3	6.7	45
2000	GP2000-M00EN	11	9.3	6.7	50



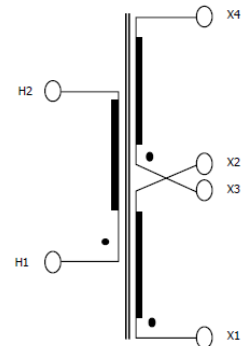
Any application, Any requirement, Contact us for our Custom Designs



GROUP: V

Primary Voltage : 208 V @ 60Hz ; Secondary Voltage : 120/240 V

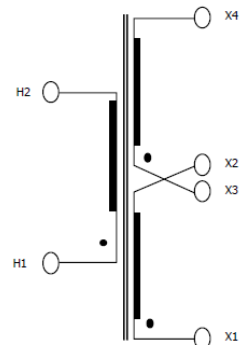
VA	Part Number	Metal Enclosure Dimensions			Approx Wt. Lbs
		L	W	H	
500	GP0500-V00EN	8.3	6.8	4.9	17
750	GP0750-V00EN	9.6	7.9	5.5	25
1000	GP1000-V00EN	9.6	7.9 <td 5.5	25	
2000	GP2000-V00EN	11	9.3	7.7	45



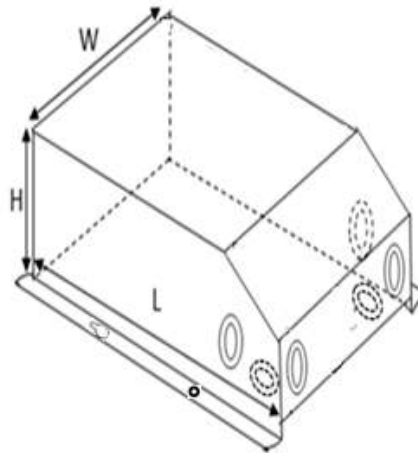
GROUP: CM

Primary Voltage : 480 V @ 60Hz & 50/60Hz ; Secondary Voltage : 120/240 V

VA	Part Number	Metal Enclosure Dimensions			Approx Wt. Lbs
		L	W	H	
250	GP0250-CM00EN	7.2	6.0	4.3	16
500	GP0500-CM00EN	8.3	6.8	4.3	20
750	GP0750-CM00EN	9.6	7.9	5.5	25
1000	GP1000-CM00EN	9.6	7.9	5.5	30
1500	GP1500-CM00EN	11	9.3	6.7	45
2000	GP2000-CM00EN	11	9.3	6.7	50



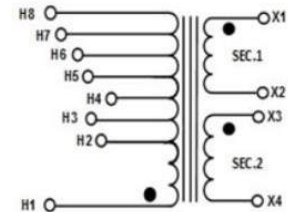
Any application, Any requirement, Contact us for our Custom Designs



GROUP: EG

Primary Voltage : 380/400/416 V @ 60Hz & 50/60Hz ; Secondary Voltage : 120/240 V

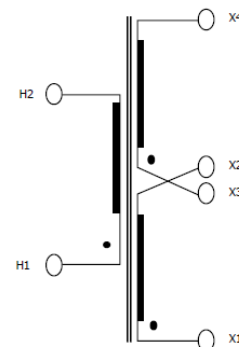
VA	Part Number	Metal Enclosure Dimensions			Approx Wt. Lbs
		L	W	H	
250	GP0250-EG00EN	7.2	6.0	4.3	16
500	GP0500-EG00EN	8.3	6.8	4.9	20
750	GP0750-EG00EN	9.6	7.9	5.5	25
1000	GP1000-EG00EN	9.6	7.9	5.5	30
1500	GP1500-EG00EN	11	9.3	6.7	45
2000	GP2000-EG00EN	11	9.3	6.7	50



GROUP: PM

Primary Voltage : 277 V @ 60Hz ; Secondary Voltage : 120/240 V

VA	Part Number	Metal Enclosure Dimensions			Approx Wt. Lbs
		L	W	H	
250	GP0250-PM00EN	7.2	6.0	4.3	10
500	GP0500-PM00EN	8.3	6.8	4.3	16
750	GP0750-PM00EN	9.6	7.9	5.5	25
1000	GP1000-PM00EN	9.6	7.9	5.5	30
1500	GP1500-PM00EN	11	9.3	6.7	45
2000	GP2000-PM00EN	11	9.3	6.7	45



Any application, Any requirement, Contact us for our Custom Designs

Isolation Transformers

Toroids

Surface Mount Transformers

Power Transformers

Medical & Dental Equipment Transformers



General Specifications:

- Input Voltages:** up to 600 Volts
- Output Voltages:** to meet the requirements of your application.
- Power Rating:** up to 225KVA
- Frequency:** - line frequency (50/60 Hz)
- high frequency (up to 400KHz available)
- Creepage:** 3mm to 12mm based on your application.
- Dielectric Strength:** up to 4KV
- Flame Rating:** UL94-HB up to UL94-V0



Visit us at

www.powervoltgroup.com

Call us at 630-628-9999

Safety — you can count on !



Typical Agency Standards:

- UL Standards:** 506/UL 5085-2, UL 60601-1
- Insulation system:** UL 1446 Recognized Class B (130°C) through Class N (200°C)
- CSA Standard:** 22.2 #66.1
- IEC/EN Standards:** 60950
- CE Compliance :** Based on customer request and region of application



Can Design to meet



Any application, Any requirement, Contact us for our Custom Designs

POWERVOLT GROUP

Class 2 UL5085-3 Transformers

Series: CL

Example: CL40V01-000 = Class 2 UL5085-3 transformer, 40VA inherently energy limited, stack 1 1/4, 120V primary and 24V secondary, foot mounted, lead wires/quick connect terminals.

Note: This is a partial listing only. Consult factory for your specific requirements. All combinations of voltage and VA may not be available. Specifications and availability subject to change. **Consult specific part number for agency approval.**

		CL	XXXX	XX	- XXX	- XX	X	X	XXX
1. Series:									
CL= Class 2 (Inherently Energy Limited)									
= * Class 2 (Non Inherently Energy Limited)									
2. VA Rating & Stack Size:									
VA	Core Size	VA	Core Size	VA	Core Size	VA	Core Size	VA	Core Size
05X = 05	3/4 X 1/2	30M = 30	3/4 X 1.0	60H = 60*	1.0 X 1.0	75J = 75*	1.0 X 1.0	85R = 85*	1.0 X 1 1/2
06ES = 06	1/2 X 1/2	40V = 40	3/4 X 1 1/4	75J = 75*	1.0 X 1.0	85R = 85*	1.0 X 1 1/2	100K = 96*	1.0 X 1 1/2
10A = 10	3/4 X 1/2	40VM = 40	3/4 X 1.0						
15B = 15	3/4 X 5/8	40E = 40	7/8 X 7/8						
20C = 20	3/4 X 5/8	50AW = 50	7/8 X 1 1/4						
3. Primary & Secondary Voltages									
Primary V	Secondary V	Primary V	Secondary V	Primary V	Secondary V	Primary V	Secondary V	Primary V	Secondary V
00 = 208/230	24	40 = 240	24	41 = 120/277	24	42 = 208/277/480	24	43 = 277/380/415	24
01 = 120	24	44 = 208/240/480	24	44 = 208/240/480	24	45 = 208	24	46 = 460/575	24
02 = 277	24	45 = 208	24	46 = 460/575	24	47 = 220/240	24	48 = 100	24
03 = 120/208/240	24	47 = 220/240	24	48 = 100	24	49 = 220	24	50 = 208/240	12
04 = 480	24	48 = 100	24	49 = 220	24	51 = 115	24	52 = 265	24
05 = 120/208/240/480	24	50 = 208/240	12	51 = 115	24	53 = 346	24	54 = 208/230/460	24
06 = 600	24	51 = 115	24	52 = 265	24	54 = 208/230/460	24	55 = 400	24
07 = 120/240	24	52 = 265	24	53 = 346	24	55 = 400	24	56 = 575/600	24
08 = 277/380/575	24	54 = 208/230/460	24	54 = 208/230/460	24	56 = 575/600	24	57 = 120/208/277/575	24
09 = 380	24	55 = 400	24	55 = 400	24	57 = 120/208/277/575	24	58 = 200/230/460	24
10 = 240	12	56 = 575/600	24	56 = 575/600	24	58 = 200/230/460	24	59 = 230/460	24
11 = 120	12	57 = 120/208/277/575	24	57 = 120/208/277/575	24	59 = 230/460	24	60 = 380/460	24
14 = 277/380/415/480	24	58 = 200/230/460	24	58 = 200/230/460	24	60 = 380/460	24	61 = 208/240	25
15 = 208/240	24	59 = 230/460	24	59 = 230/460	24	61 = 208/240	25	62 = 115/230	24
16 = 415	24	60 = 380/460	24	60 = 380/460	24	62 = 115/230	24	63 = 230	24
17 = 380/415	24	61 = 208/240	25	61 = 208/240	25	63 = 230	24	64 = 240/277/480	24
21 = 575	24	62 = 115/230	24	62 = 115/230	24	64 = 240/277/480	24		
22 = 215/230	24	63 = 230	24						
23 = 208/240/277	24	64 = 240/277/480	24						
24 = 240/480	24								
27 = 380/415/575	24								
28 = 460	24								
30 = 480/575	24								
31 = 200/230	24								
36 = 120/208/240/277	24								
4. Suffix:									
000 = Standard part, no designation									
X00 = Highest primary voltage only may be used on multiple primary winding									
0CT = Center-Tapped secondary voltage - includes a 12V winding on the 24V output									
XCT = Highest primary voltage only and Center-Tapped secondary voltage									
5. Standard Mounting & Terminations - Partial (Call for Custom Mounting & Terminations)									
HX = Foot Mount, Horizontal, Opposite Side Leads					GX = Panel Mount, Opposite Side Leads				
HS = Foot Mount, Horizontal, Same Side Leads					GS = Panel Mount, Same Side Leads				
HD = Foot Mount, Horizontal, Leads Diagonal Side					BC = 4 Foot, Screw/Leads				
VX = Foot Mount, Vertical, Opposite Side Leads					AE = Lay Down, Pri & Sec on Top Side				
VS = Foot Mount, Vertical, Same Side Leads					BB = Foot Mount, Pri & Sec on Same Side				
VD = Foot Mount, Vertical Leads Diagonal Side					AB = Foot Mount, Pri & Sec on Opposite Side				
6. Terminals Size:									
1 = Primary with 3/16, Secondary with 1/4					2 = All 1/4				
3 = Primary with 1/4, Secondary with 3/16					4 = All 3/16				
7. Fusing:									
N = No Fuse Required					F = Factory Provided Fuse				
C = Circuit Breaker Integral					K = Customer to Provide Fuse				
8. Standard: Blank Custom: To be assigned by factory									

Any application, Any requirement, Contact us for our Custom Designs

Class 2 UL5085-3 Transformer

5VA - 30VA, Inherently Energy Limited

Series: CL - Lead Wires & Quick-Connects

- Power Rating 5VA to 30VA with Lead wires
- Power Rating 10VA to 30VA with Quick-Connect Terminals
- No Secondary Fusing Required
- Frequency 50/60Hz
- Insulation Class F (155°C)



Agency Approvals:

- UL/cUL 5085-3 Class 2 Recognized (UL File E49606 & ETL Report 103284440CHI-001)
- Insulation File No. E95662

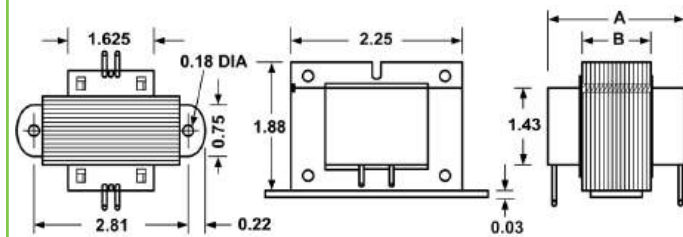


* Multi voltage combinations are available - consult factory.

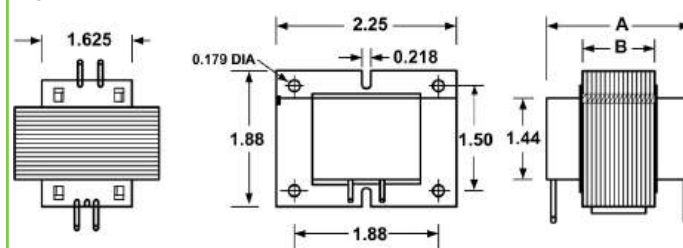
Lead Wires

Type HX Foot Mount - Steel bracket welded to the bottom of the laminations for easy mounting
Type GX Panel Mount - 0.179 (4.55 mm) diameter holes in each corner to allow direct mounting to a panel.
Lead Wires: All leads are 18 AWG stranded 2/64 (0.794 mm) insulation thickness. Standard parts have 12 (305 mm) total length with 1/2 (12.7 mm) strip.

Type HX - Foot Mount



Type GX - Panel Mount



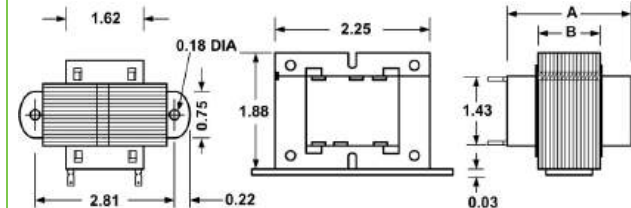
Quick-Connects

Type BB Foot Mount, Pri & Sec on Same Side - Quick connect terminals with line and load terminations on the same side of transformer.
Type AE Laydown, Pri & Sec on Top Side - Quick connect terminals with line and load terminations on the top of transformer.
Type AB Foot Mount, Pri & Sec on Opposite Side - Quick connect terminals with line and load terminations on opposite sides of transformer

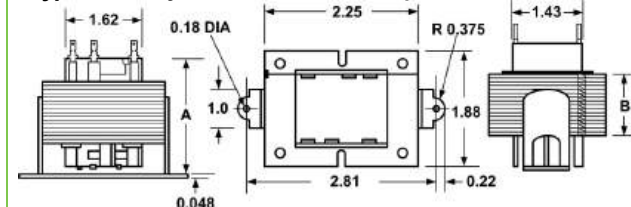
Terminals:

Standard male quick connects - 0.250 x 0.032 (6.35 x 0.81 mm)
 Other available quick connects - 0.187 x 0.032 (4.75 x 0.81 mm)

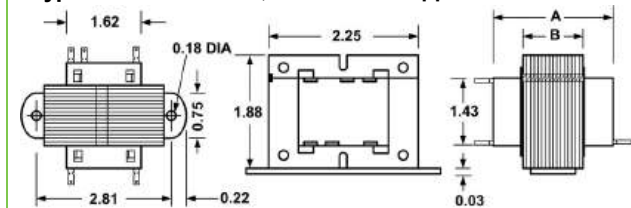
Type BB - Foot Mount, Pri & Sec on Same Side



Type AE - Laydown, Pri & Sec on Top Side



Type AB - Foot Mount, Pri & Sec on Opposite Side



Dimensions (Inches)	5VA	10VA	15VA	20VA	30VA
A	1.660	1.660	1.760	1.790	2.160
B	0.500	0.500	0.625	0.625	1.000
Weight (Lbs)	0.710	0.740	0.889	0.968	1.260

Any application, Any requirement, Contact us for our Custom Designs

Class 2 UL5085-3 Transformer

5VA - 30VA, Inherently Energy Limited

Series: CL - Lead Wires & Quick-Connects

Partial Selection Guide

Primary Voltage	Secondary Voltage	5 VA		10 VA		15VA		20 VA		30 VA	
		Size - 3/4 X 1/2	Class 2**	Size - 3/4 X 1/2	Class 2**	Size - 3/4 X 1/2	Class 2**	Size - 3/4 X 5/8	Class 2**	Size - 3/4 X 1.0	Class 2**
208/230	24V	—	-	CL10A00-000*	✓	CL15B00-000*	✓	CL20C00-000*	✓	CL30M00-000*	✓
	24Vct	CL05X00-0CT*	✓	CL10A00-0CT*	✓	CL15B00-0CT*	✓	CL20C00-0CT*	✓	—	-
120	24	CL05X01-000*	✓	CL10A01-000*	✓	CL15B01-000*	✓	CL20C01-000*	✓	CL30M01-000*	✓
	24Vct	CL05X01-0CT*	✓	CL10A01-0CT*	✓	CL15B01-0CT*	✓	CL20C01-0CT*	✓	—	-
277	12	CL05X11-000*	✓	CL10A11-000*	✓	CL15B11-000*	✓	CL20C11-000*	✓	—	-
	24	CL05X02-000*	✓	CL10A02-000*	✓	CL15B02-000*	✓	CL20C02-000*	✓	CL30M02-000*	✓
120/208/240	24Vct	CL05X02-0CT*	✓	CL10A02-0CT*	✓	CL15B02-0CT*	✓	CL20C02-0CT*	✓	—	-
	24	CL05X03-000*	✓	CL10A03-000*	✓	CL15B03-000*	✓	CL20C03-000*	✓	CL30M03-000*	✓
480	24Vct	CL05X03-0CT*	✓	CL10A03-0CT*	✓	CL15B03-0CT*	✓	CL20C03-0CT*	✓	—	-
	24	CL05X04-000*	-	CL10A04-000*	✓	CL15B04-000*	✓	CL20C04-000*	✓	CL30M04-000*	✓
600	24Vct	—	-	CL10A04-0CT*	✓	CL15B04-0CT	✓	CL20C04-0CT*	✓	—	-
	24	CL05X06-000*	✓	CL10A06-000*	✓	CL15B06-000*	✓	CL20C06-000*	✓	CL30M06-000*	✓
120/240	24Vct	CL05X06-0CT*	✓	CL10A06-0CT*	✓	CL15B06-0CT*	✓	CL20C06-0CT*	✓	—	-
	24	CL05X07-000*	✓	CL10A07-000*	✓	CL15B07-000*	✓	CL20C07-000*	✓	CL30M07-000*	✓
380	24Vct	CL05X07-0CT*	✓	CL10A07-0CT*	✓	CL15B07-0CT*	✓	CL20C07-0CT*	✓	—	-
	24	CL05X09-000*	-	CL10A09-000*	✓	—	-	CL20C09-000*	✓	CL30M09-000*	✓
240	24Vct	—	-	CL10A09-0CT*	✓	—	-	CL20C09-0CT*	✓	—	-
	24	CL05X40-000*	✓	CL10A40-000*	✓	CL15B40-000*	✓	CL20C40-000*	✓	CL30M40-000*	✓
208/240	24Vct	CL05X40-0CT*	✓	CL10A40-0CT*	✓	CL15B40-0CT*	✓	CL20C40-0CT*	✓	—	-
	12	CL05X10-000*	✓	CL10A10-000*	✓	CL15B10-000*	✓	CL20C10-000*	✓	—	-
415	24	CL05X15-000*	✓	CL10A15-000*	✓	CL15B15-000*	✓	CL20C15-000*	✓	CL30M15-000*	✓
	24Vct	CL05X15-0CT*	✓	CL10A15-0CT*	✓	CL15B15-0CT*	✓	CL20C15-0CT*	✓	—	-
380/415	12	CL05X50-000*	✓	CL10A50-000*	✓	CL15B50-000*	✓	CL20C50-000*	✓	—	-
	24	CL05X16-000*	-	CL10A16-000*	✓	—	-	CL20C16-000*	✓	CL30M16-000*	✓
575	24Vct	—	-	CL10A16-0CT*	✓	—	-	CL20C16-0CT*	✓	—	-
	24	CL05X17-000*	-	CL10A17-000*	✓	—	-	CL20C17-000*	✓	CL30M17-000*	✓
215/230	24Vct	—	-	CL10A17-0CT*	✓	—	-	CL20C17-0CT*	✓	—	-
	24	CL05X21-000*	✓	CL10A21-000*	✓	CL15B21-000*	✓	CL20C21-000*	✓	CL30M21-000*	✓
208/240/277	24Vct	CL05X21-0CT*	✓	CL10A21-0CT*	✓	CL15B21-0CT*	✓	CL20C21-0CT*	✓	—	-
	24	—	-	CL10A22-000*	✓	—	-	CL20C22-000*	✓	CL30M22-000*	✓
240/480	24Vct	—	-	CL10A22-0CT*	✓	—	-	CL20C22-0CT*	✓	—	-
	24	CL05X23-000*	✓	CL10A23-000*	-	—	-	CL20C23-000*	-	CL30M23-000*	-
380/415/575	24Vct	—	-	—	-	—	-	—	-	—	-
	24	CL05X24-000*	-	CL10A24-000*	✓	—	-	CL20C24-000*	✓	CL30M24-000*	✓
460	24Vct	—	-	CL10A24-0CT*	✓	—	-	CL20C24-0CT*	✓	—	-
	24	CL05X27-000*	-	CL10A27-000*	✓	—	-	CL20C27-000*	✓	CL30M27-000*	✓
460	24Vct	—	-	CL10A27-0CT*	✓	—	-	CL20C27-0CT*	✓	—	-
	24	CL05X28-000*	-	CL10A28-000*	✓	—	-	CL20C28-000*	✓	CL30M28-000*	✓
	24Vct	—	-	CL10A28-0CT*	✓	—	-	CL20C28-0CT*	✓	—	-

* Refer to page number 37. Must complete part number to specify voltages, termination, mounting & fusing.

For custom designs 3 digit customer ID will be added at the end of the part number.

** Per UL Standard 5085-3

Continued...

Lead Wire Details:

Primary Voltage	COM	110,115,120	200,208,215	220, 230, 240	265, 277	380	400, 415	460, 480	575	600
Color	Black	White	Red	Orange	Brown	Violet	Red/White	Black/Red	Gray	Black/White
Secondary Voltage	COM	12	24	Standard leads: All leads are 12.0" L.O.C (length out of coil) 1/2" strip						
Color	Yellow	Yellow/White	Blue							

Any application, Any requirement, Contact us for our Custom Designs

Class 2 UL5085-3 Transformer

5VA - 30VA, Inherently Energy Limited

Series: CL - Lead Wires & Quick-Connects

Partial Selection Guide (Continued)

Primary Voltage	Secondary Voltage	5 VA		10 VA		15VA		20 VA		30 VA	
		Size - 3/4 X 1/2	Class 2**	Size - 3/4 X 1/2	Class 2**	Size - 3/4 X 1/2	Class 2**	Size - 3/4 X 5/8	Class 2**	Size - 3/4 X 1.0	Class 2**
480/575	24	—	-	CL10A30-000*	✓	—	-	—	-	—	-
	24Vct	—	-	CL10A30-0CT*	✓	—	-	—	-	—	-
200/230	24	CL05X31-000*	✓	CL10A31-000*	✓	CL15B31-000*	✓	CL20C31-000*	✓	CL30M31-000*	✓
	24Vct	CL05X31-0CT*	✓	CL10A31-0CT*	✓	CL15B31-0CT*	✓	CL20C31-0CT*	✓	—	-
120/208/240/277	24	CL05X36-000*	✓	CL10A36-000*	✓	—	-	CL20C36-000*	✓	CL30M36-000*	✓
	24Vct	CL05X36-0CT*	✓	CL10A36-0CT*	✓	—	-	CL20C36-0CT*	✓	—	-
120/277	24	CL05X41-000*	✓	CL10A41-000*	✓	CL15B41-000*	✓	CL20C41-000*	✓	CL30M41-000*	✓
	24Vct	CL05X41-0CT*	✓	CL10A41-0CT*	✓	CL15B41-0CT*	✓	CL20C41-0CT*	✓	—	-
208/277/480	24	CL05X42-000*	-	CL10A42-000*	✓	—	-	CL20C42-000*	✓	CL30M42-000*	✓
	24Vct	—	-	CL10A42-0CT*	✓	—	-	CL20C42-0CT*	✓	—	-
277/380/415	24	CL05X43-000*	-	CL10A43-000*	✓	—	-	CL20C43-000*	✓	CL30M43-000*	✓
	24Vct	—	-	CL10A43-0CT*	✓	—	-	CL20C43-0CT*	✓	—	-
208/240/480	24	CL05X44-000*	-	CL10A44-000*	✓	CL15B44-000*	✓	CL20C44-000*	✓	CL30M44-000*	✓
	24Vct	—	-	CL10A44-0CT*	✓	CL15B44-0CT*	✓	CL20C44-0CT*	✓	—	-
208	24	CL05X45-000*	✓	CL10A45-000*	✓	CL15B45-000*	✓	CL20C45-000*	✓	CL30M45-000*	✓
	24Vct	CL05X45-0CT*	✓	CL10A45-0CT*	✓	CL15B45-0CT*	✓	CL20C45-0CT*	✓	—	-
220/240	24	—	-	CL10A47-000*	✓	—	-	—	-	—	-
	24Vct	—	-	CL10A47-0CT*	✓	—	-	—	-	—	-
100	24	CL05X48-000*	✓	CL10A48-000*	✓	CL15B48-000*	✓	CL20C48-000*	✓	CL30M48-000*	✓
	24Vct	CL05X48-0CT*	✓	CL10A48-0CT*	✓	CL15B48-0CT*	✓	CL20C48-0CT*	✓	—	-
220	24	CL05X49-000*	✓	CL10A49-000*	✓	CL15B49-000*	✓	CL20C49-000*	✓	CL30M49-000*	✓
	24Vct	CL05X49-0CT*	✓	CL10A49-0CT*	✓	CL15B49-0CT*	✓	CL20C49-0CT*	✓	—	-
115	24	CL05X51-000*	✓	CL10A51-000*	✓	CL15B51-000*	✓	CL20C51-000*	✓	CL30M51-000*	✓
	24Vct	CL05X51-0CT*	✓	CL10A51-0CT*	✓	CL15B51-0CT*	✓	CL20C51-0CT*	✓	—	-
265	24	CL05X52-000*	✓	CL10A52-000*	✓	CL15B52-000*	✓	CL20C52-000*	✓	CL30M52-000*	✓
	24Vct	CL05X52-0CT*	✓	CL10A52-0CT*	✓	CL15B52-0CT*	✓	CL20C52-0CT*	✓	—	-
346	24	CL05X53-000*	-	CL10A53-000*	✓	CL15B53-000*	✓	CL20C53-000*	✓	CL30M53-000*	✓
	24Vct	—	-	CL10A53-0CT*	✓	CL15B53-0CT*	✓	CL20C53-0CT*	✓	—	-
208/230/460	24	CL05X54-000*	-	CL10A54-000*	✓	CL15B54-000*	✓	CL20C54-000*	-	CL30M54-000*	✓
	24Vct	—	-	CL10A54-0CT*	✓	CL15B54-0CT*	✓	—	-	—	-
400	24	CL05X55-000*	-	—	-	—	-	—	-	—	-
	24Vct	—	-	—	-	—	-	—	-	—	-
575/600	24	CL05X56-000*	✓	CL10A56-000*	-	—	-	CL20C56-000*	-	CL30M56-000*	-
	24Vct	CL05X56-0CT*	✓	—	-	—	-	—	-	—	-
230/460	24	CL05X59-000*	-	CL10A59-000*	✓	—	-	CL20C59-000*	✓	CL30M59-000*	✓
	24Vct	—	-	CL10A59-0CT*	✓	—	-	CL20C59-0CT*	✓	—	-
380/460	24	—	-	CL10A60-000*	✓	—	-	—	-	—	-
	24Vct	—	-	CL10A60-0CT*	✓	—	-	—	-	—	-
208/240	24	—	-	—	-	CL15B15-000*	✓	—	-	CL30M15-000*	✓
	24Vct	—	-	—	-	CL15B15-0CT*	✓	—	-	—	-
115/230	24	CL05X62-000*	✓	CL10A62-000*	✓	—	-	CL20C62-000*	✓	CL30M62-000*	✓
	24Vct	CL05X62-0CT*	✓	CL10A62-0CT*	✓	—	-	CL20C62-0CT*	✓	—	-
230	24	CL05X63-000*	✓	CL10A63-000*	✓	CL15B63-000*	✓	CL20C63-000*	✓	CL30M63-000*	✓
	24Vct	CL05X63-0CT*	✓	CL10A63-0CT*	✓	CL15B63-0CT*	✓	CL20C63-0CT*	✓	—	-
240/277/480	24	CL05X64-000*	-	CL10A64-000*	✓	—	-	CL20C64-000*	✓	CL30M64-000*	✓
	24Vct	—	-	CL10A64-0CT*	✓	—	-	CL20C64-0CT*	✓	—	-

* Refer to page number 37. Must complete part number to specify voltages, termination, mounting & fusing.
 For custom designs 3 digit customer ID will be added at the end of the part number.

** Per UL Standard 5085-3

Lead Wire Details:

Primary Voltage	COM	110,115,120	200,208,215	220, 230, 240	265, 277	380	400, 415	460, 480	575	600
Color	Black	White	Red	Orange	Brown	Violet	Red/White	Black/Red	Gray	Black/White
Secondary Voltage	COM	12	24	Standard leads: All leads are 12.0" L.O.C (length out of coil) 1/2" strip						
Color	Yellow	Yellow/White	Blue							

Any application, Any requirement, Contact us for our Custom Designs

Class 2 UL5085-3 Transformer

6VA, Inherently Energy Limited

Series: CL - Lead Wires & Quick-Connects

- Power Rating 6VA
- No Secondary Fusing Required
- Frequency 50/60Hz
- Insulation Class F (155°C)



Agency Approvals:

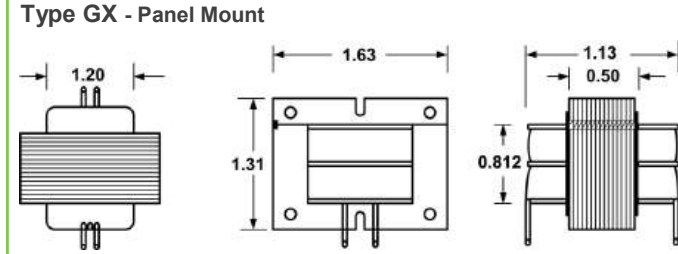
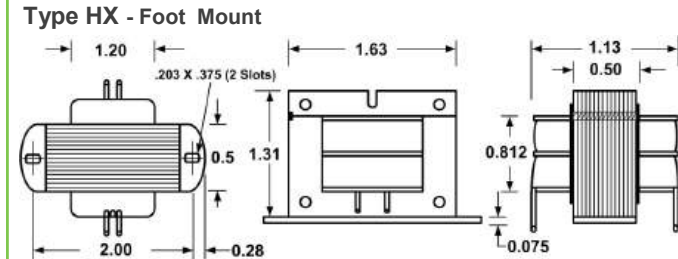
- UL/cUL 5085-3 Class 2 Recognized (File E49606)
- Insulation File No. E95662



* Multi voltage combinations are available - consult factory.

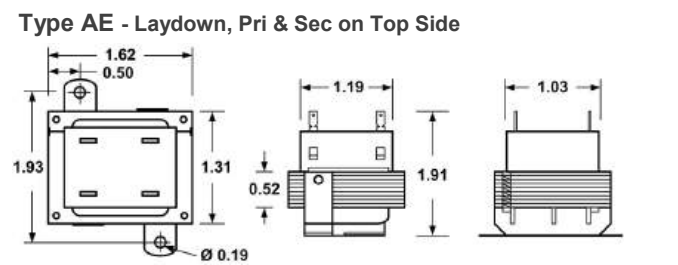
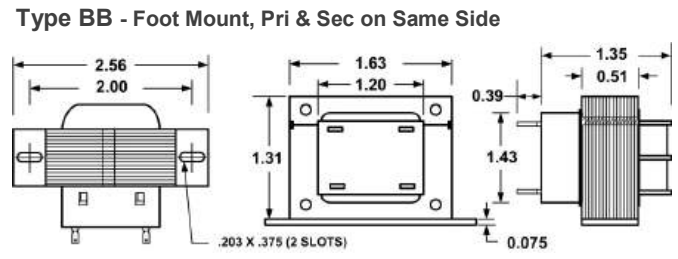
Lead Wires

Type HX Foot Mount - Steel bracket welded to the bottom of the laminations for easy mounting
Type GX Panel Mount - 0.179 (4.55 mm) diameter holes in each corner to allow direct mounting to a panel.
Lead Wires: All leads are 18 AWG stranded 2/64 (0.794 mm) insulation thickness. Standard parts have 12 (305 mm) total length with 1/2 (12.7 mm) strip.



Quick-Connects

Type BB Foot Mount, Pri & Sec on Same Side - Quick connect terminals with line and load terminations on the same side of transformer.
Type AE Laydown, Pri & Sec on Top Side - Quick connect terminals with line and load terminations on the top of transformer.
Type AB Foot Mount, Pri & Sec on Opposite Side - Quick connect terminals with line and load terminations on opposite sides of transformer
Terminals:
 Standard male quick connects - 0.250 x 0.032 (6.35 x 0.81 mm)
 Other available quick connects - 0.187 x 0.032 (4.75 x 0.81 mm)



Primary Voltage	Secondary Voltage	6VA Size - 1/2 X 1/2	UL	Weight (Lbs)
115	10	CL06ES37-000*	✓	0.350
230	10	CL06ES38-000*	✓	0.350

Any application, Any requirement, Contact us for our Custom Designs

Class 2 UL5085-3 Transformer

30VA, Non-Inherently Energy Limited

Series: CL - Lead Wires & Quick-Connects

- Power Rating 30VA
- Secondary Fusing Required (Provided by Factory)
- Frequency 50/60Hz
- Insulation Class F (155°C)

Agency Approvals:

- UL/cUL 5085-3 Class 2 Recognized (UL File E49606 & ETL Report 103284440CHI-001)
- Insulation File No. E95662

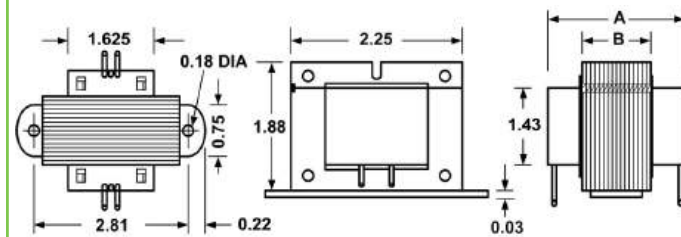


* Multi voltage combinations are available - consult factory.

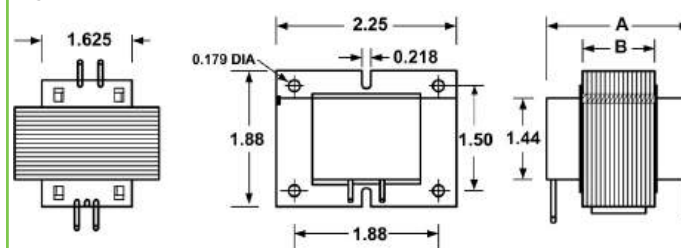
Lead Wires

Type HX Foot Mount - Steel bracket welded to the bottom of the laminations for easy mounting
Type GX Panel Mount - 0.179 (4.55 mm) diameter holes in each corner to allow direct mounting to a panel.
Lead Wires: All leads are 18 AWG stranded 2/64 (0.794 mm) insulation thickness. Standard parts have 12 (305 mm) total length with 1/2 (12.7 mm) strip.

Type HX - Foot Mount



Type GX - Panel Mount



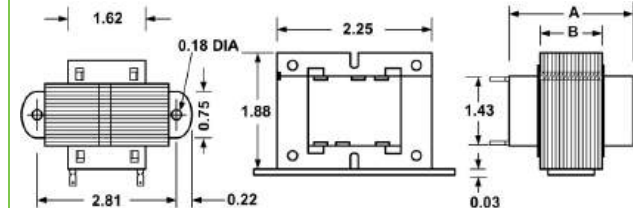
Quick-Connects

Type BB Foot Mount, Pri & Sec on Same Side - Quick connect terminals with line and load terminations on the same side of transformer.
Type AE Laydown, Pri & Sec on Top Side - Quick connect terminals with line and load terminations on the top of transformer.
Type AB Foot Mount, Pri & Sec on Opposite Side - Quick connect terminals with line and load terminations on opposite sides of transformer

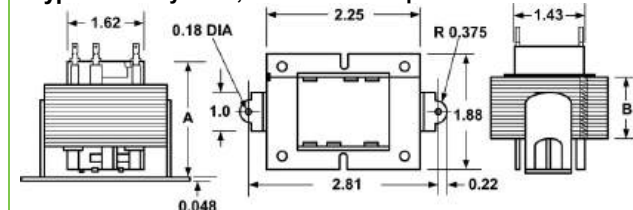
Terminals:

Standard male quick connects - 0.250 x 0.032 (6.35 x 0.81 mm)
 Other available quick connects - 0.187 x 0.032 (4.75 x 0.81 mm)

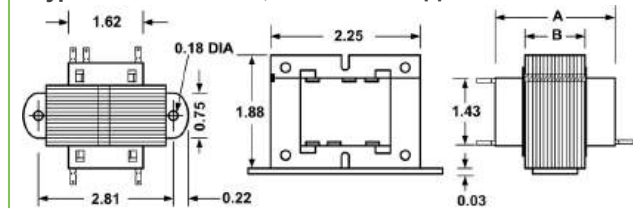
Type BB - Foot Mount, Pri & Sec on Same Side



Type AE - Laydown, Pri & Sec on Top Side



Type AB - Foot Mount, Pri & Sec on Opposite Side



Dimensions (Inches)	30VA
A	2.160
B	1.000
Weight (Lbs)	1.260

Any application, Any requirement, Contact us for our Custom Designs

Class 2 UL5085-3 Transformer

30VA, Non-Inherently Energy Limited

Series: CL - Lead Wires & Quick-Connects

Partial Selection Guide

Primary Voltage	Secondary Voltage	30 VA		Class 2**	Primary Voltage	Secondary Voltage	30 VA		Class 2**
		Size - 3/4 X 1.0					Size - 3/4 X 1.0		
208/230	24V	—	-	✓	120/208/240/277	24	—	-	✓
	24Vct	CL30M00-OCT*				24Vct	CL30M36-OCT*		
120	24	—	-	✓	120/277	24	—	-	✓
	24Vct	CL30M01-OCT*				24Vct	CL30M41-OCT*		
277	12	CL30M11-000*	✓	✓	208/277/480	24	—	-	✓
	24Vct	CL30M02-OCT*				24Vct	CL30M42-OCT*		
120/208/240	24	—	-	✓	277/380/415	24	—	-	✓
	24Vct	CL30M03-OCT*				24Vct	CL30M43-OCT*		
480	24	—	-	✓	208/240/480	24	—	-	✓
	24Vct	CL30M04-OCT*				24Vct	CL30M44-OCT*		
600	24	—	-	✓	208	24	—	-	✓
	24Vct	CL30M06-OCT*				24Vct	CL30M45-OCT*		
120/240	24	—	-	✓	100	24	—	-	✓
	24Vct	CL30M07-OCT*				24Vct	CL30M48-OCT*		
380	24	—	-	✓	220	24	—	-	✓
	24Vct	CL30M09-OCT*				24Vct	CL30M49-OCT*		
240	24	—	-	✓	115	24	—	-	✓
	24Vct	CL30M40-OCT*				24Vct	CL30M51-OCT*		
208/240	12	CL30M10-000*	✓	✓	265	24	—	-	✓
	24Vct	CL30M15-OCT*				24Vct	CL30M52-OCT*		
415	12	CL30M50-000*	✓	✓	346	24	—	-	✓
	24Vct	CL30M16-OCT*				24Vct	CL30M53-OCT*		
380/415	24	—	-	✓	208/230/460	24	—	-	✓
	24Vct	CL30M17-OCT*				24Vct	CL30M54-OCT*		
575	24	—	-	✓	400	24	—	-	-
	24Vct	CL30M21-OCT*				24	CL30M56-000*		
215/230	24	—	-	✓	575/600	24	—	-	-
	24Vct	CL30M22-OCT*				24Vct	CL30M59-000*		
208/240/277	24	CL30M23-000*	-	✓	230/460	24	—	-	✓
	24Vct	—	-			24Vct	CL30M59-OCT*		
240/480	24	—	-	✓	208/240	24	—	-	✓
	24Vct	CL30M24-OCT*				24Vct	CL30M15-OCT*		
380/415/575	24	—	-	✓	115/230	24	—	-	✓
	24Vct	CL30M27-OCT*				24Vct	CL30M62-OCT*		
460	24	—	-	✓	230	24	—	-	✓
	24Vct	CL30M28-OCT*				24Vct	CL30M63-OCT*		
200/230	24	—	-	✓	240/277/480	24	—	-	✓
	24Vct	CL30M31-OCT*				24Vct	CL30M64-OCT*		

* Refer to page number 37. Must complete part number to specify voltages, termination, mounting & fusing.
 For custom designs 3 digit customer ID will be added at the end of the part number.
 ** Per UL Standard 5085-3

Lead Wire Details:

Primary Voltage	COM	110,115,120	200,208,215	220, 230, 240	265, 277	380	400, 415	460, 480	575	600
Color	Black	White	Red	Orange	Brown	Violet	Red/White	Black/Red	Gray	Black/White
Secondary Voltage	COM	12	24	Standard leads: All leads are 12.0" L.O.C (length out of coil) 1/2" strip						
Color	Yellow	Yellow/White	Blue							

Any application, Any requirement, Contact us for our Custom Designs

Class 2 UL5085-3 Transformer

40VA, Core 3/4, Inherently Energy Limited

Series: CL - Lead Wires & Quick-Connects

- Power Rating 40VA
- No Secondary Fusing Required
- Frequency 50/60Hz
- Insulation Class F (155°C)

Agency Approvals:

- UL/cUL 5085-3 Class 2 Recognized (UL File E49606 & ETL Report 103284440CHI-001)
- Insulation File No. E95662

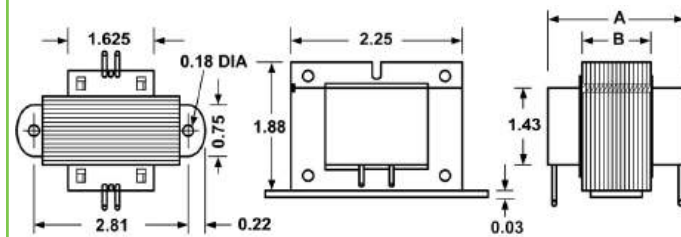


* Multi voltage combinations are available - consult factory.

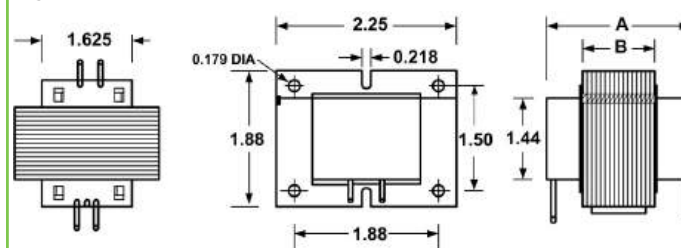
Lead Wires

Type HX Foot Mount - Steel bracket welded to the bottom of the laminations for easy mounting
Type GX Panel Mount - 0.179 (4.55 mm) diameter holes in each corner to allow direct mounting to a panel.
Lead Wires: All leads are 18 AWG stranded 2/64 (0.794 mm) insulation thickness. Standard parts have 12 (305 mm) total length with 1/2 (12.7 mm) strip.

Type HX - Foot Mount



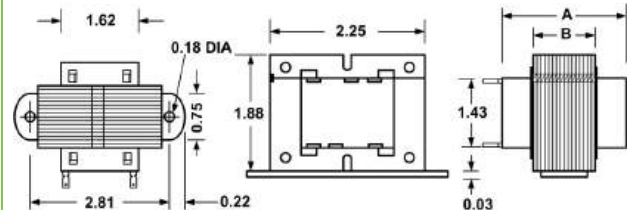
Type GX - Panel Mount



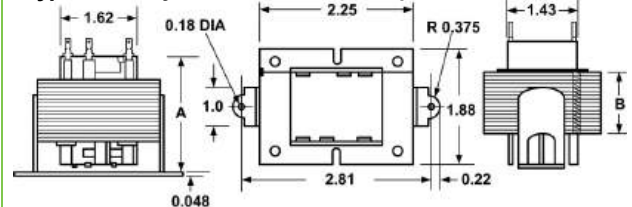
Quick-Connects

Type BB Foot Mount, Pri & Sec on Same Side - Quick connect terminals with line and load terminations on the same side of transformer.
Type AE Laydown, Pri & Sec on Top Side - Quick connect terminals with line and load terminations on the top of transformer.
Type AB Foot Mount Pri & Sec on Opposite Side - Quick connect terminals with line and load terminations on opposite sides of transformer
Terminals:
 Standard male quick connects - 0.250 x 0.032 (6.35 x 0.81 mm) Other available quick connects - 0.187 x 0.032 (4.75 x 0.81 mm)

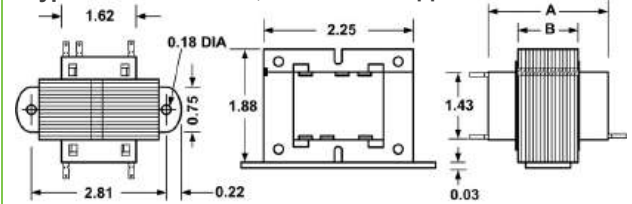
Type BB - Foot Mount, Pri & Sec on Same Side



Type AE - Laydown, Pri & Sec on Top Side



Type AB - Foot Mount, Pri & Sec on Opposite Side



Dimensions (Inches)	40VA - V	40VA - VM
A	2.410	2.160
B	1.250	1.000
Weight (Lbs)	1.450	1.200

Any application, Any requirement, Contact us for our Custom Designs

Class 2 UL5085-3 Transformer

40VA, Core 3/4, Inherently Energy Limited

Series: CL - Lead Wires & Quick-Connects

Partial Selection Guide

Primary Voltage	Secondary Voltage	40 VA Size - 3/4 X 1-1/4	Class 2**	Primary Voltage	Secondary Voltage	40 VA Size - 3/4 X 1-1/4	Class 2**
208/230	24	CL40V00-000*	✓	120/277	24	CL40V41-000*	✓
	24Vct	—	-		24Vct	—	-
120	24	CL40V01-000*	✓	208/277/480	24	CL40V42-000*	✓
	24Vct	—	-		24Vct	—	-
277	24	CL40V02-000*	✓	277/380/415	24	CL40V43-000*	✓
	24Vct	—	-		24Vct	—	-
120/208/240	24	CL40V03-000*	✓	208/240/480	24	CL40V44-000*	✓
	24Vct	—	-		24Vct	—	-
480	24	CL40V04-000*	✓	208	24	CL40V45-000*	✓
	24Vct	—	-		24Vct	—	-
600	24	CL40V06-000*	✓	220/240	24	CL40V47-000*	✓
	24Vct	—	-		24Vct	—	-
120/240	24	CL40V07-000*	✓	100	24	CL40V48-000*	✓
	24Vct	—	-		24Vct	—	-
380	24	CL40V09-000*	✓	220	24	CL40V49-000*	✓
	24Vct	—	-		24Vct	—	-
240	24	CL40V40-000*	✓	115	24	CL40V51-000*	✓
	24Vct	—	-		24Vct	—	-
208/240	24	CL40V15-000*	✓	265	24	CL40V52-000*	✓
	24Vct	—	-		24Vct	—	-
	25	CL40V61-000*	-	346	24	CL40V53-000*	✓
415	24	CL40V16-000*	✓		24Vct	—	-
	24Vct	—	-	208/230/460	24	CL40V54-000*	✓
380/415	24	CL40V17-000*	✓		24Vct	—	-
	24Vct	—	-	400	24	CL40V55-000*	-
575	24	CL40V21-000*	✓		24Vct	—	-
	24Vct	—	-	575/600	24	CL40V56-000*	-
215/230	24	CL40V22-000*	✓		24Vct	—	-
	24Vct	—	-	200/230/460	24	CL40V58-000*	-
208/240/277	24	CL40V23-000*	✓		24Vct	—	-
	24Vct	—	-	230/460	24	CL40V59-000*	✓
240/480	24	CL40V24-000*	✓		24Vct	—	-
	24Vct	—	-	380/460	24	CL40V60-000*	-
380/415/575	24	CL40V27-000*	✓		24Vct	—	-
	24Vct	—	-	208/240	24	CL40V15-000*	✓
460	24	CL40V28-000*	✓		24Vct	—	-
	24Vct	—	-	115/230	24	CL40V62-000*	✓
480/575	24	CL40V30-000*	✓		24Vct	—	-
	24Vct	—	-	230	24	CL40V63-000*	✓
200/230	24	CL40V31-000*	✓		24Vct	—	-
	24Vct	—	-	240/277/480	24	CL40V64-000*	✓
120/208/240/277	24	CL40V36-000*	✓		24Vct	—	-
	24Vct	—	-				

* Refer to page number 37. Must complete part number to specify voltages, termination, mounting & fusing.
For custom designs 3 digit customer ID will be added at the end of the part number.

** Per UL Standard 5085-3

Lead Wire Details:

Primary Voltage	COM	110, 115, 120	200, 208, 215	220, 230, 240	265, 277	380	400, 415	460, 480	575	600
Color	Black	White	Red	Orange	Brown	Violet	Red/White	Black/Red	Gray	Black/White
Secondary Voltage	COM	12	24	Standard leads: All leads are 12.0" L.O.C (length out of coil) 1/2" strip						
Color	Yellow	Yellow/White	Blue							

Any application, Any requirement, Contact us for our Custom Designs

POWERVOLT GROUP

Class 2 UL5085-3 Transformer

40VA, Core 3/4, Non-Inherently Energy Limited

Series: CL - Lead Wires & Quick-Connects

- Power Rating 40VA
- Secondary Fusing Required (Provided by Factory)
- Frequency 50/60Hz
- Insulation Class F (155°C)
Class B (130°C) Insulation available

Agency Approvals:

- UL/cUL 5085-3 Class 2 Recognized
(UL File E49606 & ETL Report 103284440CHI-001)
- Insulation File No. E95662

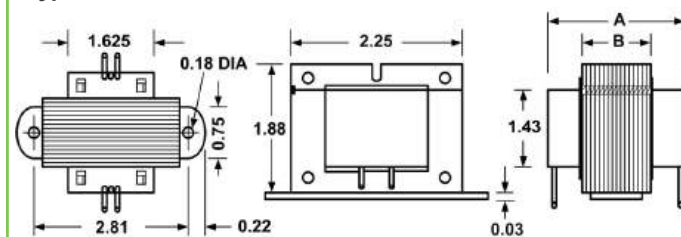


* Multi voltage combinations are available - consult factory.

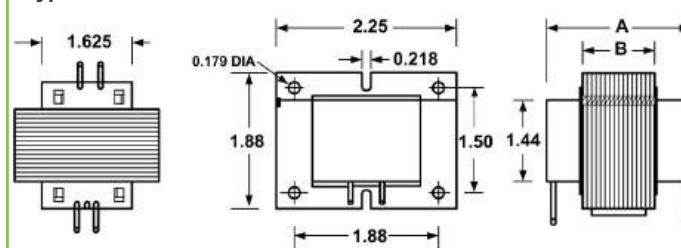
Lead Wires

Type HX Foot Mount - Steel bracket welded to the bottom of the laminations for easy mounting
Type GX Panel Mount - 0.179 (4.55 mm) diameter holes in each corner to allow direct mounting to a panel.
Lead Wires: All leads are 18 AWG stranded 2/64 (0.794 mm) insulation thickness. Standard parts have 12 (305 mm) total length with 1/2 (12.7 mm) strip.

Type HX - Foot Mount



Type GX - Panel Mount



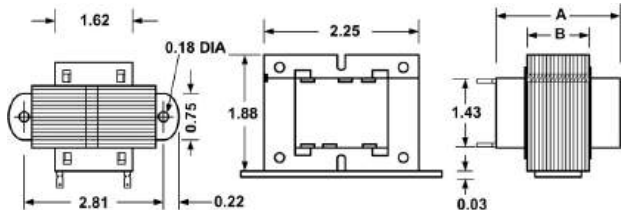
Quick-Connects

Type BB Foot Mount, Pri & Sec on Same Side - Quick connect terminals with line and load terminations on the same side of transformer.
Type AE Laydown, Pri & Sec on Top Side - Quick connect terminals with line and load terminations on the top of transformer.
Type AB Foot Mount Pri & Sec on Opposite Side - Quick connect terminals with line and load terminations on opposite sides of transformer

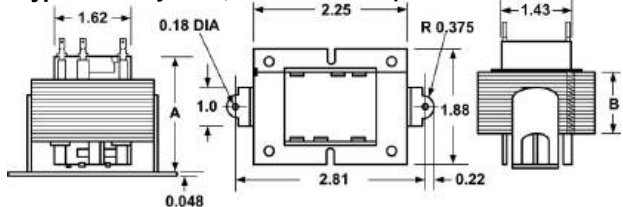
Terminals:

Standard male quick connects - 0.250 x 0.032 (6.35 x 0.81 mm) Other available quick connects - 0.187 x 0.032 (4.75 x 0.81 mm)

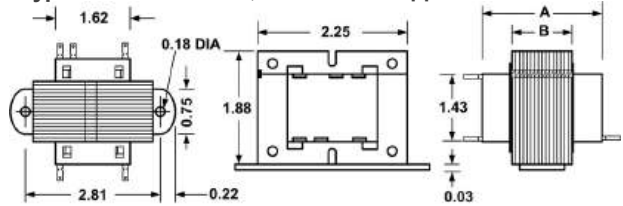
Type BB - Foot Mount, Pri & Sec on Same Side



Type AE - Laydown, Pri & Sec on Top Side



Type AB - Foot Mount, Pri & Sec on Opposite Side



Dimensions (Inches)	40VA - V
A	2.410
B	1.250
Weight (Lbs)	0.710

Any application, Any requirement, Contact us for our Custom Designs

Class 2 UL5085-3 Transformer

40VA, Core 3/4, Non-Inherently Energy Limited

Series: CL - Lead Wires & Quick-Connects

Partial Selection Guide

Primary Voltage	Secondary Voltage	40 VA Size - 3/4 X 1-1/4	Class 2**	40 VA Size - 3/4 X 1.00	Class 2**
208/230	24	—	-	—	-
	24Vct	CL40V00-OCT*	✓	—	-
	12	CL40V11-000*	✓	—	-
120	24	—	-	CL40VM01-000*	✓
	24Vct	CL40V01-OCT*	✓	CL40VM01-OCT*	✓
277	24	—	-	CL40VM02-000*	✓
	24Vct	CL40V02-OCT*	✓	CL40VM02-OCT*	✓
120/208/240	24	—	-	—	-
	24Vct	CL40V03-OCT*	✓	—	-
480	24	—	-	CL40VM04-000*	✓
	24Vct	CL40V04-OCT*	✓	CL40VM04-OCT*	✓
600	24	—	-	CL40VM06-000*	✓
	24Vct	CL40V06-OCT*	✓	CL40VM06-OCT*	✓
120/240	24	—	-	—	-
	24Vct	CL40V07-OCT*	✓	—	-
380	24	—	-	CL40VM09-000*	✓
	24Vct	CL40V09-OCT*	✓	CL40VM09-OCT*	✓
240	24	—	-	CL40VM40-000*	✓
	24Vct	CL40V40-OCT*	✓	CL40VM40-OCT*	✓
	12	CL40V10-000*	✓	—	-
	12	CL40V50-000*	✓	—	-
208/240	24	—	-	CL40VM15-000*	✓
	24Vct	CL40V15-OCT*	✓	CL40VM15-OCT*	✓
415	24	—	-	CL40VM16-000*	✓
	24Vct	CL40V16-OCT*	✓	CL40VM16-OCT*	✓
380/415	24	—	-	—	-
	24Vct	CL40V17-OCT*	✓	—	-
575	24	—	-	CL40VM21-000*	✓
	24Vct	CL40V21-OCT*	✓	CL40VM21-OCT*	✓
215/230	24	—	-	CL40VM22-000*	✓
	24Vct	CL40V22-OCT*	✓	CL40VM22-OCT*	✓
208/240/277	24	—	-	—	-
	24Vct	CL40V23-OCT*	-	—	-
240/480	24	—	-	—	-
	24Vct	CL40V24-OCT*	✓	—	-
380/415/575	24	—	-	—	-
	24Vct	CL40V27-OCT*	✓	—	-
460	24	—	-	—	-
	24Vct	CL40V28-OCT*	✓	—	-
480/575	24	—	-	—	-
	24Vct	CL40V30-OCT*	✓	—	-
200/230	24	—	-	—	-
	24Vct	CL40V31-OCT*	✓	—	-
120/208/240/277	24	—	-	—	-
	24Vct	CL40V36-OCT*	✓	—	-
120/277	24	—	-	—	-
	24Vct	CL40V41-OCT*	✓	—	-

* Refer to page number 37. Must complete part number to specify voltages, termination, mounting & fusing.
For custom designs 3 digit customer ID will be added at the end of the part number.

Continued...

** Per UL Standard 5085-3

Lead Wire Details:

Primary Voltage	COM	110,115,120	200,208,215	220, 230, 240	265, 277	380	400, 415	460, 480	575	600
Color	Black	White	Red	Orange	Brown	Violet	Red/White	Black/Red	Gray	Black/White
Secondary Voltage	COM	12	24	Standard leads: All leads are 12.0" L.O.C (length out of coil) 1/2" strip						
Color	Yellow	Yellow/White	Blue							

Any application, Any requirement, Contact us for our Custom Designs

POWERVOLT GROUP

Class 2 UL5085-3 Transformer

40VA, Core 3/4, Non-Inherently Energy Limited

Series: CL - Lead Wires & Quick-Connects

Partial Selection Guide (Continued)

Primary Voltage	Secondary Voltage	40 VA Size - 3/4 X 1-1/4	Class 2**	40 VA Size - 3/4 X 1.00	Class 2**
208/277/480	24	—	-	—	-
	24Vct	CL40V42-0CT*	✓	—	-
277/380/415	24	—	-	—	-
	24Vct	CL40V43-0CT*	✓	—	-
208/240/480	24	—	-	—	-
	24Vct	CL40V44-0CT*	✓	—	-
208	24	—	-	CL40VM45-000*	✓
	24Vct	CL40V45-0CT*	✓	CL40VM45-0CT*	✓
220/240	24	—	-	CL40VM47-000*	✓
	24Vct	CL40V47-0CT*	✓	CL40VM47-0CT*	✓
100	24	—	-	CL40VM48-000*	✓
	24Vct	CL40V48-0CT*	✓	CL40VM48-0CT*	✓
220	24	—	-	CL40VM49-000*	✓
	24Vct	CL40V49-0CT*	✓	CL40VM49-0CT*	✓
115	24	—	-	CL40VM51-000*	✓
	24Vct	CL40V51-0CT*	✓	CL40VM51-0CT*	✓
265	24	—	-	CL40VM52-000*	✓
	24Vct	CL40V52-0CT*	✓	CL40VM52-0CT*	✓
346	24	—	-	CL40VM53-000*	✓
	24Vct	CL40V53-0CT*	✓	CL40VM53-0CT*	✓
208/230/460	24	—	-	—	-
	24Vct	CL40V54-0CT*	✓	—	-
400	24	—	-	—	-
	24Vct	CL40V55-0CT*	-	—	-
575/600	24	—	-	—	-
	24Vct	CL40V56-0CT*	-	—	-
200/230/460	24	—	-	—	-
	24Vct	CL40V58-0CT*	-	—	-
230/460	24	—	-	—	-
	24Vct	CL40V59-0CT*	✓	—	-
380/460	24	—	-	—	-
	24Vct	CL40V60-0CT*	-	—	-
208/240	24	—	-	CL40VM15-000*	✓
	24Vct	CL40V15-0CT*	✓	CL40VM15-0CT*	✓
115/230	25	CL40V61-0CT*	-	—	-
	24	—	-	CL40VM62-000*	✓
230	24Vct	CL40V62-0CT*	✓	CL40VM62-0CT*	✓
	24	—	-	CL40VM63-000*	✓
240/277/480	24Vct	CL40V63-0CT*	✓	CL40VM63-0CT*	✓
	24	—	-	—	-
	24Vct	CL40V64-0CT*	✓	—	-

* Refer to page number 37. Must complete part number to specify voltages, termination, mounting & fusing.

For custom designs 3 digit customer ID will be added at the end of the part number.

** Per UL Standard 5085-3

Lead Wire Details:

Primary Voltage	COM	110,115,120	200,208,215	220, 230, 240	265, 277	380	400, 415	460, 480	575	600
Color	Black	White	Red	Orange	Brown	Violet	Red/White	Black/Red	Gray	Black/White
Secondary Voltage	COM	12	24	Standard leads: All leads are 12.0" L.O.C (length out of coil) 1/2" strip						
Color	Yellow	Yellow/White	Blue							

Any application, Any requirement, Contact us for our Custom Designs

POWERVOLT GROUP



Swimming Pool, Spas & Water Treatment Equipment



Home Appliances



HVAC Equipment



Laundry Equipment



Beverage Dispensers



Irrigation System



Vending Machines

Any application, Any requirement, Contact us for our Custom Designs

POWERVOLT GROUP

Class 2 UL5085-3 Transformer

40VA - 50VA, Core 7/8, Inherently Energy Limited

Series: CL - Lead Wires & Quick-Connects

- Power Rating 40VA to 50VA
- No Secondary Fusing Required
- Frequency 50/60Hz
- Insulation Class F (155°C)
Class B (130°C) Insulation available

Agency Approvals:

- UL/cUL 5085-3 Class 2 Recognized (File E49606)
- Insulation File No. E95662



* Multi voltage combinations are available - consult factory.

Lead Wires

Type HX Foot Mount - Steel bracket welded to the bottom of the laminations for easy mounting
Type GX Panel Mount - 0.156 (3.96 mm) diameter holes in each corner to allow direct mounting to a panel.
Lead Wires: All leads are 18 AWG stranded 2/64 (0.794 mm) insulation thickness. Standard parts have 12 (305 mm) total length with 1/2 (12.7 mm) strip.

Quick-Connects

Type BB Foot Mount, Pri & Sec on Same Side - Quick connect terminals with line and load terminations on the same side of transformer.
Type AE Laydown, Pri & Sec on Top Side - Quick connect terminals with line and load terminations on the top of transformer.
Type AB Foot Mount, Pri & Sec on Opposite Side - Quick connect terminals with line and load terminations on opposite sides of transformer

Terminals:
Standard male quick connects - 0.250 x 0.032 (6.35 x 0.81mm)
Other available quick connects - 0.187 x 0.032 (4.75 x 0.81mm)

Dimensions (Inches)	40VA - E	50VA - AW
A	2.000	2.470
B	0.890	1.250
Weight (Lbs)	0.740	0.968

Any application, Any requirement, Contact us for our Custom Designs

Class 2 UL5085-3 Transformer

40VA - 50VA, Core 7/8, Inherently Energy Limited

Series: CL - Lead Wires & Quick-Connects

Partial Selection Guide

Primary Voltage	Secondary Voltage	40 VA		UL	50 VA	
		Size - 7/8 X 7/8			Size - 7/8 X 1-1/4	UL
208/230	24	CL40E00-000*	✓	-	-	
120	24	CL40E01-000*	✓	CL50AW01-000*	✓	
277	24	CL40E02-000*	✓	CL50AW02-000*	✓	
120/208/240	24	CL40E03-000*	✓	CL50AW03-000*	✓	
480	24	CL40E04-000*	✓	CL50AW04-000*	✓	
120/208/240/480	24	-	-	CL50AW05-000*	✓	
600	24	CL40E06-000*	✓	CL50AW06-000*	✓	
120/240	24	CL40E07-000*	-	CL50AW07-000*	✓	
380	24	CL40E09-000*	-	CL50AW09-000*	✓	
240	24	CL40E40-000*	✓	CL50AW40-000*	✓	
208/240	24	CL40E15-000*	✓	CL50AW15-000*	✓	
	25	CL40E61-000*	-	CL50AW61-000*	✓	
415	24	CL40E16-000*	-	-	-	
380/415	24	CL40E17-000*	-	CL50AW17-000*	✓	
575	24	CL40E21-000*	-	CL50AW21-000*	✓	
215/230	24	CL40E22-000*	✓	CL50AW22-000*	✓	
208/240/277	24	CL40E23-000*	-	-	-	
240/480	24	CL40E24-000*	-	CL50AW24-000*	✓	
380/415/575	24	CL40E27-000*	-	-	-	
460	24	CL40E28-000*	-	-	-	
480/575	24	CL40E30-000*	-	CL50AW30-000*	✓	
120/208/240/277	24	CL40E36-000*	-	-	-	
120/277	24	CL40E41-000*	-	CL50AW41-000*	✓	
208/277/480	24	CL40E42-000*	-	-	-	
277/380/415	24	CL40E43-000*	-	-	-	
208/240/480	24	CL40E44-000*	-	CL50AW44-000*	✓	
208	24	CL40E45-000*	-	CL50AW45-000*	✓	
220/240	24	CL40E47-000*	-	CL50AW47-000*	✓	
100	24	CL40E48-000*	✓	CL50AW48-000*	✓	
220	24	CL40E49-000*	-	CL50AW49-000*	✓	
115	24	CL40E51-000*	-	CL50AW51-000*	✓	
265	24	CL40E52-000*	-	CL50AW52-000*	✓	
346	24	CL40E53-000*	-	CL50AW53-000*	✓	
208/230/460	24	CL40E54-000*	-	CL50AW54-000*	✓	
400	24	CL40E55-000*	-	CL50AW55-000*	✓	
575/600	24	CL40E56-000*	-	-	-	
200/230/460	24	CL40E58-000*	-	CL50AW58-000*	✓	
230/460	24	CL40E59-000*	-	CL50AW59-000*	✓	
380/460	24	CL40E60-000*	-	CL50AW60-000*	✓	
115/230	24	CL40E62-000*	-	-	-	
230	24	CL40E63-000*	-	-	-	
240/277/480	24	CL40E64-000*	-	-	-	

* Refer to page number 37. Must complete part number to specify voltages, termination, mounting & fusing. For custom designs 3 digit customer ID will be added at the end of the part number.

Lead Wire Details:

Primary Voltage	COM	110,115,120	200,208,215	220, 230, 240	265, 277	380	400, 415	460, 480	575	600
Color	Black	White	Red	Orange	Brown	Violet	Red/White	Black/Red	Gray	Black/White
Secondary Voltage	COM	12	24	Standard leads: All leads are 12.0" L.O.C (length out of coil) 1/2" strip						
Color	Yellow	Yellow/White	Blue							

Any application, Any requirement, Contact us for our Custom Designs

Class 2 UL5085-3 Transformer

40VA - 50VA, Core 7/8, Non-Inherently Energy Limited

Series: CL - Lead Wires & Quick-Connects

- Power Rating 40VA to 50VA
- Secondary Fusing Required (Provided by Factory)
- Frequency 50/60Hz
- Insulation Class F (155°C)
Class B (130°C) Insulation available



Agency Approvals:

- UL/cUL 5085-3 Class 2 Recognized (File E49606)
- Insulation File No. E95662

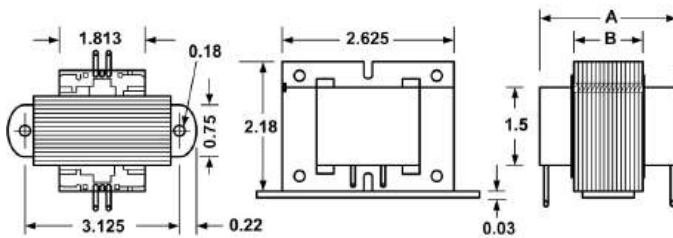


* Multi voltage combinations are available - consult factory.

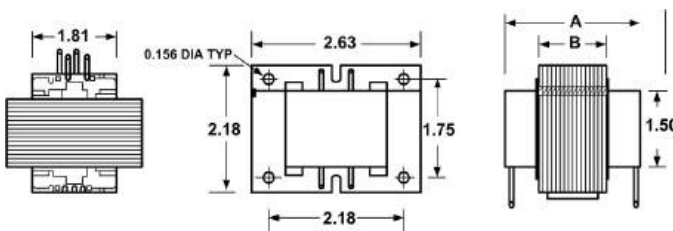
Lead Wires

Type HX Foot Mount - Steel bracket welded to the bottom of the laminations for easy mounting
Type GX Panel Mount - 0.156 (3.96 mm) diameter holes in each corner to allow direct mounting to a panel.
Lead Wires: All leads are 18 AWG stranded 2/64 (0.794 mm) insulation thickness. Standard parts have 12 (305 mm) total length with 1/2 (12.7 mm) strip.

Type HX - Foot Mount



Type GX - Panel Mount



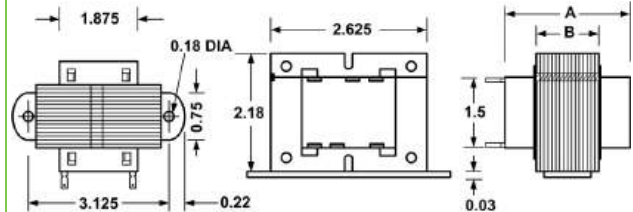
Quick-Connects

Type BB Foot Mount, Pri & Sec on Same Side - Quick connect terminals with line and load terminations on the same side of transformer.
Type AE Laydown, Pri & Sec on Top Side - Quick connect terminals with line and load terminations on the top of transformer.
Type AB Foot Mount, Pri & Sec on Opposite Side - Quick connect terminals with line and load terminations on opposite sides of transformer

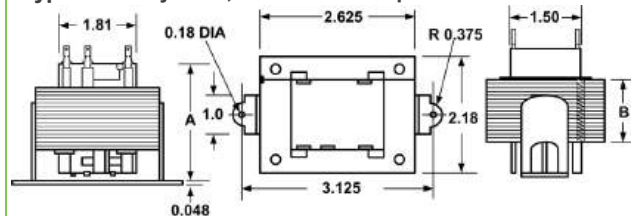
Terminals:

Standard male quick connects - 0.250 x 0.032 (6.35 x 0.81mm)
 Other available quick connects - 0.187 x 0.032 (4.75 x 0.81mm)

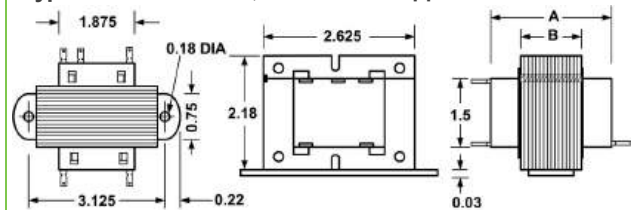
Type BB - Foot Mount, Pri & Sec on Same Side



Type AE - Laydown, Pri & Sec on Top Side



Type AB - Foot Mount, Pri & Sec on Opposite Side



Dimensions (Inches)	40VA - E	50VA - AW
A	2.000	2.470
B	0.890	1.250
Weight (Lbs)	0.740	0.968

Any application, Any requirement, Contact us for our Custom Designs

Class 2 UL5085-3 Transformer
40VA - 50VA, Core 7/8, Non-Inherently Energy Limited
Series: CL - Lead Wires & Quick-Connects

Partial Selection Guide

Primary Voltage	Secondary Voltage	40 VA Size - 7/8 X 7/8	UL	50 VA Size - 7/8 X 1-1/4	UL
208/230	24Vct	—	-	CL50AW00-0CT*	✓
120	12	CL40E11-000*	✓	CL50AW11-000*	✓
	24Vct	—	-	CL50AW01-0CT*	✓
277	24Vct	CL40E02-0CT*	✓	CL50AW02-0CT*	✓
120/208/240	24Vct	—	-	CL50AW03-0CT*	✓
480	24Vct	CL40E04-0CT*	✓	CL50AW04-0CT*	✓
120/208/240/480	24Vct	—	-	CL50AW05-0CT*	✓
600	24Vct	CL40E06-0CT*	✓	CL50AW06-0CT*	✓
120/240	24Vct	—	-	CL50AW07-0CT*	✓
240	24Vct	CL40E40-0CT*	✓	CL50AW40-0CT*	✓
	12	CL40E10-000*	✓	CL50AW10-000*	✓
208/240	12	CL40E50-000*	✓	CL50AW50-000*	✓
	24Vct	CL40E15-0CT*	✓	CL50AW15-0CT*	✓
380/415	24Vct	—	-	CL50AW17-0CT*	✓
575	24Vct	—	-	CL50AW21-0CT	✓
215/230	24Vct	—	-	CL50AW22-0CT*	✓
208/240/277	24Vct	—	-	CL50AW23-0CT*	✓
480/575	24Vct	—	-	CL50AW30-0CT	✓
120/277	24Vct	—	-	CL50AW41-0CT	✓
208/240/480	24Vct	—	-	CL50AW44-0CT*	✓
208	24Vct	—	-	CL50AW45-0CT	✓
220/240	24Vct	—	-	CL50AW47-0CT	✓
100	24Vct	CL40E48-0CT*	✓	CL50AW48-0CT*	✓
220	24Vct	—	-	CL50AW49-0CT*	✓
115	24Vct	—	-	CL50AW51-0CT*	✓
265	24Vct	—	-	CL50AW52-0CT*	✓
346	24Vct	—	-	CL50AW53-0CT*	✓
208/230/460	24Vct	—	-	CL50AW54-0CT	✓
400	24Vct	—	-	CL50AW55-0CT*	✓
200/230/460	24Vct	—	-	CL50AW58-0CT*	✓
230/460	24Vct	—	-	CL50AW59-0CT*	✓
380/460	24Vct	—	-	CL50AW60-0CT*	✓

* Refer to page number 37. Must complete part number to specify voltages, termination, mounting & fusing. For custom designs 3 digit customer ID will be added at the end of the part number.

Lead Wire Details:

Primary Voltage	COM	110,115,120	200,208,215	220, 230, 240	265, 277	380	400, 415	460, 480	575	600
Color	Black	White	Red	Orange	Brown	Violet	Red/White	Black/Red	Gray	Black/White
Secondary Voltage	COM	12	24	Standard leads: All leads are 12.0 L.O.C (length out of coil) 1/2 strip						
Color	Yellow	Yellow/White	Blue							

Any application, Any requirement, Contact us for our Custom Designs

Class 2 UL5085-3 Transformer

60VA - 75VA, Non-Inherently Energy Limited

Series: CL - Lead Wires & Quick-Connects

- Power Rating 60VA to 75VA
- Secondary Fusing Required (Provided by Factory)
- Frequency 50/60Hz
- Insulation Class F (155°C)
Class B (130°C) Insulation available



Agency Approvals:

- UL/cUL 5085-3 Class 2 Recognized (File E49606)
- Insulation File No. E95662



* 60 & 75VA transformers must have overcurrent protectors in series with the secondary winding.

Lead Wires

Type HX Foot Mount - Steel bracket welded to the bottom of the laminations for easy mounting
Type GX Panel Mount - 0.218 (5.54 mm) diameter holes in each corner to allow direct mounting to a panel.
Lead Wires: All leads are 18 AWG stranded 2/64 (0.794 mm) insulation thickness. Standard parts have 12 (305 mm) total length with 1/2 (12.7 mm) strip.

Type HX - Foot Mount, Internally Fused

Type HX - Foot Mount, Integral Circuit Breaker

Type GX - Panel Mount

Quick-Connects

Type BB Foot Mount, Pri & Sec on Same Side - Quick connect terminals with line and load terminations on the same side of transformer.
Type AE Laydown, Pri & Sec on Top Side - Quick connect terminals with line and load terminations on the top of transformer.
Type AB Foot Mount, Pri & Sec on Opposite Side - Quick connect terminals with line and load terminations on opposite sides of transformer

Terminals:
Standard male quick connects - .250 x .032 (6.35 x .81mm).
Other available quick connects - .187 x .032 (4.75 x .81 mm)

Type BB - Foot Mount, Pri & Sec on Same Side

Type AE - Laydown, Pri & Sec on Top side, Internally Fused

Type AE - Laydown Termination, Pri & Sec on Top Side, Integral Circuit Breaker

Dimensions (Inches)	Internally Fused	w/ Integral Circuit Breaker	Standard Part
A	2.500	3.300	2.500
B	1.000	1.000	1.000

Any application, Any requirement, Contact us for our Custom Designs

Class 2 UL5085-3 Transformer

60VA - 75VA, Non-Inherently Energy Limited

Series: CL - Lead Wires & Quick-Connects

Partial Selection Guide

Primary Voltage	Secondary Voltage	60 VA		UL	75 VA	
		Size - 1.0 X 1.0			Size - 1.0 X 1.0	UL
208/230	24	CL60H00-000*	✓	CL75J00-000*	✓	
	24Vct	CL60H00-0CT*	✓	CL75J00-0CT*	✓	
120	24	CL60H01-000*	✓	CL75J01-000*	✓	
	24Vct	CL60H01-0CT*	✓	CL75J01-0CT*	✓	
277	24	CL60H02-000*	✓	CL75J02-000*	✓	
	24Vct	CL60H02-0CT*	✓	CL75J02-0CT*	✓	
120/208/240	24	CL60H03-000*	✓	CL75J03-000*	✓	
	24Vct	CL60H03-0CT*	✓	CL75J03-0CT*	✓	
480	24	CL60H04-000*	✓	CL75J04-000*	✓	
	24Vct	CL60H04-0CT*	✓	CL75J04-0CT*	✓	
120/208/240/480	24	-	-	CL75J05-000*	✓	
	24Vct	-	-	CL75J05-0CT*	✓	
600	24	CL60H06-000*	✓	CL75J06-000*	-	
	24Vct	CL60H06-0CT*	✓	CL75J06-0CT*	-	
277/380/575	24	CL60H08-000*	✓	CL75J08-000*	✓	
	24Vct	CL60H08-0CT*	✓	CL75J08-0CT*	✓	
380	24	CL60H09-000*	✓	CL75J09-000*	-	
	24Vct	CL60H09-0CT*	✓	CL75J09-0CT*	-	
277/380/415/480	24	-	-	CL75J14-000*	✓	
	24Vct	-	-	CL75J14-0CT*	✓	
208/240	24	CL60H15-000*	✓	CL75J15-000*	✓	
	12	CL60H50-000*	✓	-	-	
380/415	24Vct	CL60H15-0CT*	✓	CL75J15-0CT*	✓	
	24	CL60H17-000*	✓	CL75J17-000*	-	
575	24Vct	CL60H17-0CT*	✓	CL75J17-0CT*	-	
	24	CL60H21-000*	✓	CL75J21-000*	✓	
480/575	24Vct	CL60H21-0CT*	✓	CL75J21-0CT*	✓	
	24	CL60H30-000*	✓	CL75J30-000*	-	
200/230	24Vct	CL60H30-0CT*	✓	CL75J30-0CT*	-	
	24	CL60H31-000*	✓	CL75J31-000*	✓	
240	24Vct	CL60H31-0CT*	✓	CL75J31-0CT*	✓	
	24	CL60H40-000*	✓	CL75J40-000*	✓	
120/277	24Vct	CL60H40-0CT*	✓	CL75J40-0CT*	✓	
	24	CL60H41-000*	✓	CL75J41-000*	✓	
208/240/480	24Vct	CL60H41-0CT*	✓	CL75J41-0CT*	✓	
	24	CL60H44-000*	✓	CL75J44-000*	-	
208	24Vct	CL60H44-0CT*	✓	CL75J44-0CT*	-	
	24	CL60H45-000*	✓	CL75J45-000*	✓	
100	24Vct	CL60H45-0CT*	✓	CL75J45-0CT*	✓	
	24	CL60H48-000*	✓	CL75J48-000*	✓	
265	24Vct	CL60H48-0CT*	✓	CL75J48-0CT*	✓	
	24	CL60H52-000*	✓	CL75J52-000*	✓	
208/230/460	24Vct	CL60H52-0CT*	✓	CL75J52-0CT*	✓	
	24	CL60H54-000*	✓	CL75J54-000*	-	
380/460	24Vct	CL60H54-0CT*	✓	CL75J54-0CT*	-	
	24	CL60H60-000*	✓	CL75J60-000*	-	
	24Vct	CL60H60-0CT*	✓	CL75J60-0CT*	-	

* Refer to page number 37. Must complete part number to specify voltages, termination, mounting & fusing. For custom designs 3 digit customer ID will be added at the end of the part number.

Lead Wire Details:

Primary Voltage	COM	110,115,120	200,208,215	220, 230, 240	265, 277	380	400, 415	460, 480	575	600
Color	Black	White	Red	Orange	Brown	Violet	Red/White	Black/Red	Gray	Black/White
Secondary Voltage	COM	12	24	Standard leads: All leads are 12.0 L.O.C (length out of coil) 1/2 strip						
Color	Yellow	Yellow/White	Blue							

Any application, Any requirement, Contact us for our Custom Designs

Class 2 UL5085-3 Transformer

80VA - 100VA, Non-Inherently Energy Limited

Series: CL - Lead Wires

- Power Rating 80VA to 100VA
- Secondary Fusing Required (Provided by Factory),
- Frequency 50/60Hz
- Insulation Class F (155°C)
Class B (130°C) Insulation available



Agency Approvals:

- UL/cUL 5085-3 Class 2 Recognized (File E49606)
- Insulation File No. E95662



* Multi voltage combinations are available - consult factory.

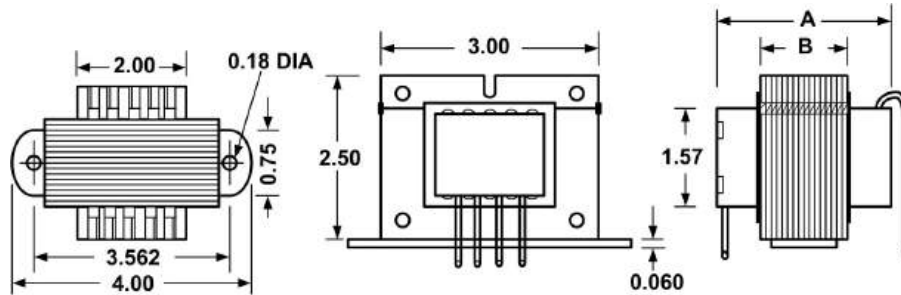
Lead Wires

Type HX Foot Mount - Steel bracket welded to the bottom of the laminations for easy mounting

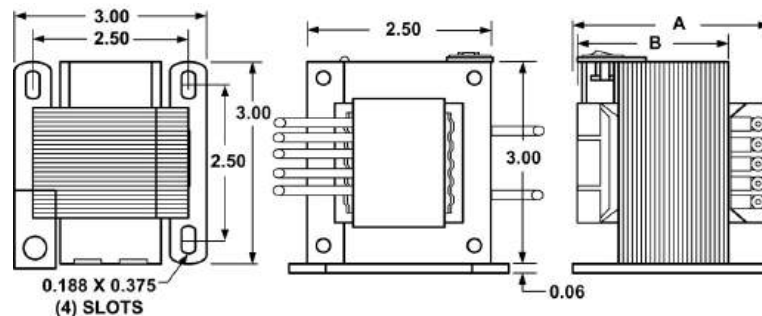
Type VX Foot Mount - Steel bracket welded to the bottom of the laminations for easy mounting

Lead Wires: All leads are 18 AWG stranded 2/64 (0.794 mm) insulation thickness. Standard parts have 12 (305 mm)

Type HX - Foot Mount, Internally Fused



Type VX - Foot Mount, Vertical, Same Side Leads



Dimensions (Inches)	85VA	100VA
A	2.820	2.820
B	1.500	1.500
Weight (Lbs)	2.900	3.300

Any application, Any requirement, Contact us for our Custom Designs

Class 2 UL5085-3 Transformer
80VA - 100VA, Non-Inherently Energy Limited
Series: CL - Lead Wires

Partial Selection Guide

Primary Voltage	Secondary Voltage	85 VA Size - 1.0 X 1-1/2	UL	100 VA Size - 1.0 X 1-1/2	UL
120	24	CL85R01-000*	✓	CL100K01-000*	✓
	24Vct	CL85R01-0CT*	✓	CL100K01-0CT*	✓
277	24	CL85R02-000*	✓	CL100K02-000*	✓
	24Vct	CL85R02-0CT*	✓	CL100K02-0CT*	✓
480	24	CL85R04-000*	✓	CL100K04-000*	✓
	24Vct	CL85R04-0CT*	✓	CL100K04-0CT*	✓
120/208/240/480	24	CL85R05-000*	✓	CL100K05-000*	✓
	24Vct	CL85R05-0CT*	✓	CL100K05-0CT*	✓
208/240	24	CL85R15-000*	✓	CL100K15-000*	✓
	24Vct	CL85R15-0CT*	✓	CL100K15-0CT*	✓

* Refer to page number 37. Must complete part number to specify voltages, termination, mounting & fusing. For custom designs 3 digit customer ID will be added at the end of the part number.

Lead Wire Details:

Primary Voltage	COM	110,115,120	200,208,215	220, 230, 240	265, 277	380	400, 415	460, 480	575	600
Color	Black	White	Red	Orange	Brown	Violet	Red/White	Black/Red	Gray	Black/White
Secondary Voltage	COM	12	24	Standard leads: All leads are 12.0 L.O.C (length out of coil) 1/2 strip						
Color	Yellow	Yellow/White	Blue							

Any application, Any requirement, Contact us for our Custom Designs

POWERVOLT GROUP

Class 2 UL5085-3 Transformer
Printed Circuit Mount
Series: Captain Class (P)

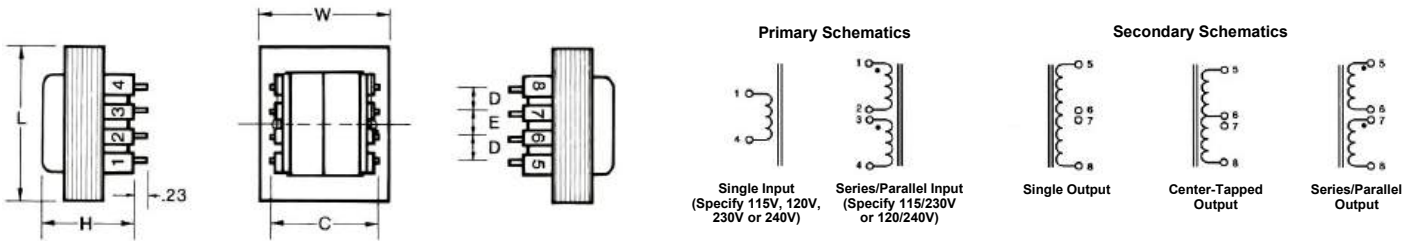
Flame Retardant Materials

- Flame Retardant, UL 94V0 Rating
- High Efficiency
- 1.1 VA or 2.4 VA Power Rating
- Single or Dual Primary, 115V, 115/230V or 230V (Optional 120V, 120/240V or 240V)
- 50/60Hz (Economy 60Hz-only Models Available)
- Single Secondary (Optional Dual or Center-tapped)
- Any Secondary Voltage from 5V to 24V in 1V Increments
- Insulation Material 130°C Standard (Optional 200°C)
- Optional Internal Current or Thermal Protectors
- High Isolation, 2500V, 100% Tested
- Low Capacitive Coupling, no Electrostatic Shield Needed



Agency Approvals:

- UL/cUL 5085-2 Recognized (File E47299)
- UL 1446 Recognized Insulation system (File E95662)
- UL/cUL 5085-3 Class 2 Recognized (File E43609), P001 (up to 20V) & P002 (up to 24V)



VA Rating		Secondary Voltage	Dimensions (Inches)						
			L	W	H	C	D	E	Pins
P001	1.1VA	Up to 20V only	1.38	1.13	0.93	1.22	0.25	0.25	0.041 x 0.020
P002	2.4VA	Up to 24V only	1.38	1.13	1.17	1.22	0.25	0.25	0.041 x 0.020

Partial Selection Guide (Standard Stock)

Part Number		Secondary	
115V Primary	115/230V Primary	230V Primary	Secondary
P001-1-710	P001-2-710	P001-3-710	10V @ 0.11A
P002-1-710	P002-2-710	P002-3-710	10V @ 0.25A
P001-1-712	P001-2-712	P001-3-712	12.6V @ 0.09A
P002-1-712	P002-2-712	P002-3-712	12.6V @ 0.2A
P001-1-716	P001-2-716	P001-3-716	16V @ 0.07A
P002-1-716	P002-2-716	P002-3-716	16V @ 0.15A
P001-1-720	P001-2-720	P001-3-720	20V @ 0.055A
P002-1-720	P002-2-720	P002-3-720	20V @ 0.12A
P002-1-724	P002-2-724	P002-3-724	24V @ 0.1A

Any application, Any requirement, Contact us for our Custom Designs

A wide range of designs to meet your requirements



Wabash Transformer offers a wide range of options in construction, mounting, and termination. We can assist you with our 40 years of experience to design a transformer as per your specific needs. Please refer to our nomenclature page no. 37 for standard voltages and mechanical offerings.

Any application, Any requirement, Contact us for our Custom Designs

POWERVOLT GROUP

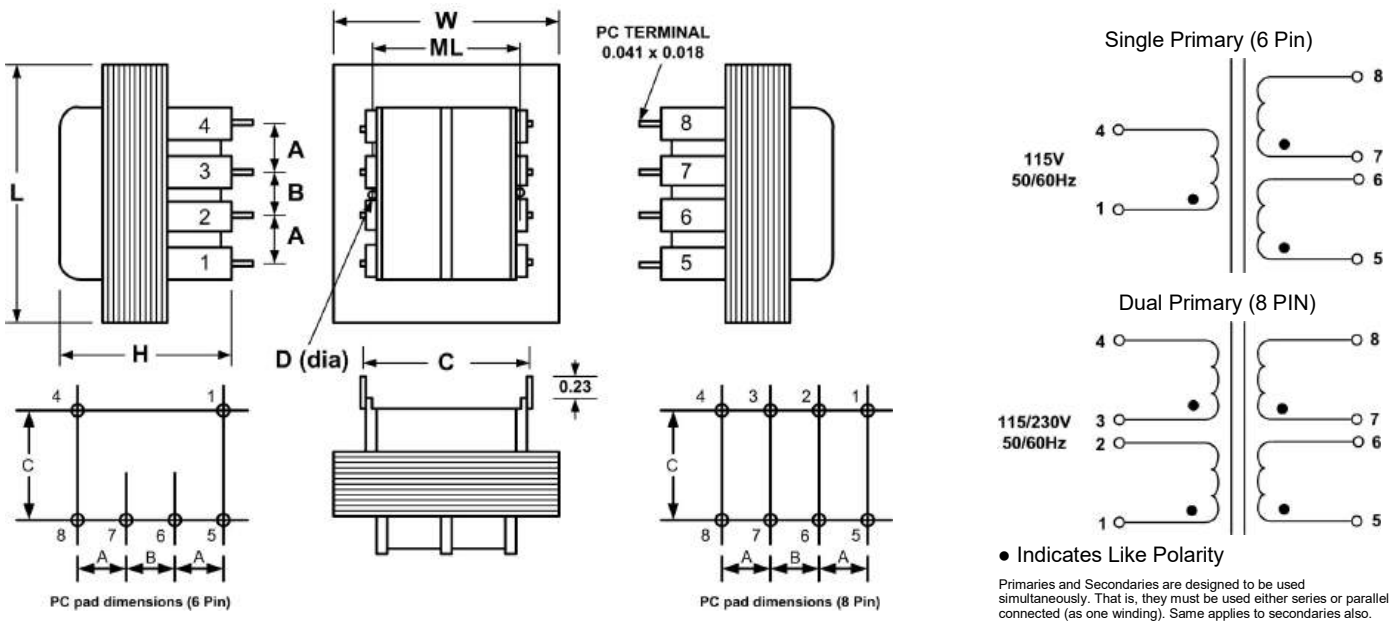
Printed Circuit Mount - Standard Profile Econoline Series: SZ/DSZ

- Power Rating 1.1VA to 36VA
- Single or Dual Primary, 115V or 115/230V
- Frequency 50/60HZ
- Series or Parallel Secondary
- Dielectric Strength – 2500 Vrms
- Insulation Class B (130°C)
- Low Capacitive Coupling, no Electrostatic Shield Needed



Agency Approvals:

- UL/cUL 5085-2 Recognized (File E47299)
- Insulation File No. E95662



Size	VA Rating	Dimensions (Inches)							Weight Lbs
		L	W	H	ML	A	B	C	
2	1.1	1.375	1.125	0.938	-	0.250	0.250	1.200	0.17
3	2.4	1.375	1.125	1.188	-	0.250	0.250	1.200	0.25
4	6.0	1.625	1.313	1.313	1.063	0.250	0.350	1.280	0.44
5	12	1.875	1.563	1.438	1.250	0.300	0.400	1.410	0.70
6	20	2.250	1.875	1.438	1.500	0.300	0.400	1.600	0.80
7	36	2.625	2.188	1.563	*	0.400	0.400	1.850	1.10

* 4 CORNER MOUNTING HOLES —2.187 X 1.750 centers

Any application, Any requirement, Contact us for our Custom Designs

Partial Selection Guide

VA	Part Number		Secondary		VA	Part Number		Secondary	
	Single 115V 6 pin	Dual 115/230V 8 pin	Series	Parallel		Single 115V 6 pin	Dual 115/230V 8 pin	Series	Parallel
1.1	SZ2-10	DSZ2-10	10VCT @ 0.11A	5V @ 0.22A	12	SZ5-10	DSZ5-10	10VCT @ 1.2A	5V @ 2.40A
	SZ2-12	DSZ2-12	12.6VCT @ 0.09A	6.3V @ 0.18A		SZ5-12	DSZ5-12	12.6VCT @ 1.0A	6.3V @ 2.00A
	SZ2-16	DSZ2-16	16VCT @ 0.07A	8V @ 0.14A		SZ5-16	DSZ5-16	16VCT @ 0.80A	8V @ 1.60A
	SZ2-20	DSZ2-20	20VCT @ 0.055A	10V @ 0.11A		SZ5-20	DSZ5-20	20VCT @ 0.60A	10V @ 1.20A
	SZ2-24	DSZ2-24	24VCT @ 0.045A	12V @ 0.09A		SZ5-24	DSZ5-24	24VCT @ 0.50A	12V @ 1.0A
	SZ2-28	DSZ2-28	28VCT @ 0.04A	14V @ 0.08A		SZ5-28	DSZ5-28	28VCT @ 0.42A	14V @ 0.84A
	SZ2-36	DSZ2-36	36VCT @ 0.03A	18V @ 0.06A		SZ5-36	DSZ5-36	36VCT @ 0.35A	18V @ 0.70A
	SZ2-48	DSZ2-48	48VCT @ 0.023A	24V @ 0.046A		SZ5-48	DSZ5-48	48VCT @ 0.25A	24V @ 0.50A
	SZ2-56	DSZ2-56	56VCT @ 0.02A	28V @ 0.04A		SZ5-56	DSZ5-56	56VCT @ 0.22A	28V @ 0.44A
SZ2-120	DSZ2-120	120VCT @ 0.01A	60V @ 0.02A	SZ5-120	DSZ5-120	120VCT @ 0.10A	60V @ 0.20A		
2.4	SZ3-10	DSZ3-10	10VCT @ 0.25A	5V @ 0.50A	20	SZ6-10	DSZ6-10	10VCT @ 2.0A	5V @ 4.00A
	SZ3-12	DSZ3-12	12.6VCT @ 0.2A	6.3V @ 0.40A		SZ6-12	DSZ6-12	12.6VCT @ 1.6A	6.3V @ 3.20A
	SZ3-16	DSZ3-16	16VCT @ 0.15A	8V @ 0.30A		SZ6-16	DSZ6-16	16VCT @ 1.25A	8V @ 2.50A
	SZ3-20	DSZ3-20	20VCT @ 0.12A	10V @ 0.24A		SZ6-20	DSZ6-20	20VCT @ 1.00A	10V @ 2.00A
	SZ3-24	DSZ3-24	24VCT @ 0.10A	12V @ 0.20A		SZ6-24	DSZ6-24	24VCT @ 0.80A	12V @ 1.60A
	SZ3-28	DSZ3-28	28VCT @ 0.085A	14V @ 0.17A		SZ6-28	DSZ6-28	28VCT @ 0.70A	14V @ 1.40A
	SZ3-36	DSZ3-36	36VCT @ 0.065A	18V @ 0.13A		SZ6-36	DSZ6-36	36VCT @ 0.55A	18V @ 1.10A
	SZ3-48	DSZ3-48	48VCT @ 0.05A	24V @ 0.10A		SZ6-48	DSZ6-48	48VCT @ 0.40A	24V @ 0.80A
	SZ3-56	DSZ3-56	56VCT @ 0.45A	28V @ 0.09A		SZ6-56	DSZ6-56	56VCT @ 0.35A	28V @ 0.70A
SZ3-120	DSZ3-120	120VCT @ 0.02A	60V @ 0.04A	SZ6-120	DSZ6-120	120VCT @ 0.16A	60V @ 0.32A		
6.0	SZ4-10	DSZ4-10	10VCT @ 0.6A	5V @ 1.20A	36	SZ7-10	DSZ7-10	10VCT @ 3.6A	5V @ 7.20A
	SZ4-12	DSZ4-12	12.6VCT @ 0.5A	6.3V @ 1.00A		SZ7-12	DSZ7-12	12.6VCT @ 2.85A	6.3V @ 5.70A
	SZ4-16	DSZ4-16	16VCT @ 0.40A	8V @ 0.80A		SZ7-16	DSZ7-16	16VCT @ 2.25A	8V @ 4.50A
	SZ4-20	DSZ4-20	20VCT @ 0.30A	10V @ 0.60A		SZ7-20	DSZ7-20	20VCT @ 1.80A	10V @ 3.60A
	SZ4-24	DSZ4-24	24VCT @ 0.25A	12V @ 0.50A		SZ7-24	DSZ7-24	24VCT @ 1.50A	12V @ 3.0A
	SZ4-28	DSZ4-28	28VCT @ 0.20A	14V @ 0.40A		SZ7-28	DSZ7-28	28VCT @ 1.30A	14V @ 2.60A
	SZ4-36	DSZ4-36	36VCT @ 0.17A	18V @ 0.34A		SZ7-36	DSZ7-36	36VCT @ 1.0A	18V @ 2.00A
	SZ4-48	DSZ4-48	48VCT @ 0.125A	24V @ 0.25A		SZ7-48	DSZ7-48	48VCT @ 0.75A	24V @ 1.50A
	SZ4-56	DSZ4-56	56VCT @ 0.11A	28V @ 0.22A		SZ7-56	DSZ7-56	56VCT @ 0.65A	28V @ 1.30A
SZ4-120	DSZ4-120	120VCT @ 0.05A	60V @ 0.10A	SZ7-120	DSZ7-120	120VCT @ 0.30A	60V @ 0.60A		

Any application, Any requirement, Contact us for our Custom Designs



Efficient

Reliable

Economical

Audio/Video Transformers

- Up to 10 VA
- Frequency 50/60 Hz
- Approved for International Market
- Pre-engineered & Custom Designs

Any application, Any requirement, Contact us for our Custom Designs

POWERVOLT GROUP

Printed Circuit Mount - Standard Profile
High Performance
Series: Captain Class (P)

Examples:

P006-2-724 = 6VA, Dual (series/parallel) Primary, 50/60Hz, no internal protector, Single 24V Secondary
 P006-1A024 60HZ = 6VA, Single 115-120V Primary, 60Hz only, 130°C thermal cutoff, Dual 12/24V (series/parallel) Secondary



Printed Circuit Mount	PXXX	-X	X	XXX	XXXX
<p>Rating:</p> <p>P001 = 1.1VA, models up to 20V are also Class 2 (see Page 9)</p> <p>P002 = 2.4VA, models up to 24V are also Class 2 (see Page 9)</p> <p>P006 = 6VA</p> <p>P012 = 12VA</p> <p>P020 = 20VA</p> <p>P036 = 36VA</p>					
<p>Primary Voltage:</p> <p>-1 = 115-120V</p> <p>-2 = 115-120V / 230-240V Dual (series / parallel)</p> <p>-3 = 230-240V</p>					
<p>Optional Internal Protector:</p> <p>- (dash) = No internal protector</p> <p>A through Z = Over-current and/or over-temperature protection (Contact for list of available protectors)</p>					
<p>Secondary Voltage (10V through 120V, in 1V Increments):</p> <p>010 through 120 = Dual Secondary (series / parallel) Number represents the voltage of the series connection. <i>Example: "024" = 12V (parallel) / 24V (series)</i></p> <p>510 through 620 = Center-tapped Secondary Number represents the total voltage plus 500. <i>Example: "524" = 24V with center-tap (12V on each side)</i></p> <p>710 through 820 = Single Secondary Number represents the voltage plus 700. <i>Example: "724" = 24V</i></p>					
<p>Frequency:</p> <p>Blank = 50/60Hz</p> <p>-60HZ = Economy 60Hz-only</p>					

Any application, Any requirement, Contact us for our Custom Designs

Printed Circuit Mount - Standard Profile
High Performance
Series: Captain Class (P)

Flame Retardant Materials

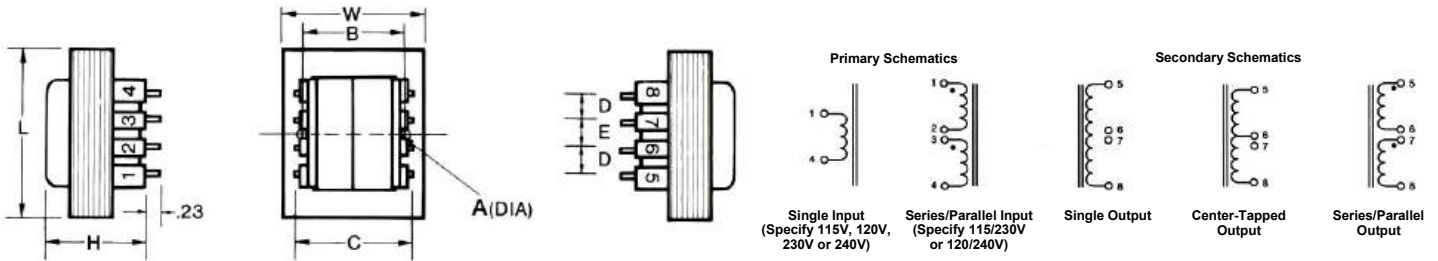
- Flame Retardant, UL 94V0 Rating
- High Efficiency
- 1.1 VA or 36 VA Power Rating
- Single or Dual Primary, 115V, 115/230V or 230V (Optional 120V, 120/240V or 240V)
- 50/60Hz (Economy 60Hz-only Models Available)
- Dual Secondary (Optional Single or Center-tapped)
- Any Secondary Voltage from 5V to 120V in 1V Increments
- Insulation Material 130°C Standard (Optional 200°C)
- Optional Internal Current or Thermal Protectors
- High Isolation, 2500V, 100% Tested
- Low Capacitive Coupling, no Electrostatic Shield Needed



Agency Approvals:



- UL/cUL 5085-2 Recognized (File E47299)
- UL 1446 Recognized Insulation System (File E95662)
- UL/cUL 5085-3 Class 2 Recognized (File E43609), P001 (up to 20V) & P002 (up to 24V)



VA Rating	Secondary Voltage	Dimensions (Inches)									
		L	W	H	A	B	C	D	E	Pins	
P001	1.1VA	Parallel from 5V to 60V Series, single, or center-tapped from 10V to 120V	1.38	1.13	0.93	-	-	1.22	0.25	0.25	0.041 x 0.020
P002	2.4VA		1.38	1.13	1.17	-	-	1.22	0.25	0.25	0.041 x 0.020
P006	6VA		1.63	1.31	1.29	0.125	1.06	1.28	0.25	0.35	0.041 x 0.020
P012	12VA		1.88	1.56	1.41	0.150	1.25	1.40	0.30	0.40	0.041 x 0.020
P020	20VA		2.25	1.88	1.41	0.218*	1.66	1.59	0.30	0.40	0.041 x 0.020
P036	36VA		2.63	2.19	1.56	0.218*	1.94	1.84	0.40	0.40	0.041 x 0.020

* = Slots

Any application, Any requirement, Contact us for our Custom Designs

Printed Circuit Mount - Standard Profile
High Performance
Series: Captain Class (P)

Partial Selection Guide (Standard Stock)



Part Number					Part Number				
115V Primary	115/230V Primary	230V Primary	Series Secondary	Parallel Secondary	115V Primary	115/230V Primary	230V Primary	Series Secondary	Parallel Secondary
P001-1-010*	P001-2-010*	P001-3-010*	10VCT @ 0.11A	5V @ 0.22A	P001-1-028	P001-2-028	P001-3-028	28VCT @ 0.04A	14V @ 0.08A
P002-1-010*	P002-2-010*	P002-3-010*	10VCT @ 0.25A	5V @ 0.5A	P002-1-028	P002-2-028	P002-3-028	28VCT @ 0.085A	14V @ 0.17A
P006-1-010	P006-2-010	P006-3-010	10VCT @ 0.6A	5V @ 1.2A	P006-1-028	P006-2-028	P006-3-028	28VCT @ 0.2A	14V @ 0.4A
P012-1-010	P012-2-010	P012-3-010	10VCT @ 1.2A	5V @ 2.4A	P012-1-028	P012-2-028	P012-3-028	28VCT @ 0.42A	14V @ 0.84A
P020-1-010	P020-2-010	P020-3-010	10VCT @ 2.0A	5V @ 4.0A	P020-1-028	P020-2-028	P020-3-028	28VCT @ 0.7A	14V @ 1.4A
P036-1-010	P036-2-010	P036-3-010	10VCT @ 3.6A	5V @ 7.2A	P036-1-028	P036-2-028	P036-3-028	28VCT @ 1.3A	14V @ 2.6A
P001-1-012*	P001-2-012*	P001-3-012*	12.6VCT @ 0.09A	6.3V @ 0.18A	P001-1-036	P001-2-036	P001-3-036	36VCT @ 0.03A	18V @ 0.06A
P002-1-012*	P002-2-012*	P002-3-012*	12.6VCT @ 0.2A	6.3V @ 0.4A	P002-1-036	P002-2-036	P002-3-036	36VCT @ 0.065A	18V @ 0.13A
P006-1-012	P006-2-012	P006-3-012	12.6VCT @ 0.5A	6.3V @ 1.0A	P006-1-036	P006-2-036	P006-3-036	36VCT @ 0.17A	18V @ 0.34A
P012-1-012	P012-2-012	P012-3-012	12.6VCT @ 1.0A	6.3V @ 2.0A	P012-1-036	P012-2-036	P012-3-036	36VCT @ 0.35A	18V @ 0.7A
P020-1-012	P020-2-012	P020-3-012	12.6VCT @ 1.6A	6.3V @ 3.2A	P020-1-036	P020-2-036	P020-3-036	36VCT @ 0.55A	18V @ 1.1A
P036-1-012	P036-2-012	P036-3-012	12.6VCT @ 2.85A	6.3V @ 5.7A	P036-1-036	P036-2-036	P036-3-036	36VCT @ 1.0A	18V @ 2.0A
P001-1-016*	P001-2-016*	P001-3-016*	16VCT @ 0.07A	8V @ 0.14A	P001-1-048	P001-2-048	P001-3-048	48VCT @ 0.023A	24V @ 0.046A
P002-1-016*	P002-2-016*	P002-3-016*	16VCT @ 0.15A	8V @ 0.3A	P002-1-048	P002-2-048	P002-3-048	48VCT @ 0.05A	24V @ 0.1A
P006-1-016	P006-2-016	P006-3-016	16VCT @ 0.4A	8V @ 0.8A	P006-1-048	P006-2-048	P006-3-048	48VCT @ 0.125A	24V @ 0.25A
P012-1-016	P012-2-016	P012-3-016	16VCT @ 0.8A	8V @ 1.6A	P012-1-048	P012-2-048	P012-3-048	48VCT @ 0.25A	24V @ 0.5A
P020-1-016	P020-2-016	P020-3-016	16VCT @ 1.25A	8V @ 2.5A	P020-1-048	P020-2-048	P020-3-048	48CT @ 0.4A	24V @ 0.8A
P036-1-016	P036-2-016	P036-3-016	16VCT @ 2.25A	8V @ 4.5A	P036-1-048	P036-2-048	P036-3-048	48VCT @ 0.75A	24V @ 1.5A
P001-1-020*	P001-2-020*	P001-3-020*	20VCT @ 0.055A	10V @ 0.11A	P001-1-056	P001-2-056	P001-3-056	56VCT @ 0.02A	28V @ 0.04A
P002-1-020*	P002-2-020*	P002-3-020*	20VCT @ 0.12A	10V @ 0.24A	P002-1-056	P002-2-056	P002-3-056	56VCT @ 0.045A	28V @ 0.09A
P006-1-020	P006-2-020	P006-3-020	20VCT @ 0.3A	10V @ 0.6A	P006-1-056	P006-2-056	P006-3-056	56VCT @ 0.11A	28V @ 0.22A
P012-1-020	P012-2-020	P012-3-020	20VCT @ 0.6A	10V @ 1.2A	P012-1-056	P012-2-056	P012-3-056	56VCT @ 0.22A	28V @ 0.44A
P020-1-020	P020-2-020	P020-3-020	20VCT @ 1.0A	10V @ 2.0A	P020-1-056	P020-2-056	P020-3-056	56VCT @ 0.35A	28V @ 0.7A
P036-1-020	P036-2-020	P036-3-020	20VCT @ 1.8A	10V @ 3.6A	P036-1-056	P036-2-056	P036-3-056	56VCT @ 0.65A	28V @ 1.3A
P001-1-024	P001-2-024	P001-3-024	24VCT @ 0.045A	12V @ 0.09A	P001-1-120	P001-2-120	P001-3-120	120VCT @ 0.01A	60V @ 0.02A
P002-1-024*	P002-2-024*	P002-3-024*	24VCT @ 0.1A	12V @ 0.2A	P002-1-120	P002-2-120	P002-3-120	120VCT @ 0.02A	60V @ 0.04A
P006-1-024	P006-2-024	P006-3-024	24VCT @ 0.25A	12V @ 0.5A	P006-1-120	P006-2-120	P006-3-120	120VCT @ 0.05A	60V @ 0.1A
P012-1-024	P012-2-024	P012-3-024	24VCT @ 0.5A	12V @ 1.0A	P012-1-120	P012-2-120	P012-3-120	120VCT @ 0.1A	60V @ 0.2A
P020-1-024	P020-2-024	P020-3-024	24VCT @ 0.8A	12V @ 1.6A	P020-1-120	P020-2-120	P020-3-120	120VCT @ 0.16A	60V @ 0.32A
P036-1-024	P036-2-024	P036-3-024	24VCT @ 1.5A	12V @ 3.0A	P036-1-120	P036-2-120	P036-3-120	120VCT @ 0.3A	60V @ 0.6A

Over 95,000 additional Captain Class model configurations available!

Refer to the Part Numbering Scheme on the next page to **configure your own part** with following options:

- Primary: 120V, 120/240V, or 240V
- Secondary: 5V to 120V, in 1V increments
- Frequency: 50/60Hz, or economy 60Hz-only
- With or without current or thermal protector(s)
- Temperature Class: 130°C, or 200°C

Models marked with * are also UL 5085-3 Class 2 recognized (see Page 9)

Any application, Any requirement, Contact us for our Custom Designs

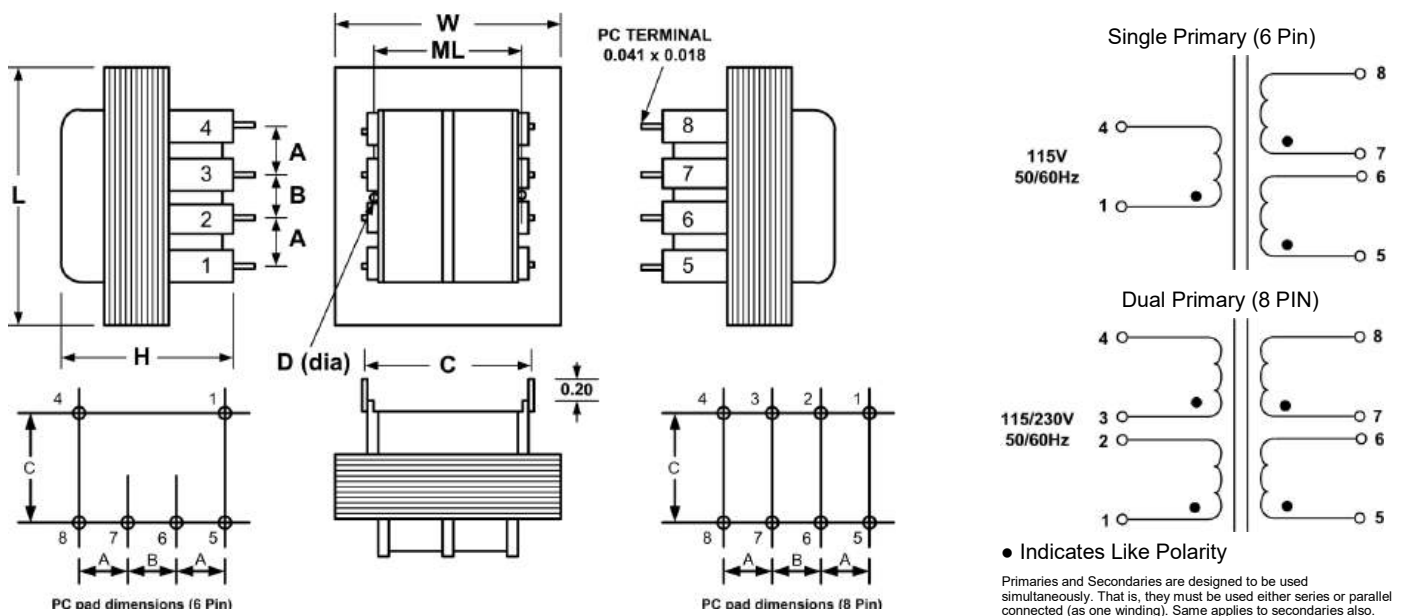
Printed Circuit Mount - Standard Profile
Series: SPW-S/SPW-D

- Power Rating 1.1VA to 36VA
- Single or Dual Primary, 115V or 115/230V
- Frequency 50/60HZ
- Series or Parallel Secondary
- High Isolation – 2500 Vrms
- Insulation Material (130°C) Standard (Optional 200°C)
- No Electrostatic Shield Needed



Agency Approvals:

- UL/cUL 5085-2 Recognized (File E47299)
- CSA C22.2 #66 certified (063944)
- UL 1446 Recognized Class B (130°C) OBJY2, Insulation File No. E95662



VA Rating	Dimensions (Inches)								Wt. lbs
	L	W	H	ML	A	B	C	D (dia.)	
1.1	1.38	1.13	0.93	-	0.250	0.250	1.20	-	0.17
2.4	1.38	1.13	1.17	-	0.250	0.250	1.20	-	0.25
6.0	1.63	1.31	1.29	1.06	0.250	0.350	1.28	0.125	0.44
12.0	1.88	1.56	1.43	1.25	0.300	0.400	1.40	0.150	0.70
20.0	2.25	1.88	1.41	1.50	0.300	0.400	1.59	0.218*	0.80
36.0	2.63	2.19	1.56	1.75	0.400	0.400	1.84	0.218*	1.10

Any application, Any requirement, Contact us for our Custom Designs

Partial Selection Guide

VA	Part Number		Secondary		VA	Part Number		Secondary	
	Single 115V 6 pin	Dual 115/230V 8 pin	Series	Parallel		Single 115V 6 pin	Dual 115/230V 8 pin	Series	Parallel
1.1	SPW-350-S	SPW-350-D	10VCT @ 110mA	5V @ 220mA	12	SPW-600-S	SPW-600-D	10VCT @ 1.2A	5V @ 2.4A
	SPW-351-S	SPW-351-D	12.6VCT @ 90mA	6.3V @ 180mA		SPW-601-S	SPW-601-D	12.6VCT @ 1.0A	6.3V @ 2.0A
	SPW-352-S	SPW-352-D	16VCT @ 70mA	8V @ 140mA		SPW-602-S	SPW-602-D	16VCT @ 800mA	8V @ 1.6A
	SPW-353-S	SPW-353-D	20VCT @ 55mA	10V @ 110mA		SPW-603-S	SPW-603-D	20VCT @ 600mA	10V @ 1.2A
	SPW-354-S	SPW-354-D	24VCT @ 45mA	12V @ 90mA		SPW-604-S	SPW-604-D	24VCT @ 500mA	12V @ 1.0A
	SPW-355-S	SPW-355-D	28VCT @ 40mA	14V @ 80mA		SPW-605-S	SPW-605-D	28VCT @ 420mA	14V @ 840mA
	SPW-356-S	SPW-356-D	36VCT @ 30mA	18V @ 60mA		SPW-606-S	SPW-606-D	36VCT @ 350mA	18V @ 700mA
	SPW-357-S	SPW-357-D	48VCT @ 23mA	24V @ 46mA		SPW-607-S	SPW-607-D	48VCT @ 250mA	24V @ 500mA
	SPW-358-S	SPW-358-D	56VCT @ 20mA	28V @ 40mA		SPW-608-S	SPW-608-D	56VCT @ 220mA	28V @ 440mA
	SPW-359-S	SPW-359-D	120VCT @ 10mA	60V @ 20mA		SPW-609-S	SPW-609-D	120VCT @ 100mA	60V @ 200mA
2.4	SPW-400-S	SPW-400-D	10VCT @ 250mA	5V @ 500mA	20	SPW-610-S	SPW-610-D	10VCT @ 2.0A	5V @ 4.0A
	SPW-401-S	SPW-401-D	12.6VCT @ 200mA	6.3V @ 400mA		SPW-611-S	SPW-611-D	12.6VCT @ 1.6A	6.3V @ 3.2A
	SPW-402-S	SPW-402-D	16VCT @ 150mA	8V @ 300mA		SPW-612-S	SPW-612-D	16VCT @ 1.25A	8V @ 2.5A
	SPW-403-S	SPW-403-D	20VCT @ 120mA	10V @ 240mA		SPW-613-S	SPW-613-D	20VCT @ 1.0A	10V @ 2.0A
	SPW-404-S	SPW-404-D	24VCT @ 100mA	12V @ 200mA		SPW-614-S	SPW-614-D	24VCT @ 800mA	12V @ 1.6A
	SPW-405-S	SPW-405-D	28VCT @ 85mA	14V @ 170mA		SPW-615-S	SPW-615-D	28VCT @ 700mA	14V @ 1.4A
	SPW-406-S	SPW-406-D	36VCT @ 65mA	18V @ 130mA		SPW-616-S	SPW-616-D	36VCT @ 550mA	18V @ 1.1A
	SPW-407-S	SPW-407-D	48VCT @ 50mA	24V @ 100mA		SPW-617-S	SPW-617-D	48VCT @ 400mA	24V @ 800mA
	SPW-408-S	SPW-408-D	56VCT @ 45mA	28V @ 90mA		SPW-618-S	SPW-618-D	56VCT @ 350mA	28V @ 700mA
	SPW-409-S	SPW-409-D	120VCT @ 20mA	60V @ 40mA		SPW-619-S	SPW-619-D	120VCT @ 160mA	60V @ 320mA
6.0	SPW-500-S	SPW-500-D	10VCT @ 600mA	5V @ 1.2A	36	SPW-620-S	SPW-620-D	10VCT @ 3.6A	5V @ 7.2A
	SPW-501-S	SPW-501-D	12.6VCT @ 500mA	6.3V @ 1.0A		SPW-621-S	SPW-621-D	12.6VCT @ 2.85A	6.3V @ 5.7A
	SPW-502-S	SPW-502-D	16VCT @ 400mA	8V @ 800mA		SPW-622-S	SPW-622-D	16VCT @ 2.25A	8V @ 4.5A
	SPW-503-S	SPW-503-D	20VCT @ 300mA	10V @ 600mA		SPW-623-S	SPW-623-D	20VCT @ 1.8A	10V @ 3.6A
	SPW-504-S	SPW-504-D	24VCT @ 250mA	12V @ 500mA		SPW-624-S	SPW-624-D	24VCT @ 1.5A	12V @ 3.0A
	SPW-505-S	SPW-505-D	28VCT @ 200mA	14V @ 400mA		SPW-625-S	SPW-625-D	28VCT @ 1.3A	14V @ 2.6A
	SPW-506-S	SPW-506-D	36VCT @ 170mA	18V @ 340mA		SPW-626-S	SPW-626-D	36VCT @ 1.0A	18V @ 2.0A
	SPW-507-S	SPW-507-D	48VCT @ 125mA	24V @ 250mA		SPW-627-S	SPW-627-D	48VCT @ 750mA	24V @ 1.5A
	SPW-508-S	SPW-508-D	56VCT @ 110mA	28V @ 220mA		SPW-628-S	SPW-628-D	56VCT @ 650mA	28V @ 1.3A
	SPW-509-S	SPW-509-D	120VCT @ 50mA	60V @ 100mA		SPW-629-S	SPW-629-D	120VCT @ 300mA	60V @ 600mA

Any application, Any requirement, Contact us for our Custom Designs

Printed Circuit Mount - Standard Profile

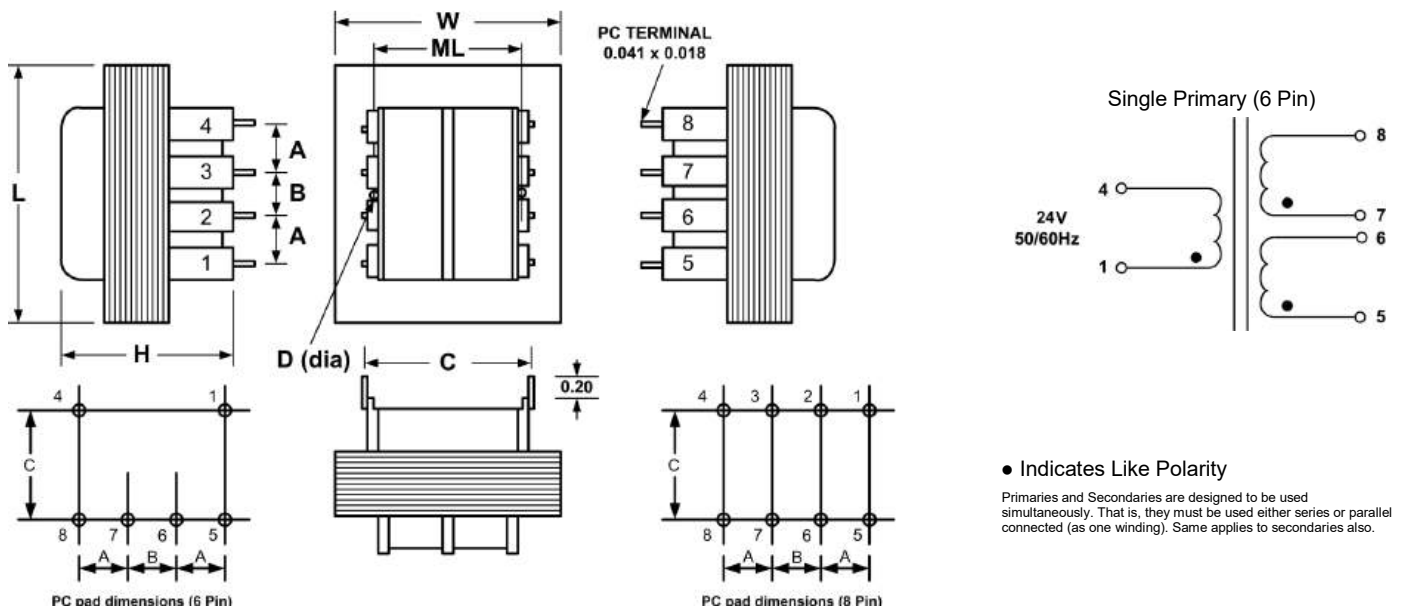
**24V Input
Series: SLP**

- Power Rating 1.1VA to 12VA
- Primary, 24V
- Frequency 50/60HZ
- Series or Parallel Secondary
- High Isolation – 2500 Vrms
- Insulation Material (130°C) Standard (Optional 200°C)
- No Electrostatic Shield Needed



Agency Approvals:

- UL/cUL 5085-2 Recognized (File E47299)
- UL 1446 Recognized Class B (130°C) OBJY2, Insulation File No. E95662



VA Rating	Dimensions (Inches)								Wt. lbs
	L	W	H	ML	A	B	C	D (dia.)	
1.1	1.38	1.13	0.93	-	0.250	0.250	1.20	-	0.17
2.4	1.38	1.13	1.17	-	0.250	0.250	1.20	-	0.25
6.0	1.63	1.31	1.29	1.06	0.250	0.350	1.28	0.125	0.44
12.0	1.88	1.56	1.43	1.25	0.300	0.400	1.40	0.150	0.70

Any application, Any requirement, Contact us for our Custom Designs

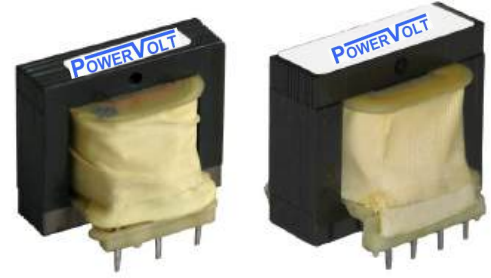
VA	Part Number	Secondary	
	24V Primary	Series	Parallel
1.1	SLP-24-350	10VCT @ 110 mA	5V @ 220 mA
	SLP-24-351	12.6VCT @ 90 mA	6.3V @ 180 mA
	SLP-24-352	16VCT @ 70 mA	8V @ 140 mA
	SLP-24-353	20VCT @ 55 mA	10V @ 110 mA
	SLP-24-354	24VCT @ 45 mA	12V @ 90 mA
	SLP-24-355	28VCT @ 40 mA	14V @ 80 mA
2.4	SLP-24-400	10VCT @ 250 mA	5V @ 500 mA
	SLP-24-401	12.6VCT @ 200 mA	6.3V @ 400 mA
	SLP-24-402	16VCT @ 150 mA	8V @ 300 mA
	SLP-24-403	20VCT @ 120 mA	10V @ 240 mA
	SLP-24-404	24VCT @ 100 mA	12V @ 200 mA
	SLP-24-405	28VCT @ 85 mA	14V @ 170 mA
6.0	SLP-24-500	10VCT @ 600 mA	5V @ 1.2A
	SLP-24-501	12.6VCT @ 500 mA	6.3V @ 1.0A
	SLP-24-502	16VCT @ 400 mA	8V @ 800 mA
	SLP-24-503	20VCT @ 300 mA	10V @ 600 mA
	SLP-24-504	24VCT @ 250 mA	12V @ 500 mA
	SLP-24-505	28VCT @ 200 mA	14V @ 400 mA
12.0	SLP-24-600	10VCT @ 1.2A	5V @ 2.4A
	SLP-24-601	12.6VCT @ 1.0A	6.3V @ 2.0A
	SLP-24-602	16VCT @ 800 mA	8V @ 1.6A
	SLP-24-603	20VCT @ 600 mA	10V @ 1.2A
	SLP-24-604	24VCT @ 500 mA	12V @ 1.0A
	SLP-24-605	28VCT @ 420 mA	14V @ 840 mA

Any application, Any requirement, Contact us for our Custom Designs

Printed Circuit Mount - Standard Profile Small Size Series: MT/DMT

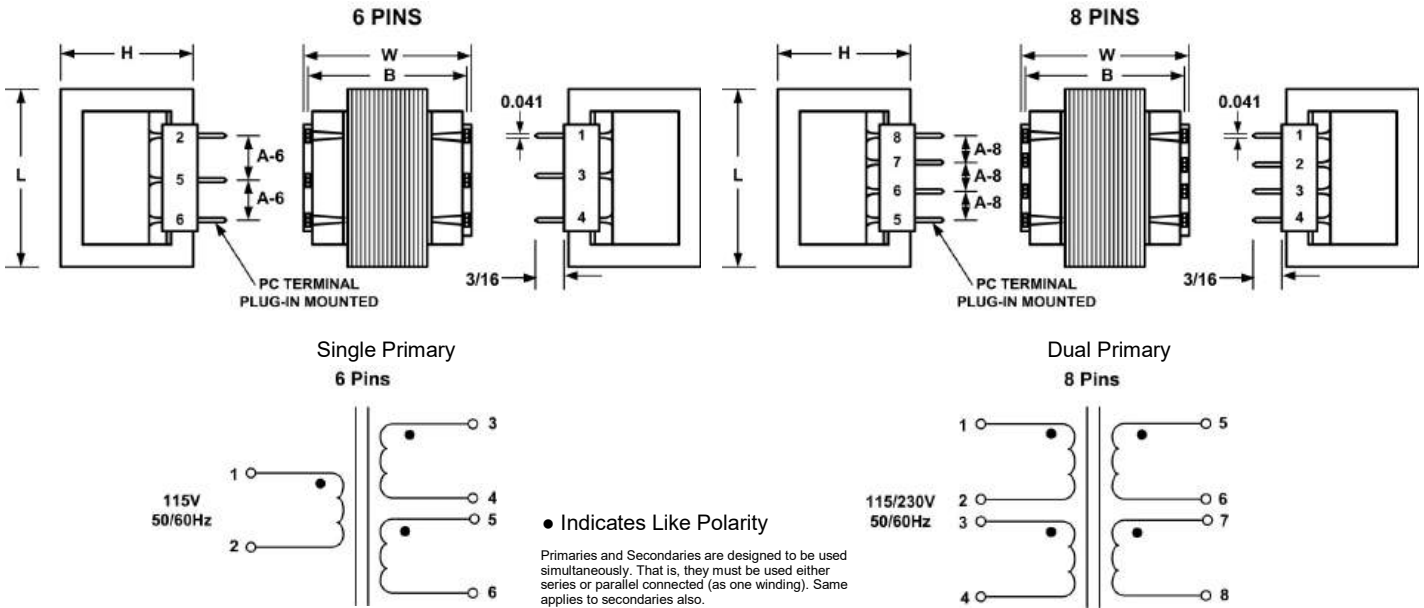
MiniZtran™

- Power Rating 1.0VA to 24VA
- Single or Dual Primary, 115V or 115/230V
- Frequency 50/60HZ
- Series or Parallel Secondary
- Dielectric Strength – 1500 Vrms
- Insulation Class B (130°C)
- Small size printed circuit plug-in power transformer
- Optional Mounting Brackets (See Dim. Table)



Agency Approvals:

- UL/cUL 5085-2 Recognized (File E47299)
- Insulation File No. E95662



VA Rating	Dimensions (Inches)						Optional Bracket			Weight Oz.
	L	W	H	A-6 6 Pin	A-8 8 Pin	B	No.	MW	MD	
1.0	1.000	1.375	0.830	0.250	0.200	1.200	-	-	-	2.50
1.2	1.375	1.125	1.188	0.312	0.200	1.000	-	-	-	3
4.4	1.625	1.25	1.375	0.400	0.250	1.100	-	-	-	5
10	1.875	1.438	1.625	0.400	0.250	1.300	10-BKT	1.641	1.125	9
24	1.625	2.250	1.375	0.400	0.250	2.100	24-BKT	1.375	2.000	12

Any application, Any requirement, Contact us for our Custom Designs

Partial Selection Guide

VA	Part Number		Secondary RMS Rating		VA	Part Number		Secondary	
	115V 6 Pin	115/230V 8 pin	Series	Parallel		115V 6 Pin	115/230V 8 pin	Series	Parallel
1.0	MT10-90	DMT10-90	10VCT @ 90mA	5V @ 180mA	10	MT10-1000	DMT10-1000	10VCT @ 1.0A	5V @ 2.0A
	MT12-70	DMT12-70	12.6VCT @ 70mA	6.3V @ 140mA		MT12-800	DMT12-800	12.6VCT @ 800mA	6.3V @ 1.6A
	MT16-55	DMT16-55	16VCT @ 55mA	8V @ 110mA		MT16-640	DMT16-640	16VCT @ 640mA	8V @ 1.28A
	MT20-45	DMT20-45	20VCT @ 45mA	10V @ 90mA		MT20-500	DMT20-500	20VCT @ 500mA	10V @ 1.0A
	MT24-35	DMT24-35	24VCT @ 35mA	12V @ 70mA		MT24-450	DMT24-450	24VCT @ 450mA	12V @ 900mA
	MT28-30	DMT28-30	28VCT @ 30mA	14V @ 60mA		MT28-360	DMT28-360	28VCT @ 360mA	14V @ 720mA
	MT34-25	DMT34-25	34VCT @ 25mA	17V @ 50mA		MT34-300	DMT34-300	34VCT @ 300mA	17V @ 600mA
	MT40-20	DMT40-20	40VCT @ 20mA	20V @ 40mA		MT40-250	DMT40-250	40VCT @ 250mA	20V @ 500mA
	MT56-15	DMT56-15	56VCT @ 15mA	28V @ 30mA		MT56-180	DMT56-180	56VCT @ 180mA	28V @ 360mA
	MT120-8	DMT120-8	120VCT @ 8mA	60V @ 16mA		MT120-85	DMT120-85	120VCT @ 85mA	60V @ 170mA
1.2	MT10-120	DMT10-120	10VCT @ 120mA	5V @ 240mA	24	MT10-2400	DMT10-2400	10VCT @ 2.4A	5V @ 4.8A
	MT12-100	DMT12-100	12.6VCT @ 100mA	6.3V @ 200mA		MT12-2000	DMT12-2000	12.6VCT @ 2.0A	6.3V @ 4.0A
	MT16-75	DMT16-75	16VCT @ 75mA	8V @ 150mA		MT16-1500	DMT16-1500	16VCT @ 1.50A	8V @ 3.0A
	MT20-60	DMT20-60	20VCT @ 60mA	10V @ 120mA		MT20-1200	DMT20-1200	20VCT @ 1.20A	10V @ 2.4A
	MT24-50	DMT24-50	24VCT @ 50mA	12V @ 100mA		MT24-1000	DMT24-1000	24VCT @ 1.0A	12V @ 2.0A
	MT28-40	DMT28-40	28VCT @ 40mA	14V @ 80mA		MT28-800	DMT28-800	28VCT @ 800mA	14V @ 1.6A
	MT34-35	DMT34-35	34VCT @ 35mA	17V @ 70mA		MT34-700	DMT34-700	34VCT @ 700mA	17V @ 1.4A
	MT40-30	DMT40-30	40VCT @ 30mA	20V @ 60mA		MT40-600	DMT40-600	40VCT @ 600mA	20V @ 1.2A
4.4	MT56-20	DMT56-20	56VCT @ 20mA	28V @ 40mA	MT56-420	DMT56-420	56VCT @ 420mA	28V @ 840mA	
	MT120-10	DMT120-10	120VCT @ 10mA	60V @ 20mA	MT120-200	DMT120-200	120VCT @ 200mA	60V @ 400mA	
	MT10-440	DMT10-440	10VCT @ 440mA	5V @ 880mA					
	MT12-350	DMT12-350	12.6VCT @ 350mA	6.3V @ 700mA					
	MT16-260	DMT16-260	16VCT @ 260mA	8V @ 520mA					
	MT20-220	DMT20-220	20VCT @ 220mA	10V @ 440mA					
	MT24-180	DMT24-180	24VCT @ 180mA	12V @ 360mA					
	MT28-160	DMT28-160	28VCT @ 160mA	14V @ 320mA					
MT34-125	DMT34-125	34VCT @ 125mA	17V @ 250mA						
MT40-110	DMT40-110	40VCT @ 110mA	20V @ 220mA						
MT56-80	DMT56-80	56VCT @ 80mA	28V @ 160mA						
MT120-35	DMT120-35	120VCT @ 35mA	60V @ 70mA						

Any application, Any requirement, Contact us for our Custom Designs

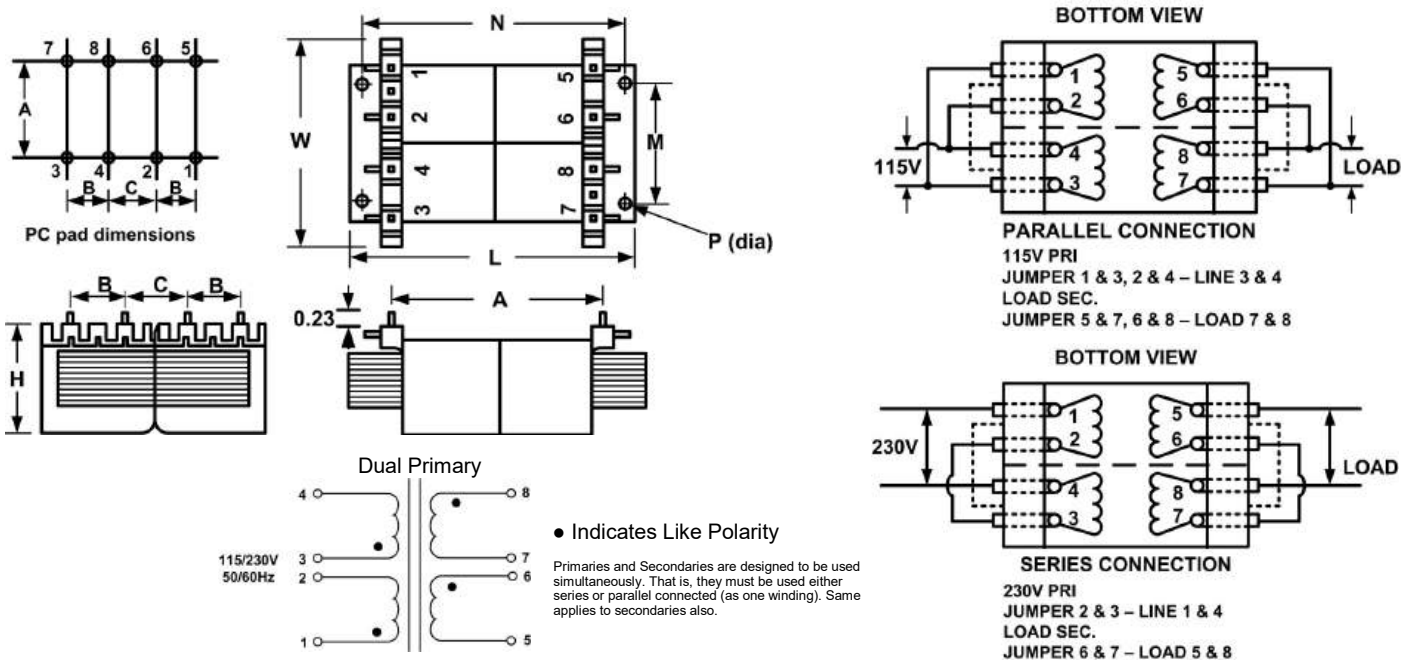
Printed Circuit Mount - Low Profile Econoline Series: FZ

- Power Rating 2.5VA to 48VA
- Dual Primary, 115/230V
- Frequency 50/60HZ
- Low profile design
- Dielectric Strength – 1500 Vrms
- Insulation Class B (130°C)
- Low Capacitive Coupling, no Electrostatic Shield Needed



Agency Approvals:

- UL/cUL 5085-2 Recognized (File E47299)
 - Insulation File No. E95662
- (Note: Sizes 24 & 48 are pending agency approvals)



VA Rating	Dimensions (Inches)							Weight Oz.
	L	W	H	A	B	C	D	
2.5	1.870	1.560	0.650	1.600	0.375	0.375	0.041 X .020	5
6	1.870	1.560	0.850	1.600	0.375	0.375	0.041 X .020	7
12	2.500	2.000	1.065	2.000	0.500	0.500	0.041 X .020	11
24	2.870	2.230	1.250	1.900	0.600	0.530	.041 (sq. pin)	15
48	3.120	2.500	1.375	2.180	0.600	0.660	.041 (sq. pin)	21

Any application, Any requirement, Contact us for our Custom Designs

Partial Selection Guide

VA	Part Number		Secondary RMS Rating		VA	Part Number		Secondary	
	115/230V Primary	Series	Series	Parallel		115/230V Primary	Series	Series	Parallel
2.5	FZ-10-250	10VCT @ 250mA	5V @ 500mA		24.0	FZ-10-2400	10VCT @ 2.40A	5V @ 4.80A	
	FZ-12-200	12.6VCT @ 200mA	6.3V @ 400mA			FZ-12-1900	12.6VCT @ 900mA	6.3V @ 1.80A	
	FZ-16-150	16VCT @ 150mA	8V @ 300mA			FZ-16-1500	16VCT @ 1.50A	8V @ 3.0A	
	FZ-20-125	20VCT @ 125mA	10V @ 250mA			FZ-20-1200	20VCT @ 1.20A	10V @ 2.40A	
	FZ-24-100	24VCT @ 100mA	12V @ 200mA			FZ-24-1000	24VCT @ 1.00A	12V @ 2.00A	
	FZ-30-85	30VCT @ 85mA	15V @ 170mA			FZ-30-800	30VCT @ 800mA	15V @ 1.60A	
	FZ-34-75	34VCT @ 75mA	17V @ 150mA			FZ-34-700	34VCT @ 700mA	17V @ 1.40A	
	FZ-40-60	40VCT @ 60mA	20V @ 120mA			FZ-40-600	40VCT @ 600mA	20V @ 1.20A	
	FZ-56-45	56VCT @ 45mA	28V @ 90mA			FZ-56-425	56VCT @ 425mA	28V @ 850mA	
	FZ-88-28	88VCT @ 28mA	44V @ 56mA			FZ-10-4800	10VCT @ 4.80A	5V @ 9.60A	
6.0	FZ-120-20	120VCT @ 20mA	60V @ 40mA		FZ-12-3800	12.6VCT @ 3.8A	6.3V @ 7.60A		
	FZ-230-10	230VCT @ 10mA	115V @ 20mA		FZ-16-3000	16VCT @ 3.0A	8V @ 6.0A		
	FZ-10-600	10VCT @ 600mA	5V @ 1.20A		FZ-20-2400	20VCT @ 2.40A	10V @ 4.80A		
	FZ-12-450	12.6VCT @ 450mA	6.3V @ 900mA		FZ-24-2000	24VCT @ 2.00A	12V @ 4.00A		
	FZ-16-350	16VCT @ 350mA	8V @ 700mA		FZ-30-1600	30VCT @ 1.60A	15V @ 3.20A		
	FZ-20-300	20VCT @ 300mA	10V @ 600mA		FZ-34-1400	34VCT @ 1.40A	17V @ 2.80A		
	FZ-24-250	24VCT @ 250mA	12V @ 500mA		FZ-40-1200	40VCT @ 1.20A	20V @ 2.40A		
	FZ-30-200	30VCT @ 200mA	15V @ 400mA		FZ-56-850	56VCT @ 850mA	28V @ 1.70A		
	FZ-34-170	34VCT @ 170mA	17V @ 340mA						
	FZ-40-150	40VCT @ 150mA	20V @ 300mA						
12.0	FZ-56-100	56VCT @ 100mA	28V @ 200mA						
	FZ-88-65	88VCT @ 65mA	44V @ 130mA						
	FZ-120-50	120VCT @ 50mA	60V @ 100mA						
	FZ-230-25	230VCT @ 25mA	115V @ 50mA						
	FZ-10-1200	10VCT @ 1200mA	5V @ 2.40A						
	FZ-12-900	12.6VCT @ 900mA	6.3V @ 1.80A						
	FZ-16-700	16VCT @ 700mA	8V @ 1.40A						
	FZ-20-600	20VCT @ 600mA	10V @ 1.20A						
	FZ-24-500	24VCT @ 500mA	12V @ 1.00A						
	FZ-30-400	30VCT @ 400mA	15V @ 800mA						
FZ-34-340	34VCT @ 340mA	17V @ 680mA							
FZ-40-300	40VCT @ 300mA	20V @ 600mA							
FZ-56-200	56VCT @ 200mA	28V @ 400mA							
FZ-88-130	88VCT @ 130mA	44V @ 260mA							
FZ-120-100	120VCT @ 100mA	60V @ 200mA							
FZ-230-50	230VCT @ 50mA	115V @ 100mA							

Any application, Any requirement, Contact us for our Custom Designs



Our Aim is

ZERO DEFFECTS

"The Mark of Quality"

Our transformers are 100% tested.

Our highly skilled operators with 30 years average experience take personal pride in quality products they produce.

We at Wabash Transformer believe:

Quality goes in before name goes on.

Any application, Any requirement, Contact us for our Custom Designs

POWERVOLT GROUP

Printed Circuit Mount - Low Profile
High Performance
Series: Navigator Class (U)



Examples:

U006-2-024X = 6VA, Dual (series/parallel) Primary, 50/60Hz, no internal protector, Single 24V Secondary

U006-2A024 60HZ = 6VA, Dual Primary, 60HZ only, 130°C thermal cutoff, Dual 24V (series/parallel) Secondary

Printed Circuit Mount, Low Profile	UXXX	-X	X	XXX
Rating:				
U002 = 2.5VA				
U006 = 6VA				
U012 = 12VA				
U024 = 24VA				
U048 = 48VA				
Primary Voltages:				
-2 = 120/240 Dual (series / parallel)				
Optional Internal Protector:				
- (dash) = No internal protector				
A through Z = Over-current and/or over-temperature protection (Contact for list of available protectors)				
Secondary Voltages (10 through 240, in 1V Increments):				
010 through 240 = Dual Secondary (series / parallel) Number represents the voltage of the series connection. <i>Example: "024" = 12V (parallel) / 24V (series)</i>				
Frequency:				
Blank = 50/60Hz				
-60HZ = Economy 60Hz-only				

Any application, Any requirement, Contact us for our Custom Designs

Printed Circuit Mount - Low Profile
High Performance
Series: Navigator Class (U)

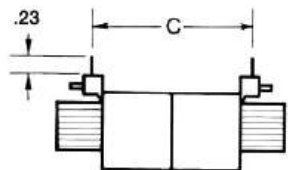
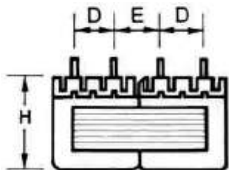
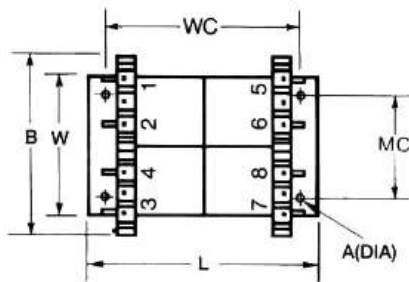
Flame Retardant Material

- Flame Retardant, UL 94V0 Rating
- High Efficiency
- 2.5 VA to 48 VA Power Rating
- Series or Parallel Primary, 115-120V / 230-240V
- 50/60Hz (Economy 60Hz-only Models Available)
- Series / Parallel Secondary
- Any Secondary Voltage from 5V to 240V in 1V Increments
- Insulation Material 130°C Standard (Optional 200°C)
- Optional Internal Current or Thermal Protector

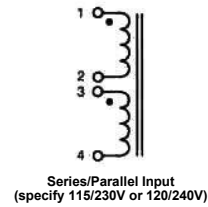


Agency Approvals:

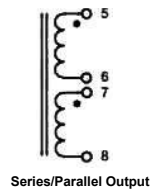
- UL/cUL 5085-2 Recognized (File E47299)
- UL 1446 Recognized Insulation System (File E95662)



Primary Schematics



Secondary Schematics



VA Rating		Secondary Voltage	Dimensions (Inches)										
			L	W	H	A	B	C	D	E	MC	WC	Pins
U002	2.5VA	Parallel from 5V to 120V Series, single or center-tapped from 10V to 240V	1.88	1.13	0.65	-	1.56	1.60	0.38	0.38	-	-	0.041 X 0.02
U006	6VA		1.88	1.13	0.81	-	1.56	1.60	0.38	0.38	-	-	0.041 X 0.02
U012	12VA		2.50	1.50	1.06	-	2.00	2.00	0.50	0.50	-	-	0.041 X 0.02
U024	24VA		2.81	1.69	1.25	0.156	2.25	1.90	0.60	0.53	1.31	2.44	0.041 Square
U048	48VA		3.13	1.88	1.38	0.125	2.50	2.18	0.60	0.66	1.38	2.63	0.041 Square

Any application, Any requirement, Contact us for our Custom Designs

Partial Selection Guide (Standard Stock)

Part Numbers	Series Secondary	Parallel Secondary	Part Numbers	Series Secondary	Parallel Secondary
U002-2-010	10VCT @ 250mA	5V @ 500mA	U002-2-034	34VCT @ 75mA	17V @ 150mA
U006-2-010	10VCT @ 600mA	5V @ 1.2A	U006-2-034	34VCT @ 170mA	17V @ 340mA
U012-2-010	10VCT @ 1.2A	5V @ 2.4A	U012-2-034	34VCT @ 340mA	17V @ 680mA
U024-2-010	10VCT @ 2.4A	5V @ 4.8A	U024-2-034	34VCT @ 700mA	17V @ 1.4A
U048-2-010	10VCT @ 4.8A	5V @ 9.6A	U048-2-034	34VCT @ 1.4A	17V @ 2.8A
U002-2-012	12.6VCT @ 200mA	6.3V @ 400mA	U002-2-040	40VCT @ 60mA	20V @ 120mA
U006-2-012	12.6VCT @ 450mA	6.3V @ 900mA	U006-2-040	40VCT @ 150mA	20V @ 300mA
U012-2-012	12.6VCT @ 900mA	6.3V @ 1.8A	U012-2-040	40VCT @ 300mA	20V @ 600mA
U024-2-012	12.6VCT @ 1.90A	6.3V @ 3.8A	U024-2-040	40VCT @ 600mA	20V @ 1.2A
U048-2-012	12.6VCT @ 3.8A	6.3V @ 7.6A	U048-2-040	40VCT @ 1.2A	20V @ 2.4A
U002-2-016	16VCT @ 150mA	8V @ 300mA	U002-2-056	56VCT @ 45mA	28V @ 90mA
U006-2-016	16VCT @ 350mA	8V @ 700mA	U006-2-056	56VCT @ 100mA	28V @ 200mA
U012-2-016	16VCT @ 700mA	8V @ 1.4A	U012-2-056	56VCT @ 200mA	28V @ 400mA
U024-2-016	16VCT @ 1.5A	8V @ 3.0A	U024-2-056	56VCT @ 425mA	28V @ 850mA
U048-2-016	16VCT @ 3.0A	8V @ 6.0A	U048-2-056	56VCT @ 850mA	28V @ 1.7A
U002-2-020	20VCT @ 125mA	10V @ 250mA	U002-2-088	88VCT @ 28mA	44V @ 56mA
U006-2-020	20VCT @ 300mA	10V @ 600mA	U006-2-088	88VCT @ 65mA	44V @ 130mA
U012-2-020	20VCT @ 600mA	10V @ 1.2A	U012-2-088	88VCT @ 130mA	44V @ 260mA
U024-2-020	20VCT @ 1.20A	10V @ 2.4A	U024-2-088	88VCT @ 275mA	44V @ 550mA
U048-2-020	20VCT @ 2.4A	10V @ 4.8A	U048-2-088	88VCT @ 550mA	44V @ 1.1A
U002-2-024	24VCT @ 100mA	12V @ 200mA	U002-2-120	120VCT @ 20mA	60V @ 40mA
U006-2-024	24VCT @ 250mA	12V @ 500mA	U006-2-120	120VCT @ 50mA	60V @ 100mA
U012-2-024	24VCT @ 500mA	12V @ 1.0A	U012-2-120	120VCT @ 100mA	60V @ 200mA
U024-2-024	24VCT @ 1.0A	12V @ 2.0A	U024-2-120	120VCT @ 200mA	60V @ 400mA
U048-2-024	24VCT @ 2.0A	12V @ 4.0A	U048-2-120	120VCT @ 400mA	60V @ 800mA
U002-2-030	30VCT @ 85mA	15V @ 170mA	U002-2-230	230VCT @ 10mA	115V @ 20mA
U006-2-030	30VCT @ 200mA	15V @ 400mA	U006-2-230	230VCT @ 25mA	115V @ 50mA
U012-2-030	30VCT @ 400mA	15V @ 800mA	U012-2-230	230VCT @ 50mA	115V @ 100mA
U024-2-030	30VCT @ 800mA	15V @ 1.6A	U024-2-230	230VCT @ 100mA	115V @ 200mA
U048-2-030	30VCT @ 1.6A	15V @ 3.2A	U048-2-230	230VCT @ 200mA	115V @ 400mA

Over 9,000 additional Navigator Class model configurations available!

Refer to the Part Numbering Scheme on the next page to **configure your own part** with following options:

- Primary: 115-120 / 230-240V
- Secondary: 5V to 240V, in 1V increments
- Frequency: 50/60Hz, or economy 60Hz-only
- With or without current or thermal protector(s)
- Temperature Class: 130°C, or 200°C

Any application, Any requirement, Contact us for our Custom Designs

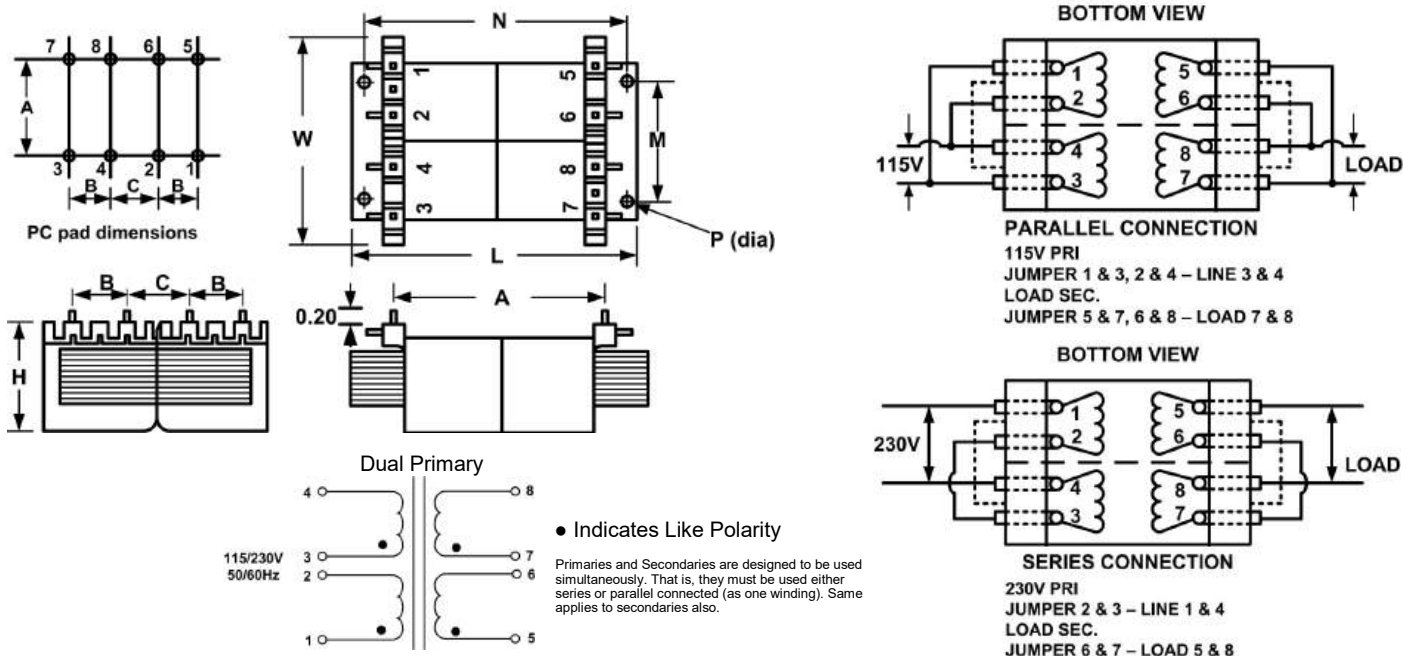
**Printed Circuit Mount - Low Profile
U.S Domestic
Series: SPW**

- Power Rating 2.5VA to 12VA
- Single Primary, 115/230V
- Frequency 50/60HZ
- Secondary Voltage 5 - 230V
- HIPOT – 1500 Vrms
- Insulation Material (130°C) Standard (Optional 200°C)
- No Electrostatic Shield Needed



Agency Approvals:

- UL/cUL 5085-2 Recognized (File E47299)
- UL 1446 Recognized Class B (130°C) OBJY2, Insulation File No. E95662



VA Rating	Dimensions (Inches)							Weight Oz.
	L	W	H	A	B	C	D	
2.5	1.870	1.560	0.650	1.600	0.375	0.375	0.041 X .020	5
6.0	1.870	1.560	0.850	1.600	0.375	0.375	0.041 X .020	7
9.0	1.870	1.560	1.080	1.600	0.375	0.375	0.041 X .020	9
12.0	2.500	2.000	1.065	2.000	0.500	0.500	0.041 X .020	11

Any application, Any requirement, Contact us for our Custom Designs

Partial Selection Guide

VA	Part Number			Secondary		
	115/230V Primary	Series	Parallel	115/230V Primary	Series	Parallel
2.5	SPW-050	10VCT @ 250mA	5V @ 500mA	SPW-150	10VCT @ 900mA	5V @ 1.80A
	SPW-051	12.6VCT @ 200mA	6.3V @ 400mA	SPW-151	12.6VCT @ 715mA	6.3V @ 1.43A
	SPW-052	16VCT @ 150mA	8V @ 300mA	SPW-152	16VCT @ 562mA	8V @ 1.125A
	SPW-053	20VCT @ 125mA	10V @ 250mA	SPW-153	20VCT @ 450mA	10V @ 900mA
	SPW-054	24VCT @ 100mA	12V @ 200mA	SPW-154	24VCT @ 375mA	12V @ 750mA
	SPW-055	34VCT @ 75mA	17V @ 150mA	SPW-155	34VCT @ 265mA	17V @ 530mA
	SPW-056	40VCT @ 60mA	20V @ 120mA	SPW-156	40VCT @ 225mA	20V @ 450mA
	SPW-057	56VCT @ 45mA	28V @ 90mA	SPW-157	56VCT @ 161mA	28V @ 322mA
	SPW-058	88VCT @ 28mA	44V @ 56mA	SPW-158	88VCT @ 102mA	44V @ 204mA
	SPW-059	120VCT @ 20mA	60V @ 40mA	SPW-159	120VCT @ 75mA	60V @ 150mA
	SPW-060	230VCT @ 10mA	115V @ 20mA	SPW-160	230VCT @ 39mA	115V @ 78mA
6.0	SPW-061	30VCT @ 85mA	15V @ 170mA	SPW-161	30VCT @ 300mA	15V @ 600mA
	SPW-100	10V CT @ 600mA	5V @ 1.2A	SPW-300	10V CT @ 1.2A	5V @ 2.4A
	SPW-101	12.6V CT @ 450mA	6.3V @ 900mA	SPW-301	12.6V CT @ 900mA	6.3V @ 1.8A
	SPW-102	16V CT @ 350mA	8V @ 700mA	SPW-302	16V CT @ 700mA	8V @ 1.4A
	SPW-103	20V CT @ 300mA	10V @ 600mA	SPW-303	20V CT @ 600mA	10V @ 1.2A
	SPW-104	24V CT @ 250mA	12V @ 500mA	SPW-304	24V CT @ 500mA	12V @ 1.0A
	SPW-105	34V CT @ 170mA	17V @ 340mA	SPW-305	34V CT @ 340mA	17V @ 680mA
	SPW-106	40 V CT @ 150mA	20V @ 300mA	SPW-306	40V CT @ 300mA	20V @ 600mA
	SPW-107	56V CT @ 100mA	28V @ 200mA	SPW-307	56V CT @ 200mA	28V @ 400mA
	SPW-108	88V CT @ 65mA	44V @ 130mA	SPW-308	88V CT @ 130mA	44V @ 260mA
	SPW-109	120V CT @ 50mA	60V @ 100mA	SPW-309	120V CT @ 100mA	60V @ 200mA
12.0	SPW-110	230V CT @ 25mA	115V @ 50mA	SPW-310	230V CT @ 50mA	115V @ 100mA
	SPW-111	30V CT @ 200mA	15V @ 400mA	SPW-311	30V CT @ 400mA	15V @ 800mA

Any application, Any requirement, Contact us for our Custom Designs

Printed Circuit Mount - Low Profile

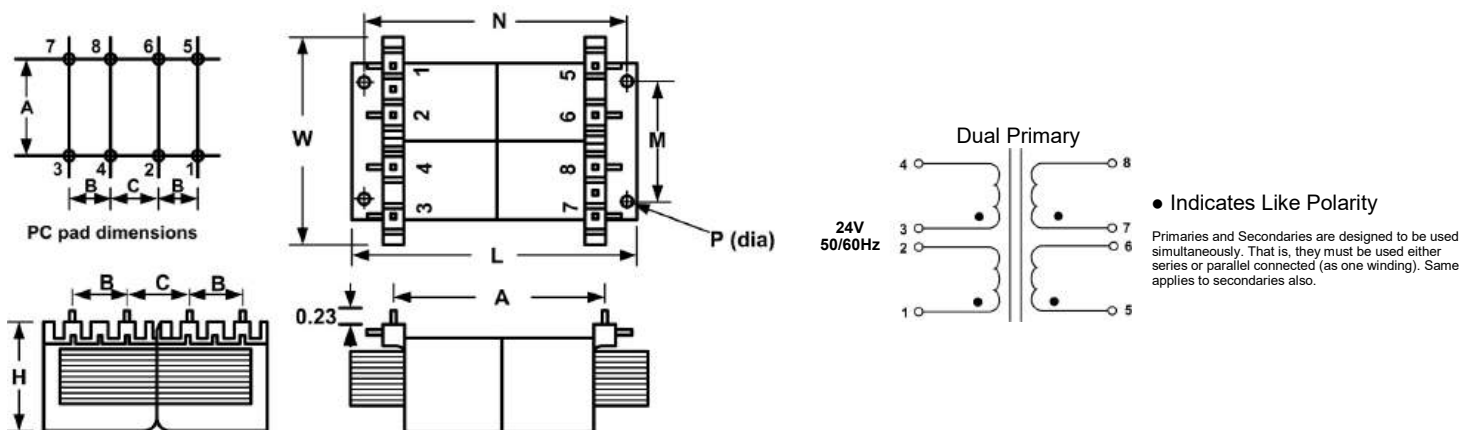
**24V Input
Series: SLP**

- Power Rating 2.2VA to 12VA
- Primary, 24V
- Frequency 50/60HZ
- Secondary Voltage 5 - 30V
- HIPOT – 1500 Vrms
- Insulation Material (130°C) Standard (Optional 200°C)
- Coated to resist dust and moisture



Agency Approvals:

- UL/cUL 5085-2 Recognized (File E47299)
- UL 1446 Recognized Class B (130°C), Insulation File No. E95662



VA Rating	Dimensions (Inches)							Weight Oz.
	L	W	H	A	B	C	D	
2.5	1.870	1.560	0.650	1.600	0.375	0.375	0.041 X .020	5
6.0	1.870	1.560	0.850	1.600	0.375	0.375	0.041 X .020	7
9.0	1.870	1.560	1.080	1.600	0.375	0.375	0.041 X .020	9
12.0	2.500	2.000	1.065	2.000	0.500	0.500	0.041 X .020	11

Any application, Any requirement, Contact us for our Custom Designs

Partial Selection Guide

VA	Part Number	Secondary	
	24V Primary	Series	Parallel
2.5	SLP-24-050	10VCT @ 250mA	5V @ 500mA
	SLP-24-051	12.6VCT @ 200mA	6.3V @ 400mA
	SLP-24-052	16VCT @ 150mA	8V @ 300mA
	SLP-24-053	20VCT @ 125mA	10V @ 250mA
	SLP-24-054	24VCT @ 100mA	12V @ 200mA
	SLP-24-061	30VCT @ 85mA	15V @ 170 mA
6.0	SLP-24-100	10VCT @ 600mA	5V @ 1.2A
	SLP-24-101	12.6VCT @ 450mA	6.3V @ 900mA
	SLP-24-102	16VCT @ 350mA	8V @ 700mA
	SLP-24-103	20VCT @ 300mA	10V @ 600mA
	SLP-24-104	24VCT @ 250mA	12V @ 500mA
	SLP-24-111	30VCT @ 200mA	15V @ 400mA
9.0	SLP-24-150	10VCT @ 900mA	5V @ 1.80A
	SLP-24-151	12.6VCT @ 715mA	6.3V @ 1.43A
	SLP-24-152	16VCT @ 562mA	8V @ 1.125A
	SLP-24-153	20VCT @ 450mA	10V @ 900mA
	SLP-24-154	24VCT @ 375mA	12V @ 750mA
	SLP-24-161	30VCT @ 300mA	15V @ 600mA
12.0	SLP-24-300	10VCT @ 1.2A	5V @ 2.4A
	SLP-24-301	12.6VCT @ 900mA	6.3V @ 1.8A
	SLP-24-302	16VCT @ 700mA	8V @ 1.4A
	SLP-24-303	20VCT @ 600mA	10V @ 1.2A
	SLP-24-304	24VCT @ 500mA	12V @ 1.0A
	SLP-24-311	30VCT @ 400mA	15V @ 800mA

Any application, Any requirement, Contact us for our Custom Designs

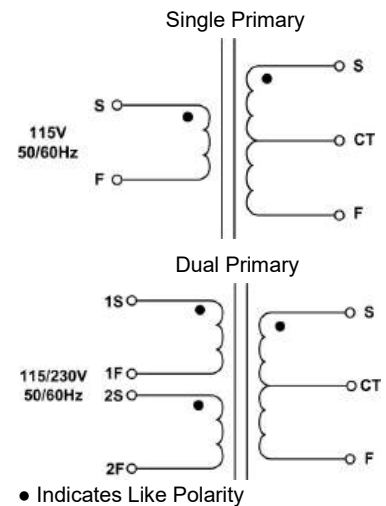
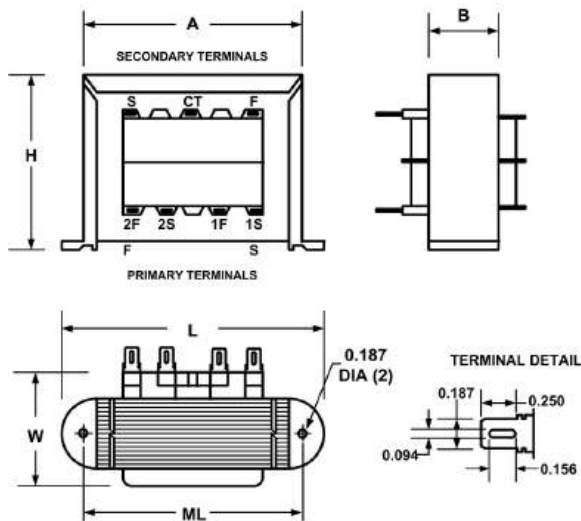
Chassis Mount - Quick Connect Econoline Series: PP/DPP

- Power Rating 2.4VA to 100VA
- Single or Dual Primary, 115V or 115/230V
- Frequency 50/60HZ
- Center-tapped Secondary
- Dielectric Strength – 2500 Vrms
- Insulation Class B (130°C)
- High power density, same power in half the size
- Low Capacitive Coupling, no Electrostatic Shield Needed



Agency Approvals:

- American and Canadian agency approvals: (File E47299)
- Insulation File No. E95662



• Indicates Like Polarity

Primaries and Secondaries are designed to be used simultaneously. That is, they must be used either series or parallel connected (as one winding). Same applies to secondaries also.

VA Rating	Dimensions (Inches)						Weight Lbs
	L	W	H	A	B	ML	
2.4	2.063	1.063	1.188	1.625	0.563	1.750	0.25
6.0	2.375	1.250	1.375	1.688	0.688	2.000	0.44
12.0	2.813	1.375	1.625	1.938	0.813	2.375	0.70
30.0	3.250	1.688	1.938	2.313	1.063	2.813	1.10
56.0	3.688	1.813	2.250	2.688	1.063	3.125	1.70
100.0	4.031	2.250	2.563	3.063	1.313	3.563	2.75

Any application, Any requirement, Contact us for our Custom Designs

VA	Part Number Primary 50/60 Hz		Secondary RMS Rating
	Single 115V	Dual 115/230V	
2.4	PP-3-10	N/A	10VCT @ 0.25A
	PP-3-12	N/A	12.6VCT @ 0.2A
	PP-3-16	N/A	16VCT @ 0.15A
	PP-3-20	N/A	20VCT @ 0.12A
	PP-3-24	N/A	24VCT @ 0.1A
	PP-3-28	N/A	28VCT @ 0.085A
	PP-3-36	N/A	36VCT @ 0.065A
	PP-3-48	N/A	48VCT @ 0.05A
	PP-3-56	N/A	56VCT @ 0.045A
PP-3-120	N/A	120VCT @ 0.02A	
6	PP-4-10	DPP-4-10	10VCT @ 0.6A
	PP-4-12	DPP-4-12	12.6VCT @ 0.5A
	PP-4-16	DPP-4-16	16VCT @ 0.4A
	PP-4-20	DPP-4-20	20VCT @ 0.3A
	PP-4-24	DPP-4-24	24VCT @ 0.25A
	PP-4-28	DPP-4-28	28VCT @ 0.2A
	PP-4-36	DPP-4-36	36VCT @ 0.17A
	PP-4-48	DPP-4-48	48VCT @ 0.125A
	PP-4-56	DPP-4-56	56VCT @ 0.11A
PP-4-120	DPP-4-120	120VCT @ 0.05A	
12	PP-5-10	DPP-5-10	10VCT @ 1.2A
	PP-5-12	DPP-5-12	12.6VCT @ 1.0A
	PP-5-16	DPP-5-16	16VCT @ 0.8A
	PP-5-20	DPP-5-20	20VCT @ 0.6A
	PP-5-24	DPP-5-24	24VCT @ 0.5A
	PP-5-28	DPP-5-28	28VCT @ 0.42A
	PP-5-36	DPP-5-36	36VCT @ 0.35A
	PP-5-48	DPP-5-48	48VCT @ 0.25A
	PP-5-56	DPP-5-56	56VCT @ 0.22A
PP-5-120	DPP-5-120	120VCT @ 0.1A	

VA	Part Number Primary 50/60 Hz		Secondary RMS Rating
	Single 115V	Dual 115/230V	
30	PP-6-10	DPP-6-10	10VCT @ 3.0A
	PP-6-12	DPP-6-12	12.6VCT @ 2.5A
	PP-6-16	DPP-6-16	16VCT @ 2.0A
	PP-6-20	DPP-6-20	20VCT @ 1.5A
	PP-6-24	DPP-6-24	24VCT @ 1.25A
	PP-6-28	DPP-6-28	28VCT @ 1.1A
	PP-6-36	DPP-6-36	36VCT @ 0.85A
	PP-6-48	DPP-6-48	48VCT @ 0.63A
	PP-6-56	DPP-6-56	56VCT @ 0.54A
PP-6-120	DPP-6-120	120VCT @ 0.25A	
56	PP-7-10	DPP-7-10	10VCT @ 5.0A
	PP-7-12	DPP-7-12	12.6VCT @ 4.0A
	PP-7-16	DPP-7-16	16VCT @ 3.5A
	PP-7-20	DPP-7-20	20VCT @ 2.8A
	PP-7-24	DPP-7-24	24VCT @ 2.4A
	PP-7-28	DPP-7-28	28VCT @ 2.0A
	PP-7-36	DPP-7-36	36VCT @ 1.5A
	PP-7-48	DPP-7-48	48VCT @ 1.2A
	PP-7-56	DPP-7-56	56VCT @ 1.0A
PP-7-120	DPP-7-120	120VCT @ 0.5A	
100	PP-8-10	DPP-8-10	10VCT @ 10A
	PP-8-12	DPP-8-12	12.6VCT @ 8.0A
	PP-8-16	DPP-8-16	16VCT @ 6.25A
	PP-8-20	DPP-8-20	20VCT @ 5.0A
	PP-8-24	DPP-8-24	24VCT @ 4.0A
	PP-8-28	DPP-8-28	28VCT @ 3.6A
	PP-8-36	DPP-8-36	36VCT @ 2.8A
	PP-8-48	DPP-8-48	48VCT @ 2.0A
	PP-8-56	DPP-8-56	56VCT @ 1.8A
PP-8-120	DPP-8-120	120VCT @ 0.85A	

Any application, Any requirement, Contact us for our Custom Designs



DURABILITY

Designed & built to last

TECHNOLOGY

Innovative designs using modern materials

LEGACY

Support throughout your production cycle and into tomorrow's designs

DESIGN FOR THE FUTURE

ENCAPSULATED TRANSFORMERS

- 0.6 VA to 70.0 VA
- UL/cUL 5085-2 General Purpose and 5085-3 Class 2 approved
- TUV EN 61558/EN60950 approved, and CE-marked
- Operating ambient temperatures up to +70°C



Any application, Any requirement, Contact us for our Custom Designs

POWERVOLT GROUP

Chassis Mount - Quick Connect
High Performance
Series: Commodore Class (T)



Example:

T075-2A724 = 75VA, Dual (series/parallel) Primary, 50/60Hz, with 130°C thermal cut-off, Single 24V Secondary

Frame Mount with Terminals	TXXX	-X	X	XXX	XXXX
Rating:					
T002 = 2.4VA, models up to 24V are also Class 2 (see Page 17)					
T006 = 6VA					
T012 = 12VA					
T030 = 30VA					
T050 = 50VA					
T056 = 56VA					
T100 = 100VA					
Primary Voltages:					
-1 = 115-120V					
-2 = 115-120V / 230-240V Dual (series / parallel)					
-3 = 230-240V					
-4 = 277, unavailable on Class 2 models					
-5 = 240/277, unavailable on Class 2 models					
Optional Internal Protector:					
- (dash) = No internal protector					
A through Z = Over-current and/or over-temperature protection (Contact for list of available protectors)					
Secondary Voltages (10 through 120, in 1V Increments):					
010 through 120 = Dual Secondary (series / parallel) Number represents the voltage of the series connection. <i>Example: "024" = 12V (parallel) / 24V (series)</i>					
510 through 620 = Center-tapped Secondary Number represents the total voltage plus 500. <i>Example: "524" = 24V with center-tap (12V on each side)</i>					
710 through 820 = Single Secondary Number represents the voltage plus 700. <i>Example: "724" = 24V</i>					
Frequency:					
Blank = 50/60Hz					
-60HZ = Economy 60Hz-only					

Any application, Any requirement, Contact us for our Custom Designs

Chassis Mount - Quick Connect
High Performance
Series: Commodore Class (T)

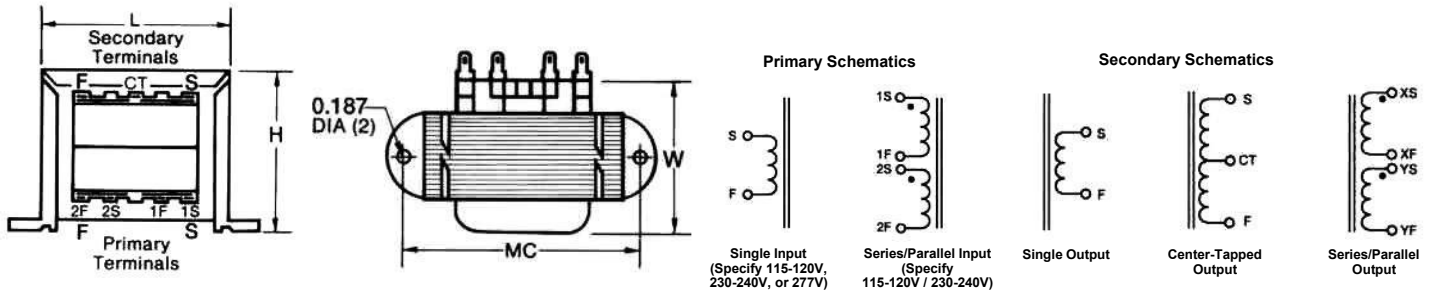
Flame Retardant Material

- Flame Retardant, UL 94V0 Rating
- High Efficiency
- 2.4VA to 100VA Power Rating
- Single or Dual Primary, 115-120V, 230-240V, 277V, or 115-120V / 230-240V
- 50/60HZ (Economy 60Hz-only Models Available)
- Center-tapped Secondary (Optional Single or Dual)
- Any Secondary Voltage from 5V to 120V in 1V Increments
- Insulation Material 130°C Standard (Optional 200°C)
- Optional Internal Current or Thermal Protector
- High Isolation, 2500 Vrms, 100% Tested
- Low Capacitive Coupling, no Electrostatic Shield Needed
- Quick-Connect Terminals
- Optional Internal current or thermal protector



Agency Approvals:

- UL/cUL 5085-2 Recognized (File E47299)
- UL 1446 Recognized Insulation system (File E95662)
- UL/cUL 5085-3 Class 2 Recognized (File E43609), Only T002 (up to 24V)



VA Rating		Secondary Voltage	Dimensions (Inches)			
			L	W	H	MC
T002	2.4VA	Parallel from 5V to 60V	1.45	1.17	1.19	1.75
T006	6VA		1.70	1.30	1.38	2.00
T012	12VA	Series, single & center-tapped from 10V to 120V	1.95	1.44	1.62	2.38
T030	30VA		2.32	1.76	1.94	2.81
T050	50VA		2.70	1.87	2.25	3.12
T056	56VA		2.70	1.87	2.25	3.12
T100	100VA		3.08	2.25	2.56	3.56

Any application, Any requirement, Contact us for our Custom Designs

Part Numbers				Part Numbers			
115-120V Primary	115-120V/230-240 Primary	230-240V Primary	Secondary	115-120V Primary	115-120V/230-240 Primary	230-240V Primary	Secondary
T002-1-510*	-	T002-3-510*	10VCT @ 250mA	T002-1-528	-	T002-3-528	28VCT @ 85mA
T006-1-510	T006-2-510	T006-3-510	10VCT @ 600mA	T006-1-528	T006-2-528	T006-3-528	28VCT @ 200mA
T012-1-510	T012-2-510	T012-3-510	10VCT @ 1.2A	T012-1-528	T012-2-528	T012-3-528	28VCT @ 420mA
T030-1-510	T030-2-510	T030-3-510	10VCT @ 3.0A	T030-1-528	T030-2-528	T030-3-528	28VCT @ 1.0A
T050-1-510	T050-2-510	T050-3-510	10VCT @ 5.0A	T050-1-528	T050-2-528	T050-3-528	28VCT @ 2.0A
T100-1-510	T100-2-510	T100-3-510	10VCT @ 10A	T100-1-528	T100-2-528	T100-3-528	28VCT @ 3.6A
T002-1-512*	-	T002-3-512*	12.6VCT @ 200mA	T002-1-536	-	T002-3-536	36VCT @ 65mA
T006-1-512	T006-2-512	T006-3-512	12.6VCT @ 500mA	T006-1-536	T006-2-536	T006-3-536	36VCT @ 170mA
T012-1-512	T012-2-512	T012-3-512	12.6VCT @ 1.0A	T012-1-536	T012-2-536	T012-3-536	36VCT @ 350mA
T030-1-512	T030-2-512	T030-3-512	12.6VCT @ 2.5A	T030-1-536	T030-2-536	T030-3-536	36VCT @ 850mA
T050-1-512	T050-2-512	T050-3-512	12.6VCT @ 4.0A	T050-1-536	T050-2-536	T050-3-536	36VCT @ 1.5A
T100-1-512	T100-2-512	T100-3-512	12.6VCT @ 8.0A	T100-1-536	T100-2-536	T100-3-536	36VCT @ 2.8A
T002-1-516*	-	T002-3-516*	16VCT @ 150mA	T002-1-548	-	T002-3-548	48VCT @ 50mA
T006-1-516	T006-2-516	T006-3-516	16VCT @ 400mA	T006-1-548	T006-2-548	T006-3-548	48VCT @ 125mA
T012-1-516	T012-2-516	T012-3-516	16VCT @ 800mA	T012-1-548	T012-2-548	T012-3-548	48VCT @ 250mA
T030-1-516	T030-2-516	T030-3-516	16VCT @ 2.0A	T030-1-548	T030-2-548	T030-3-548	48VCT @ 630mA
T050-1-516	T050-2-516	T050-3-516	16VCT @ 3.5A	T050-1-548	T050-2-548	T050-3-548	48VCT @ 1.2A
T100-1-516	T100-2-516	T100-3-516	16VCT @ 6.25A	T100-1-548	T100-2-548	T100-3-548	48VCT @ 2.0A
T002-1-520*	-	T002-3-520*	20VCT @ 120mA	T002-1-556	-	T002-3-556	56VCT @ 45mA
T006-1-520	T006-2-520	T006-3-520	20VCT @ 300mA	T006-1-556	T006-2-556	T006-3-556	56VCT @ 110mA
T012-1-520	T012-2-520	T012-3-520	20VCT @ 600mA	T012-1-556	T012-2-556	T012-3-556	56VCT @ 220mA
T030-1-520	T030-2-520	T030-3-520	20VCT @ 1.50A	T030-1-556	T030-2-556	T030-3-556	56VCT @ 540mA
T050-1-520	T050-2-520	T050-3-520	20VCT @ 2.8A	T050-1-556	T050-2-556	T050-3-556	56VCT @ 1.0A
T100-1-520	T100-2-520	T100-3-520	20VCT @ 5.0A	T100-1-556	T100-2-556	T100-3-556	56VCT @ 1.8A
T002-1-524*	-	T002-3-524*	24VCT @ 100mA	T002-1-620	-	T002-3-620	120VCT @ 20mA
T006-1-524	T006-2-524	T006-3-524	24VCT @ 250mA	T006-1-620	T006-2-620	T006-3-620	120VCT @ 50mA
T012-1-524	T012-2-524	T012-3-524	24VCT @ 500mA	T012-1-620	T012-2-620	T012-3-620	120VCT @ 100mA
T030-1-524	T030-2-524	T030-3-524	24VCT @ 1.25A	T030-1-620	T030-2-620	T030-3-620	120VCT @ 250mA
T050-1-524	T050-2-524	T050-3-524	24VCT @ 2.4A	T050-1-620	T050-2-620	T050-3-620	120VCT @ 500mA
T100-1-524	T100-2-524	T100-3-524	24VCT @ 4.0A	T100-1-620	T100-2-620	T100-3-620	120VCT @ 850mA

Models marked with * are also UL 5085-3 Class 2 recognized (see Page 17)

Over 50,000 additional Commodore Class model configurations available!

Refer to the Part Numbering Scheme on the next page to **configure your own part** with following options:

- Primary: Single or Dual
- Secondary: 5V to 120V, in 1V increments
- Frequency: 50/60Hz, or economy 60Hz-only
- With or without current or thermal protector(s)
- Temperature Class: 130°C, or 200°C

Any application, Any requirement, Contact us for our Custom Designs

Chassis Mount - Quick Connect High Performance Series: Commodore Class (T)

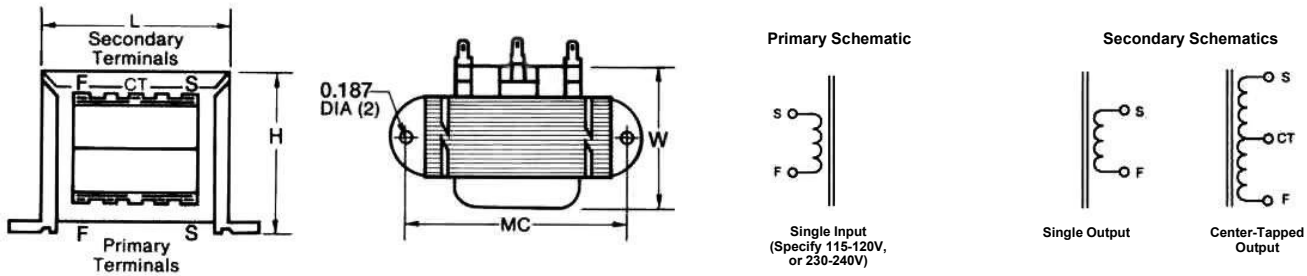
Flame Retardant Material

- Flame Retardant, UL 94V0 Rating
- High Efficiency
- 2.4VA Power Rating
- Single Primary, 115-120V or 230-240V
- 50/60Hz (Economy 60Hz-only Models Available)
- Single Secondary (Optional Center-tapped)
- Any Secondary Voltage from 10V to 24V in 1V Increments
- Insulation Material 130°C Standard (Optional 200°C)
- Optional Internal Current or Thermal Protector
- High Isolation, 2500 Vrms, 100% Tested
- Low Capacitive Coupling, no Electrostatic Shield Needed
- Quick-Connect Terminals
- Optional Internal current or thermal protector



Agency Approvals:

- UL/cUL 5085-2 Recognized (File E47299)
- UL 1446 Recognized Insulation system (File E95662)
- UL/cUL 5085-3 Class 2 Recognized (File E43609), (up to 24V)



VA Rating		Secondary Voltage	Dimensions (Inches)			
			L	W	H	MC
*T002	2.4VA	Up to 24V only	1.45	1.17	1.19	1.75

*T002 Series unavailable in dual inputs or outputs

Partial Selection Guide (Standard Stock)

Part Number		
115-120V Primary	230-240V Primary	Secondary
T002-1-710	T002-3-710	10V @ 250mA
T002-1-712	T002-3-712	12.6V @ 200mA
T002-1-716	T002-3-716	16V @ 150mA
T002-1-720	T002-3-720	20V @ 120mA
T002-1-724	T002-3-724	24V @ 100mA

Any application, Any requirement, Contact us for our Custom Designs

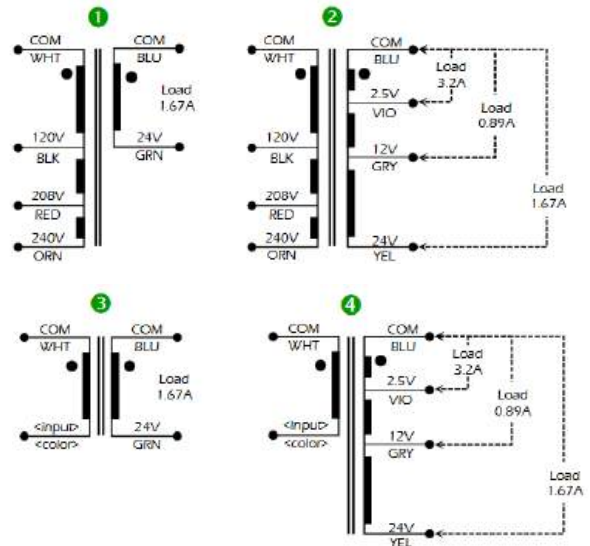
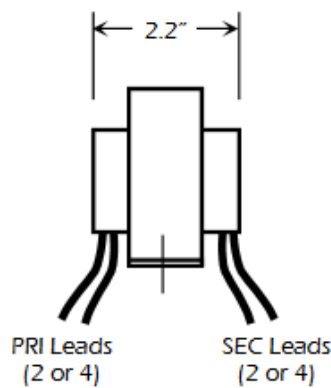
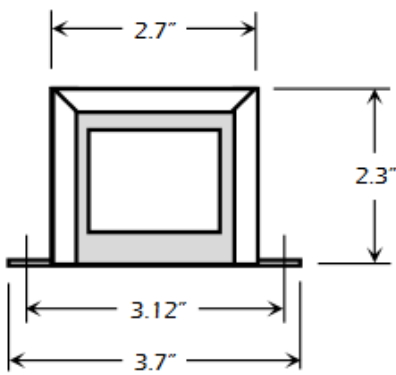
**Chassis Mount - Quick Connect
General Purpose
Series: SPWC**

- Power Rating 40VA to 60VA
- Primary, 120/208/240/277
- Frequency 50/60HZ
- Secondary Voltage 24V
- High Isolation – 2500 Vrms
- Insulation Material (130°C) Standard
- Coated to resist dust and moisture



Agency Approvals:

- UL/cUL 5085-2 Recognized (File E47299)
- CSA C22.2 #66 certified (063944)



Partial Selection Guide (Standard Stock)

VA	Part Number	Primary	Secondary
40	SPWC-4600	120/208/240V	24V
40	SPWC-4601	120/208/240V	2.5V 8VA, 12V 11VA, 24V 40VA
40	SPWC-4602	120V	24V
40	SPWC-4603	240V	24V
40	SPWC-4604	277V	24V
40	SPWC-4605	120V	2.5V 8VA, 12V 11VA, 24V 40VA
40	SPWC-4606	240V	2.5V 8VA, 12V 11VA, 24V 40VA
40	SPWC-4607	277V	2.5V 8VA, 12V 11VA, 24V 40VA

Any application, Any requirement, Contact us for our Custom Designs

Chassis Mount - Quick Connect

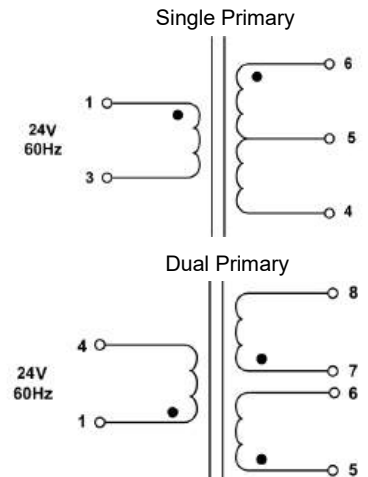
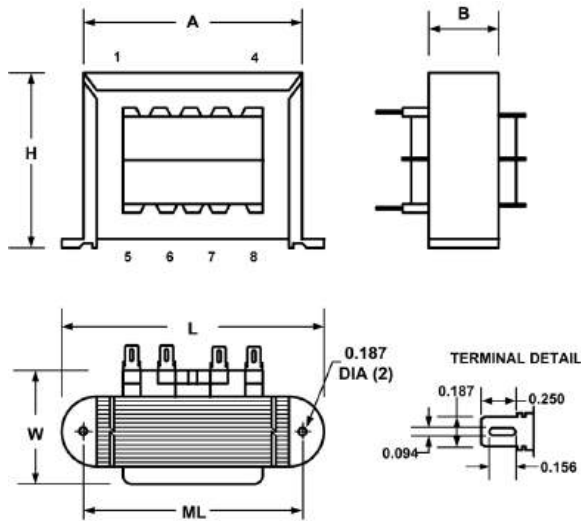
**24V Input
Series: CSLP**

- Power Rating 2.4VA to 12VA
- Primary, 24V
- Frequency 50/60HZ
- Secondary Voltage 10V-28V
- High Isolation – 2500 Vrms
- Insulation Material (130°C) Standard
- Coated to resist dust and moisture



Agency Approvals:

- UL/cUL 5085-2 Recognized (File E47299)
- UL 1446 Recognized Class B (130°C), Insulation File No. E95662



• Indicates Like Polarity

Primaries and Secondaries are designed to be used simultaneously. That is, they must be used either series or parallel connected (as one winding). Same applies to secondaries also.

VA Rating	Dimensions (Inches)						Weight Lbs
	L	W	H	A	B	ML	
2.4	2.100	1.170	1.200	1.625	0.563	1.750	0.25
6.0	2.375	1.300	1.375	1.688	0.688	2.000	0.44
12.0	2.813	1.410	1.625	1.938	0.813	2.375	0.70

Any application, Any requirement, Contact us for our Custom Designs

Partial Selection Guide (Standard Stock)

VA	Part Number	Secondary	
	24V Primary	Series	Parallel
2.4	CSLP-24-400	10VCT @0.25A	-
	CSLP-24-401	12.6VCT @ 0.200A	-
	CSLP-24-402	16VCT @ 0.150A	-
	CSLP-24-403	20VCT @ 0.120A	-
	CSLP-24-404	24VCT @ 0.100A	-
	CSLP-24-405	28VCT @ 0.085A	-
6.0	CSLP-24-500	10VCT @ 0.600A	5V @ 1.20A
	CSLP-24-501	12.6VCT @ 0.500A	6.3v @ 1.00A
	CSLP-24-502	16VCT @ 0.400A	8V @ 0.80A
	CSLP-24-503	20VCT @ 0.300A	10V @ 0.60A
	CSLP-24-504	24VCT @ 0.250A	12V @ 0.50A
	CSLP-24-505	28VCT @ 0.200A	14V @ 0.40A
12.0	CSLP-24-600	10VCT @ 1.20A	5V @ 2.40A
	CSLP-24-601	12.6VCT @ 1.00A	6.3V @ 2.00A
	CSLP-24-602	16VCT @ 0.80A	8V @ 1.6A
	CSLP-24-603	20VCT @ 0.60A	10V @ 1.20A
	CSLP-24-604	24VCT @ 0.50A	12V @ 1.00A
	CSLP-24-605	28VCT @ 0.42A	14V @ 0.84A

Any application, Any requirement, Contact us for our Custom Designs

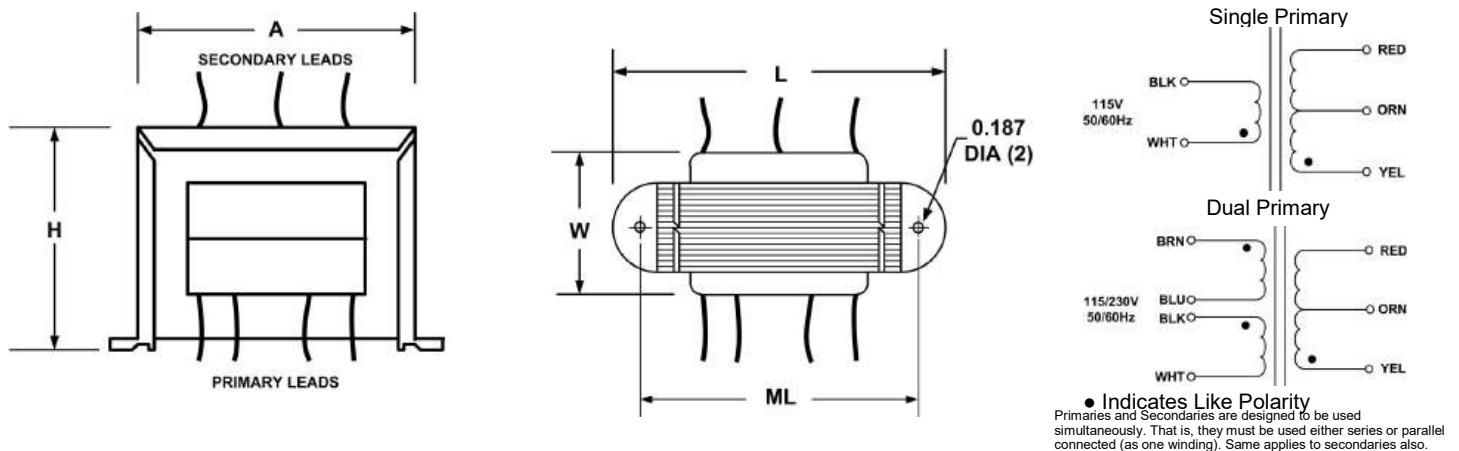
Chassis Mount - Lead Wires Econoline Series: PSL/PDL

- Power Rating 1.2VA to 100VA
- Single or Dual Primary, 115V or 115/230V
- Frequency 50/60HZ
- Center-tapped Secondary
- Dielectric Strength – 2500 Vrms
- Insulation Class B (130°C)
- Low Capacitive Coupling, no Electrostatic Shield Needed
- Color Coded Hook-up Wires



Agency Approvals:

- UL/cUL 5085-2 Recognized (File E47299)
- Insulation File No. E95662



VA Rating	Dimensions (Inches)					Wt. lbs
	L	W	H	A	ML	
1.2	2.063	1.00	1.19	1.45	1.75	0.25
2.4	2.063	1.40	1.19	1.45	1.75	0.25
5	2.375	1.50	1.38	1.70	2.00	0.44
6	2.375	1.50	1.38	1.70	2.00	0.44
10	2.813	1.64	1.62	1.95	2.38	0.70
12	2.813	1.64	1.62	1.95	2.38	0.70
15	2.813	1.64	1.62	1.95	2.38	0.70
20	3.250	1.60	1.94	2.32	2.81	1.10
30	3.250	2.00	1.94	2.32	2.81	1.10
40	3.688	1.95	2.25	2.70	3.12	1.70
50	3.688	2.13	2.25	2.70	3.12	1.70
56	3.688	2.13	2.25	2.70	3.12	1.70
75	4.031	2.25	2.56	3.08	3.56	2.75
80	4.031	2.25	2.56	3.08	3.56	2.75
100	4.031	2.50	2.56	3.08	3.56	2.75

Any application, Any requirement, Contact us for our Custom Designs

Partial Selection Guide

VA	Part Number			VA	Part Number		
	115V Primary	115/230V Primary	Secondary		115V Primary	115/230V Primary	Secondary
1.2	PSL-012-10	PDL-012-10	10VCT @ 0.12A	10.0	PSL-10-10	PDL-10-10	10VCT @ 1.00A
	PSL-012-126	PDL-012-126	12.6VCT @ 0.095A		PSL-10-126	PDL-10-126	12.6VCT @ 0.79A
	PSL-012-16	PDL-012-16	16VCT @ 0.075A		PSL-10-16	PDL-10-16	16VCT @ 0.625A
	PSL-012-20	PDL-012-20	20VCT @ 0.060A		PSL-10-20	PDL-10-20	20VCT @ 0.500A
	PSL-012-24	PDL-012-24	24VCT @ 0.050A		PSL-10-24	PDL-10-24	24VCT @ 0.417A
	PSL-012-28	PDL-012-28	28VCT @ 0.043A		PSL-10-28	PDL-10-28	28VCT @ 0.357A
	PSL-012-36	PDL-012-36	36VCT @ 0.014A		PSL-10-36	PDL-10-36	36VCT @ 0.278A
	PSL-012-48	PDL-012-48	48VCT @ 0.025A		PSL-10-48	PDL-10-48	48VCT @ 0.208A
	PSL-012-56	PDL-012-56	56VCT @ 0.021A		PSL-10-56	PDL-10-56	56VCT @ 0.180A
2.4	PSL-012-120	PDL-012-120	120VCT @ 0.010A	PSL-10-120	PDL-10-120	120VCT @ 0.083A	
	PSL-24-10	PDL-24-10	10VCT @ 0.240A	PSL-12-10	PDL-12-10	10VCT @ 1.2A	
	PSL-24-126	PDL-24-126	12.6VCT @ 0.190A	PSL-12-126	PDL-12-126	12.6VCT @ 0.95A	
	PSL-24-16	PDL-24-16	16VCT @ 0.150A	PSL-12-16	PDL-12-16	16VCT @ 0.75A	
	PSL-24-20	PDL-24-20	20VCT @ 0.120A	PSL-12-20	PDL-12-20	20VCT @ 0.60A	
	PSL-24-24	PDL-24-24	24VCT @ 0.100A	PSL-12-24	PDL-12-24	24VCT @ 0.50A	
	PSL-24-28	PDL-24-28	28VCT @ 0.085A	PSL-12-28	PDL-12-28	28VCT @ 0.428A	
	PSL-24-36	PDL-24-36	36VCT @ 0.066A	PSL-12-36	PDL-12-36	36VCT @ 0.33A	
	PSL-24-48	PDL-24-48	48VCT @ 0.050A	PSL-12-48	PDL-12-48	48VCT @ 0.25A	
5.0	PSL-24-56	PDL-24-56	56VCT @ 0.043A	PSL-12-56	PDL-12-56	56VCT @ 0.214A	
	PSL-24-120	PDL-24-120	120VCT @ 0.020A	PSL-12-120	PDL-12-120	120VCT @ 0.10A	
	PSL-05-10	PDL-05-10	10VCT @ 0.500A	PSL-15-10	PDL-15-10	10VCT @ 1.5A	
	PSL-05-126	PDL-05-126	12.6VCT @ 0.397A	PSL-15-126	PDL-15-126	12.6VCT @ 1.19A	
	PSL-05-16	PDL-05-16	16VCT @ 0.312A	PSL-15-16	PDL-15-16	16VCT @ 0.94A	
	PSL-05-20	PDL-05-20	20VCT @ 0.250A	PSL-15-20	PDL-15-20	20VCT @ 0.750A	
	PSL-05-24	PDL-05-24	24VCT @ 0.208A	PSL-15-24	PDL-15-24	24VCT @ 0.625A	
	PSL-05-28	PDL-05-28	28VCT @ 0.178A	PSL-15-28	PDL-15-28	28VCT @ 0.536A	
	PSL-05-36	PDL-05-36	36VCT @ 0.138A	PSL-15-36	PDL-15-36	36VCT @ 0.417A	
6.0	PSL-05-48	PDL-05-48	48VCT @ 0.104A	PSL-15-48	PDL-15-48	48VCT @ 0.312A	
	PSL-05-56	PDL-05-56	56VCT @ 0.089A	PSL-15-56	PDL-15-56	56VCT @ 0.268A	
	PSL-05-120	PDL-05-120	120VCT @ 0.042A	PSL-15-120	PDL-15-120	120VCT @ 0.125A	
	PSL-06-10	PDL-06-10	10VCT @ 0.600A	PSL-20-10	PDL-20-10	10VCT @ 2.0A	
	PSL-06-126	PDL-06-126	12.6VCT @ 0.476A	PSL-20-126	PDL-20-126	12.6VCT @ 1.58A	
	PSL-06-16	PDL-06-16	16VCT @ 0.375A	PSL-20-16	PDL-20-16	16VCT @ 1.25A	
	PSL-06-20	PDL-06-20	20VCT @ 0.300A	PSL-20-20	PDL-20-20	20VCT @ 1.0A	
	PSL-06-24	PDL-06-24	24VCT @ 0.250A	PSL-20-24	PDL-20-24	24VCT @ 0.834A	
	PSL-06-28	PDL-06-28	28VCT @ 0.214A	PSL-20-28	PDL-20-28	28VCT @ 0.714A	
6.0	PSL-06-36	PDL-06-36	36VCT @ 0.167A	PSL-20-36	PDL-20-36	36VCT @ 0.555A	
	PSL-06-48	PDL-06-48	48VCT @ 0.125A	PSL-20-48	PDL-20-48	48VCT @ 0.417A	
	PSL-06-56	PDL-06-56	56VCT @ 0.107A	PSL-20-56	PDL-20-56	56VCT @ 0.357A	
	PSL-06-120	PDL-06-120	120VCT @ 0.050A	PSL-20-120	PDL-20-120	120VCT @ 0.167A	

Any application, Any requirement, Contact us for our Custom Designs

Chassis Mount - Lead Wires
Econoline
Series: PSL/PDL



Partial Selection Guide (Continued)

VA	Part Number			VA	Part Number		
	115V Primary	115/230V Primary	Secondary		115V Primary	115/230V Primary	Secondary
30.0	PSL-30-10	PDL-30-10	10VCT @ 3.0A	75.0	PSL-75-10	PDL-75-10	10VCT @ 7.50A
	PSL-30-12	PDL-30-12	12VCT @ 2.50A		PSL-75-12	PDL-75-12	12VCT @ 6.25A
	PSL-30-16	PDL-30-16	16VCT @ 1.875A		PSL-75-16	PDL-75-16	16VCT @ 4.69A
	PSL-30-20	PDL-30-20	20VCT @ 1.50A		PSL-75-20	PDL-75-20	20VCT @ 3.75A
	PSL-30-24	PDL-30-24	24VCT @ 1.25A		PSL-75-24	PDL-75-24	24VCT @ 3.125A
	PSL-30-28	PDL-30-28	28VCT @ 1.071A		PSL-75-28	PDL-75-28	28VCT @ 2.68A
	PSL-30-36	PDL-30-36	36VCT @ 0.833A		PSL-75-36	PDL-75-36	36VCT @ 2.08A
	PSL-30-48	PDL-30-48	48VCT @ 0.625A		PSL-75-48	PDL-75-48	48VCT @ 1.56A
	PSL-30-56	PDL-30-56	56VCT @ 0.536A		PSL-75-56	PDL-75-56	56VCT @ 1.34A
	PSL-30-120	PDL-30-120	120VCT @ 0.250A		PSL-75-120	PDL-75-120	120VCT @ 0.47A
40.0	PSL-40-10	PDL-40-10	10VCT @ 4.0A	80.0	PSL-80-10	PDL-80-10	10VCT @ 8.0A
	PSL-40-12	PDL-40-12	12VCT @ 3.33A		PSL-80-12	PDL-80-12	12VCT @ 6.66A
	PSL-40-16	PDL-40-16	16VCT @ 2.50A		PSL-80-16	PDL-80-16	16VCT @ 5.00A
	PSL-40-20	PDL-40-20	20VCT @ 2.0A		PSL-80-20	PDL-80-20	20VCT @ 4.00A
	PSL-40-24	PDL-40-24	24VCT @ 1.67A		PSL-80-24	PDL-80-24	24VCT @ 3.33A
	PSL-40-28	PDL-40-28	28VCT @ 1.43A		PSL-80-28	PDL-80-28	28VCT @ 2.86A
	PSL-40-36	PDL-40-36	36VCT @ 1.11A		PSL-80-36	PDL-80-36	36VCT @ 2.22A
	PSL-40-48	PDL-40-48	48VCT @ 0.834A		PSL-80-48	PDL-80-48	48VCT @ 1.67A
	PSL-40-56	PDL-40-56	56VCT @ 0.714A		PSL-80-56	PDL-80-56	56VCT @ 1.43A
	PSL-40-120	PDL-40-120	120VCT @ 0.334A		PSL-80-120	PDL-80-120	120VCT @ 0.67A
50.0	PSL-50-10	PDL-50-10	10VCT @ 5.0A	100.0	PSL-100-10	PDL-100-10	10VCT @ 10A
	PSL-50-12	PDL-50-12	12VCT @ 4.17A		PSL-100-12	PDL-100-12	12VCT @ 8.33A
	PSL-50-16	PDL-50-16	16VCT @ 3.125A		PSL-100-16	PDL-100-16	16VCT @ 6.25A
	PSL-50-20	PDL-50-20	20VCT @ 2.5A		PSL-100-20	PDL-100-20	20VCT @ 5.0A
	PSL-50-24	PDL-50-24	24VCT @ 2.08A		PSL-100-24	PDL-100-24	24VCT @ 4.17A
	PSL-50-28	PDL-50-28	28VCT @ 1.78A		PSL-100-28	PDL-100-28	28VCT @ 3.57A
	PSL-50-36	PDL-50-36	36VCT @ 1.39A		PSL-100-36	PDL-100-36	36VCT @ 2.78A
	PSL-50-48	PDL-50-48	48VCT @ 1.042A		PSL-100-48	PDL-100-48	48VCT @ 2.08A
	PSL-50-56	PDL-50-56	56VCT @ 0.893A		PSL-100-56	PDL-100-56	56VCT @ 1.79A
	PSL-50-120	PDL-50-120	120VCT @ 0.417A		PSL-100-120	PDL-100-120	120VCT @ 0.833A
56.0	PSL-56-10	PDL-56-10	10VCT @ 5.6A				
	PSL-56-12	PDL-56-12	12VCT @ 4.66A				
	PSL-56-16	PDL-56-16	16VCT @ 3.15A				
	PSL-56-20	PDL-56-20	20VCT @ 2.80A				
	PSL-56-24	PDL-56-24	24VCT @ 2.33A				
	PSL-56-28	PDL-56-28	28VCT @ 2.00A				
	PSL-56-36	PDL-56-36	36VCT @ 1.56A				
	PSL-56-48	PDL-56-48	48VCT @ 1.17A				
	PSL-56-56	PDL-56-56	56VCT @ 1.0A				
	PSL-56-120	PDL-56-120	120VCT @ 0.47A				

Any application, Any requirement, Contact us for our Custom Designs

Chassis Mount - Lead Wires
High Performance
Series: Commander Class (L)



Examples:
 L075-2A724 = 75VA, Dual (series/parallel) Primary, 50/60Hz, 130°C thermal cutoff, Single 24V Secondary

Frame Mount with Lead Wires	LXXX	-X	X	XXX	XXXX
Rating:					
L002 = 2.4VA, models up to 24V are also Class 2 (see Page 22)					
L006 = 6VA		L050 = 50VA			
L012 = 12VA		L056 = 56VA			
L020 = 20VA		L075 = 75VA			
L030 = 30VA		L100 = 100VA			
L040 = 40VA					
Primary Voltages:					
-1 = 115-120V					
-2 = 115-120V / 230-240V Dual (series / parallel)					
-3 = 230-240V					
-4 = 277, unavailable on Class 2 models					
-5 = 240/277 (tapped), unavailable on Class 2 models					
Optional Internal Protector:					
- (dash) = No internal protector					
A through Z = Over-current and/or over-temperature protection (Contact for list of available protectors)					
Secondary Voltages (10 through 120, in 1V Increments):					
010 through 120 = Dual Secondary (series / parallel) Number represents the voltage of the series connection. <i>Example: "024" = 12V (parallel) / 24V (series)</i>					
510 through 620 = Center-tapped Secondary Number represents the total voltage plus 500. <i>Example: "524" = 24V with center-tap (12V on each side)</i>					
710 through 820 = Single Secondary Number represents the voltage plus 700. <i>Example: "724" = 24V</i>					
Frequency:					
Blank = 50/60Hz					
-60HZ = Economy 60Hz-only					

Any application, Any requirement, Contact us for our Custom Designs

Chassis Mount - Lead Wires
High Performance
Series: Commander Class (L)

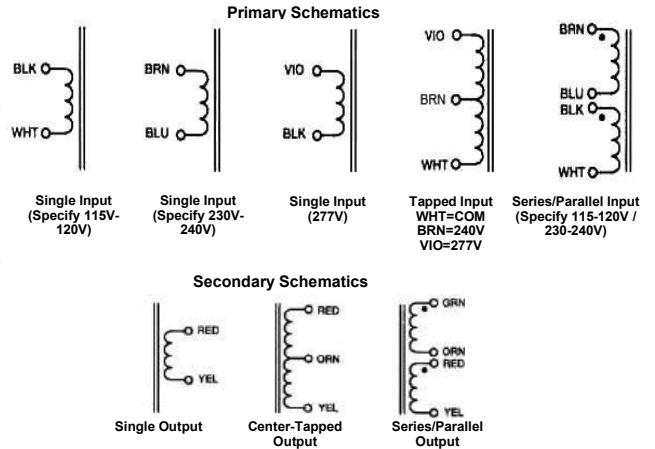
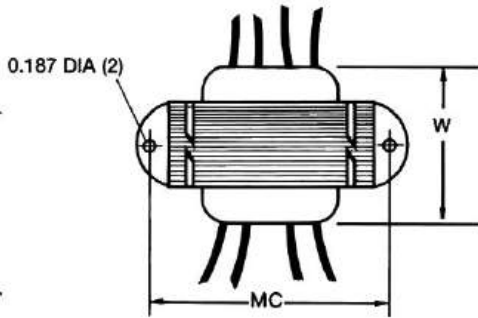
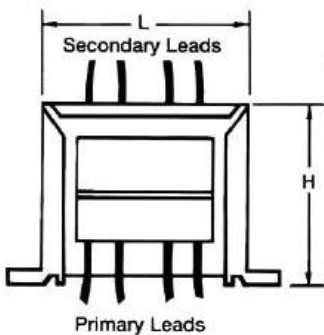
Flame Retardant Material

- Flame Retardant, UL 94V0 Rating
- High Efficiency
- 2.4VA to 100VA Power Rating
- Single or Dual Primary, 115-120V, 230-240V, 277V, or 115-120V / 230-240V
- 50/60Hz (Economy 60Hz-only Models Available)
- Center-tapped Secondary (Optional Single or Dual)
- Any Secondary Voltage from 5V to 120V in 1V Increments
- Insulation Material 130°C Standard (Optional 200°C)
- High Isolation, 2500 Vrms, 100% Tested
- Low Capacitive Coupling, no Electrostatic Shield Needed
- Color Coded Hook-up Wires, 6" Standard Length
- Optional Internal current or thermal protector



Agency Approvals:

- UL/cUL 5085-2 Recognized (File E47299)
- UL 1446 Recognized Insulation system (File E95662)
- UL/cUL 5085-3 Class 2 Recognized (File E43609), Only L002 (up to 24V)



VA Rating		Secondary Voltage	Dimensions (Inches)			
			L	W	H	MC
L002	2.4VA	Parallel from 5V to 60V Series, single & center-tapped from 10V to 120V	1.45	1.40	1.19	1.75
L006	6VA		1.70	1.50	1.38	2.00
L012	12VA		1.95	1.64	1.62	2.38
L020	20VA		2.32	1.60	1.94	2.81
L030	30VA		2.32	2.00	1.94	2.81
L040	40VA		2.70	1.95	2.25	3.12
L050	50VA		2.70	2.13	2.25	3.12
L056	56VA		2.70	2.13	2.25	3.12
L075	75VA		3.08	2.25	2.56	3.56
L100	100VA		3.08	2.50	2.56	3.56

Any application, Any requirement, Contact us for our Custom Designs

Partial Selection Guide (Standard Stock)

Part Numbers				Part Numbers			
115-120V Primary	115-120V/ 230-240 Primary	230-240V Primary	Secondary	115-120V Primary	115-120V/ 230-240 Primary	230-240V Primary	Secondary
L002-1-510*	L002-2-510*	L002-3-510*	10VCT @ 250mA	L002-1-520*	L002-2-520*	L002-3-520*	20VCT @ 120mA
L006-1-510	L006-2-510	L006-3-510	10VCT @ 600mA	L006-1-520	L006-2-520	L006-3-520	20VCT @ 300mA
L012-1-510	L012-2-510	L012-3-510	10VCT @ 1.2A	L012-1-520	L012-2-520	L012-3-520	20VCT @ 600mA
L020-1-510	L020-2-510	L020-3-510	10VCT @ 2.0A	L020-1-520	L020-2-520	L020-3-520	20VCT @ 1.0A
L030-1-510	L030-2-510	L030-3-510	10VCT @ 3.0A	L030-1-520	L030-2-520	L030-3-520	20VCT @ 1.50A
L040-1-510	L040-2-510	L040-3-510	10VCT @ 4.0A	L040-1-520	L040-2-520	L040-3-520	20VCT @ 2.0A
L050-1-510	L050-2-510	L050-3-510	10VCT @ 5.0A	L050-1-520	L050-2-520	L050-3-520	20VCT @ 2.5A
L056-1-510	L056-2-510	L056-3-510	10VCT @ 5.6A	L056-1-520	L056-2-520	L056-3-520	20VCT @ 2.8A
L075-1-510	L075-2-510	L075-3-510	10VCT @ 7.5A	L075-1-520	L075-2-520	L075-3-520	20VCT @ 3.8A
L100-1-510	L100-2-510	L100-3-510	10VCT @ 10A	L100-1-520	L100-2-520	L100-3-520	20VCT @ 5.0A
L002-1-512*	L002-2-512*	L002-3-512*	12.6VCT @ 200mA	L002-1-524*	L002-2-524*	L002-3-524*	24VCT @ 100mA
L006-1-512	L006-2-512	L006-3-512	12.6VCT @ 500mA	L006-1-524	L006-2-524	L006-3-524	24VCT @ 250mA
L012-1-512	L012-2-512	L012-3-512	12.6VCT @ 1.0A	L012-1-524	L012-2-524	L012-3-524	24VCT @ 500mA
L020-1-512	L020-2-512	L020-3-512	12.6VCT @ 1.6A	L020-1-524	L020-2-524	L020-3-524	24VCT @ 800mA
L030-1-512	L030-2-512	L030-3-512	12.6VCT @ 2.5A	L030-1-524	L030-2-524	L030-3-524	24VCT @ 1.25A
L040-1-512	L040-2-512	L040-3-512	12.6VCT @ 3.2A	L040-1-524	L040-2-524	L040-3-524	24VCT @ 1.6A
L050-1-512	L050-2-512	L050-3-512	12.6VCT @ 4.0A	L050-1-524	L050-2-524	L050-3-524	24VCT @ 2.0A
L056-1-512	L056-2-512	L056-3-512	12.6VCT @ 4.4A	L056-1-524	L056-2-524	L056-3-524	24VCT @ 2.3A
L075-1-512	L075-2-512	L075-3-512	12.6VCT @ 6.0A	L075-1-524	L075-2-524	L075-3-524	24VCT @ 3.1A
L100-1-512	L100-2-512	L100-3-512	12.6VCT @ 8.0A	L100-1-524	L100-2-524	L100-3-524	24VCT @ 4.0A
L002-1-516*	L002-2-516*	L002-3-516*	16VCT @ 150mA	L002-1-528	L002-2-528	L002-3-528	28VCT @ 85mA
L006-1-516	L006-2-516	L006-3-516	16VCT @ 400mA	L006-1-528	L006-2-528	L006-3-528	28VCT @ 200mA
L012-1-516	L012-2-516	L012-3-516	16VCT @ 800mA	L012-1-528	L012-2-528	L012-3-528	28VCT @ 420mA
L020-1-516	L020-2-516	L020-3-516	16VCT @ 1.25A	L020-1-528	L020-2-528	L020-3-528	28VCT @ 700mA
L030-1-516	L030-2-516	L030-3-516	16VCT @ 2.0A	L030-1-528	L030-2-528	L030-3-528	28VCT @ 1.0A
L040-1-516	L040-2-516	L040-3-516	16VCT @ 2.5A	L040-1-528	L040-2-528	L040-3-528	28VCT @ 1.4A
L050-1-516	L050-2-516	L050-3-516	16VCT @ 3.2A	L050-1-528	L050-2-528	L050-3-528	28VCT @ 1.8A
L056-1-516	L056-2-516	L056-3-516	16VCT @ 3.5A	L056-1-528	L056-2-528	L056-3-528	28VCT @ 2.0A
L075-1-516	L075-2-516	L075-3-516	16VCT @ 5.0A	L075-1-528	L075-2-528	L075-3-528	28VCT @ 2.7A
L100-1-516	L100-2-516	L100-3-516	16VCT @ 6.25A	L100-1-528	L100-2-528	L100-3-528	28VCT @ 3.6A

Models marked with * are also UL 5085-3 Class 2 recognized (see Page 22)

Any application, Any requirement, Contact us for our Custom Designs

Partial Selection Guide (Standard Stock)

Part Numbers				Part Numbers			
115-120V Primary	115-120V/ 230-240 Primary	230-240V Primary	Secondary	115-120V Primary	Dual Primary	230-240V Primary	Secondary
L002-1-536	L002-2-536	L002-3-536	36VCT @ 65mA	L002-1-556	L002-2-556	L002-3-556	56VCT @ 45mA
L006-1-536	L006-2-536	L006-3-536	36VCT @ 170mA	L006-1-556	L006-2-556	L006-3-556	56VCT @ 100mA
L012-1-536	L012-2-536	L012-3-536	36VCT @ 350mA	L012-1-556	L012-2-556	L012-3-556	56VCT @ 220mA
L020-1-536	L020-2-536	L020-3-536	36VCT @ 600mA	L020-1-556	L020-2-556	L020-3-556	56VCT @ 400mA
L030-1-536	L030-2-536	L030-3-536	36VCT @ 850mA	L030-1-556	L030-2-556	L030-3-556	56VCT @ 540mA
L040-1-536	L040-2-536	L040-3-536	36VCT @ 1.0A	L040-1-556	L040-2-556	L040-3-556	56VCT @ 700mA
L050-1-536	L050-2-536	L050-3-536	36VCT @ 1.4A	L050-1-556	L050-2-556	L050-3-556	56VCT @ 900mA
L056-1-536	L056-2-536	L056-3-536	36VCT @ 1.6A	L056-1-556	L056-2-556	L056-3-556	56VCT @ 1.0A
L075-1-536	L075-2-536	L075-3-536	36VCT @ 2.0A	L075-1-556	L075-2-556	L075-3-556	56VCT @ 1.3A
L100-1-536	L100-2-536	L100-3-536	36VCT @ 2.8A	L100-1-556	L100-2-556	L100-3-556	56VCT @ 1.8A
L002-1-548	L002-2-548	L002-3-548	48VCT @ 50mA	L002-1-620	L002-2-620	L002-3-620	120VCT @ 20mA
L006-1-548	L006-2-548	L006-3-548	48VCT @ 125mA	L006-1-620	L006-2-620	L006-3-620	120VCT @ 50mA
L012-1-548	L012-2-548	L012-3-548	48VCT @ 250mA	L012-1-620	L012-2-620	L012-3-620	120VCT @ 100mA
L020-1-548	L020-2-548	L020-3-548	48VCT @ 400mA	L020-1-620	L020-2-620	L020-3-620	120VCT @ 200mA
L030-1-548	L030-2-548	L030-3-548	48VCT @ 630mA	L030-1-620	L030-2-620	L030-3-620	120VCT @ 250mA
L040-1-548	L040-2-548	L040-3-548	48VCT @ 800mA	L040-1-620	L040-2-620	L040-3-620	120VCT @ 300mA
L050-1-548	L050-2-548	L050-3-548	48VCT @ 1.0A	L050-1-620	L050-2-620	L050-3-620	120VCT @ 400mA
L056-1-548	L056-2-548	L056-3-548	48VCT @ 1.2A	L056-1-620	L056-2-620	L056-3-620	120VCT @ 500mA
L075-1-548	L075-2-548	L075-3-548	48VCT @ 1.6A	L075-1-620	L075-2-620	L075-3-620	120VCT @ 600mA
L100-1-548	L100-2-548	L100-3-548	48VCT @ 2.0A	L100-1-620	L100-2-620	L100-3-620	120VCT @ 850mA

Over 75,000 additional Commander Class model configurations available!

Refer to the Part Numbering Scheme on the next page to **configure your own part** with following options:

- Primary: Single or Dual
- Secondary: 5V to 120V, in 1V increments
- Frequency: 50/60Hz, or economy 60Hz-only
- With or without current or thermal protector(s)
- Temperature Class: 130°C, or 200°C

Any application, Any requirement, Contact us for our Custom Designs

Chassis Mount - Lead Wires

High Performance

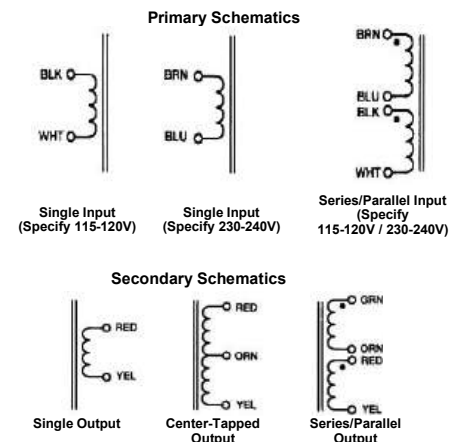
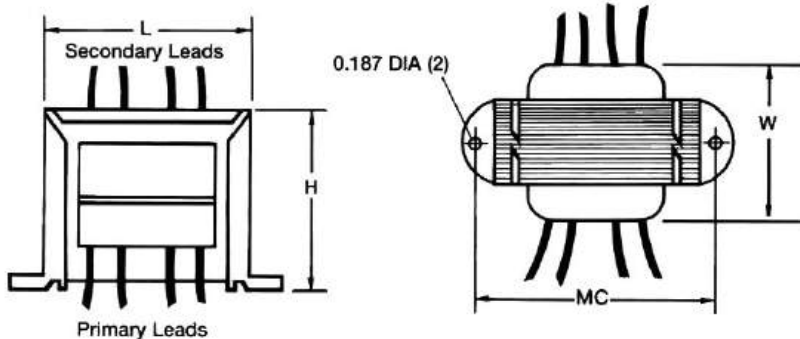
Series: Commander Class (L)

- Flame Retardant, UL 94V0 Rating
- High Efficiency
- 2.4VA Power Rating
- Single or Dual Primary, 115-120V, 230-240V, or 115-120V / 230-240V
- 50/60Hz (Economy 60Hz-only Models Available)
- Single Secondary (Optional Dual or Center-tapped)
- Any Secondary Voltage from 5V to 24V in 1V Increments
- Insulation Material 130°C Standard (Optional 200°C)
- High Isolation, 2500 Vrms, 100% Tested
- Low Capacitive Coupling, no Electrostatic Shield Needed
- Color Coded Hook-up Wires, 6" Standard Length
- Optional Internal current or thermal protector



Agency Approvals:

- UL/cUL 5085-2 Recognized (File E47299)
- UL 1446 Recognized Insulation system (File E95662)
- UL/cUL 5085-3 Class 2 Recognized (File E43609), L002 (up to 24V)



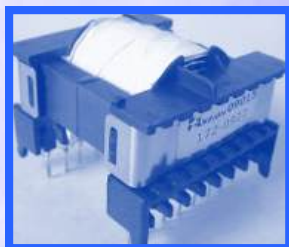
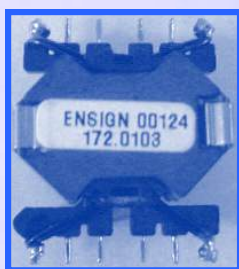
VA Rating		Output Voltage	Dimensions (Inches)			
			L	W	H	MC
L002	2.4VA	Up to 24V only	1.45	1.40	1.19	1.75

Partial Selection Guide (Standard Stock)

Part Number			
115-120V Primary	115-120V/230-240 Primary	230-240V Primary	Secondary
L002-1-710	L002-2-710	L002-3-710	10V @ 250mA
L002-1-712	L002-2-712	L002-3-712	12.6V @ 200mA
L002-1-716	L002-2-716	L002-3-716	16V @ 150mA
L002-1-720	L002-2-720	L002-3-720	20V @ 120mA
L002-1-724	L002-2-724	L002-3-724	24V @ 100mA

Any application, Any requirement, Contact us for our Custom Designs

Let our
Reliability
enhance your Reputation



High Frequency Transformers

- Up to 500 KHz
- All popular core shapes
- Can design to meet domestic & international agency requirements
- Through-hole and surface mount

Any application, Any requirement, Contact us for our Custom Designs

POWERVOLT GROUP

International Series Printed Circuit Mount

High Performance

Series: Admiral Class (IP)

Examples:

IP056-2-824A = 56VA, Dual (series/parallel) Primary, 50/60Hz, with 130°C thermal cutoff, Single 24V Secondary



Printed Circuit Mount, International	IPXXX	-X	XXX	X
Rating:				
IP002 = 2.5VA				
IP005 = 5VA				
IP010 = 10VA				
IP020 = 20VA				
IP030 = 30VA				
IP056 = 56VA				
Primary Voltages:				
-1 = 115-120V				
-2 = 115-120V / 230-240V Dual (series / parallel)				
-3 = 230-240V				
-4 = 100/110/120, unavailable on 2.5, 5, 10VA models				
-6 = 200/220/240, unavailable on 2.5, 5, 10VA models				
-7 = 120/220/240, unavailable on 2.5, 5, 10VA models				
Secondary Voltages (10 through 240, in 1V Increments):				
010 through 240 = Dual Secondary (series / parallel) Number represents the voltage of the series connection. <i>Example: "024" = 12V (parallel) / 24V (series)</i>				
510 through 740 = Center-tapped Secondary Number represents the total voltage plus 500. <i>Example: "524" = 24V with center-tap (12V on each side)</i>				
810 through 1040 = Single Secondary Number represents the voltage plus 800. <i>Example: "824" = 24V</i>				
Optional internal protector:				
Blank = No internal protector				
A through Z = Over-current and/or over-temperature protection (Contact for list of available protectors)				

Any application, Any requirement, Contact us for our Custom Designs

International Series Printed Circuit Mount - Standard Profile

High Performance

Series: Admiral Class (IP)

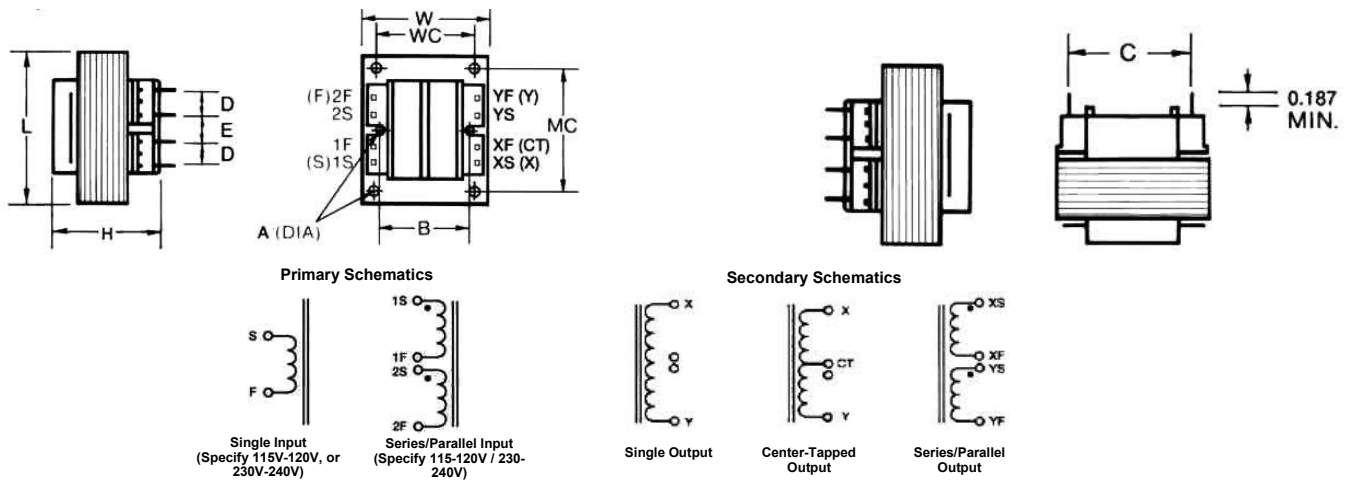
Flame Retardant Material

- Flame Retardant, UL 94V0 Rating
- High Efficiency
- 2.5VA to 56VA Power Rating
- Single or Dual Primary, 115V-120V, 230-240V, or 115-120V / 230-240V (Optional 120 with taps, 240 with taps, or 120/240 with taps)
- 50/60Hz (Economy 60Hz-only Models Available)
- Dual Secondary (Optional Single or Center-tapped)
- Any Secondary Voltage from 5V to 240V in 1V Increments
- Insulation Material 130°C Standard (Optional 200°C)
- Optional Internal Current or Thermal Protector
- High Isolation, 4000 Vrms, 100% Tested



Agency Approvals:

- UL/cUL 5085-2 Recognized (File E47299)
- IEC/EN60950 Licensed (VDE 1901900-3336-0002)
- UL 1446 Recognized Insulation system (File E95662)



VA Rating	Secondary Voltage	Dimensions (Inches)											
		L	W	H	A	B	C	D	E	MC	WC	Pins	
IP002	2.5VA	Parallel from 5V to 120V Series, single & center-tapped from 10V to 240V	1.62	1.31	1.12	0.125*	1.06	1.00	0.20	0.25	-	-	0.025 Sq.
IP005	5VA		1.62	1.31	1.36	0.125*	1.06	1.00	0.20	0.40	-	-	0.025 Sq.
IP010	10VA		1.87	1.56	1.36	0.150*	1.25	1.13	0.20	0.40	-	-	0.036 Sq.
IP020	20VA		2.25	1.87	1.64	0.156*	1.50	1.44	0.40	0.40	-	-	0.036 Sq.
IP030	30VA		2.62	2.19	1.57	0.156**	-	1.65	0.55	0.275	2.18	1.75	0.045 Sq.
IP056	56VA		3.00	2.50	1.82	0.218**	-	1.87	0.60	0.30	2.50	2.00	0.045 Sq.

* = 2 holes, ** = 4 holes

Any application, Any requirement, Contact us for our Custom Designs

Part Numbers			VA	Series Secondary	Parallel Secondary
115-120V Primary	115-120V/230-240 Primary	230-240V Primary			
IP002-1-010	IP002-2-010	IP002-3-010	2.5	10VCT @ 0.25A	5V @ 0.50A
IP005-1-010	IP005-2-010	IP005-3-010	5.0	10VCT @ 0.50A	5V @ 1.0A
IP010-1-010	IP010-2-010	IP010-3-010	10.0	10VCT @ 1.0A	5V @ 2.0A
IP002-1-012	IP002-2-012	IP002-3-012	2.5	12.6VCT @ 0.20A	6.3V @ 0.40A
IP005-1-012	IP005-2-012	IP005-3-012	5.0	12.6VCT @ 0.40A	6.3V @ 0.80A
IP010-1-012	IP010-2-012	IP010-3-012	10.0	12.6VCT @ 0.80A	6.3V @ 1.60A
IP002-1-016	IP002-2-016	IP002-3-016	2.5	16VCT @ 0.15A	8V @ 0.30A
IP005-1-016	IP005-2-016	IP005-3-016	5.0	16VCT @ 0.31A	8V @ 0.62A
IP010-1-016	IP010-2-016	IP010-3-016	10.0	16VCT @ 0.62A	8V @ 1.25A
IP002-1-020	IP002-2-020	IP002-3-020	2.5	20VCT @ 0.12A	10V @ 0.24A
IP005-1-020	IP005-2-020	IP005-3-020	5.0	20VCT @ 0.25A	10V @ 0.50A
IP010-1-020	IP010-2-020	IP010-3-020	10.0	20VCT @ 0.50A	10V @ 1.0A
IP002-1-024	IP002-2-024	IP002-3-024	2.5	24VCT @ 0.10A	12V @ 0.20A
IP005-1-024	IP005-2-024	IP005-3-024	5.0	24VCT @ 0.21A	12V @ 0.42A
IP010-1-024	IP010-2-024	IP010-3-024	10.0	24VCT @ 0.42A	12V @ 0.84A
IP002-1-028	IP002-2-028	IP002-3-028	2.5	28VCT @ 0.09A	14V @ 0.18A
IP005-1-028	IP005-2-028	IP005-3-028	5.0	28VCT @ 0.18A	14V @ 0.36A
IP010-1-028	IP010-2-028	IP010-3-028	10.0	28VCT @ 0.36A	14V @ 0.72A
IP002-1-036	IP002-2-036	IP002-3-036	2.5	36VCT @ 0.07A	18V @ 0.14A
IP005-1-036	IP005-2-036	IP005-3-036	5.0	36VCT @ 0.14A	18V @ 0.28A
IP010-1-036	IP010-2-036	IP010-3-036	10.0	36VCT @ 0.28A	18V @ 0.56A
IP020-1-010	IP020-2-010	IP020-3-010	20	10VCT @ 2.0A	5V @ 4.0A
IP030-1-010	IP030-2-010	IP030-3-010	30	10VCT @ 3.0A	5V @ 6.0A
IP056-1-010	IP056-2-010	IP056-3-010	56	10VCT @ 5.6A	5V @ 11.2A
IP020-1-012	IP020-2-012	IP020-3-012	20	12.6VCT @ 1.6A	6.3V @ 3.2A
IP030-1-012	IP030-2-012	IP030-3-012	30	12.6VCT @ 2.4A	6.3V @ 4.8A
IP056-1-012	IP056-2-012	IP056-3-012	56	12.6VCT @ 4.4A	6.3V @ 8.8A
IP020-1-016	IP020-2-016	IP020-3-016	20	16VCT @ 1.25A	8V @ 2.5A
IP030-1-016	IP030-2-016	IP030-3-016	30	16VCT @ 1.9A	8V @ 3.8A
IP056-1-016	IP056-2-016	IP056-3-016	56	16VCT @ 3.5A	8V @ 7.0A
IP020-1-020	IP020-2-020	IP020-3-020	20	20VCT @ 1.0A	10V @ 2.0A
IP030-1-020X	IP030-2-020	IP030-3-020	30	20VCT @ 1.5A	10V @ 3.0A
IP056-1-020	IP056-2-020	IP056-3-020	56	20VCT @ 2.8A	10V @ 5.6A
IP020-1-024	IP020-2-024	IP020-3-024	20	24VCT @ 0.83A	12V @ 1.66A
IP030-1-024	IP030-2-024	IP030-3-024	30	24VCT @ 1.25A	12V @ 2.5A
IP056-1-024	IP056-2-024	IP056-3-024	56	24VCT @ 2.33A	12V @ 4.66A
IP020-1-028	IP020-2-028	IP020-3-028	20	28VCT @ 0.72A	14V @ 1.44A
IP030-1-028	IP030-2-028	IP030-3-028	30	28VCT @ 1.06A	14V @ 2.12A
IP056-1-028	IP056-2-028	IP056-3-028	56	28VCT @ 2.0A	14V @ 4.0A
IP020-1-036	IP020-2-036	IP020-3-036	20	36VCT @ 0.56A	18V @ 1.12A
IP030-1-036	IP030-2-036	IP030-3-036	30	36VCT @ 0.82A	18V @ 1.64A
IP056-1-036	IP056-2-036	IP056-3-036	56	36VCT @ 1.56A	18V @ 3.12A

Over 90,000 additional Admiral Class (Printed Circuit) model configurations available!

Refer to the Part Numbering Scheme on the next page to **configure your own part** with following options:

- Primary: Single, Dual, or Tapped
- Frequency: 50/60Hz, or economy 60Hz-only
- With or without current or thermal protector(s)
- Temperature Class: 130°C, or 200°C

Any application, Any requirement, Contact us for our Custom Designs

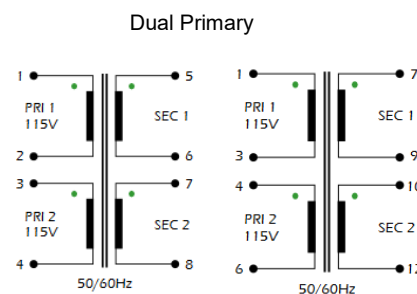
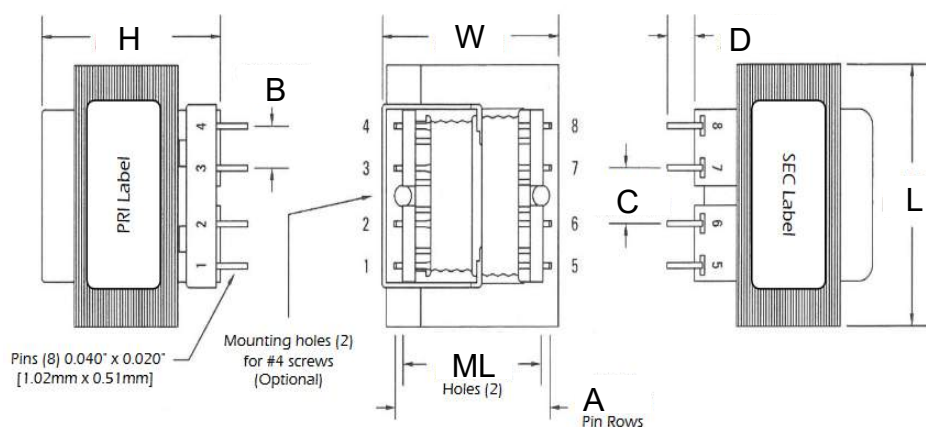
International Series Printed Circuit Mount - Standard Profile Shrouded Primary Series: SPW

- Flame Retardant - UL 94V0 Rating
- Power Rating 2.5VA to 20VA
- Primary, 115/230V
- Frequency 50/60HZ
- Secondary Voltage 5 - 36V
- High Isolation – 4500 Vrms
- Insulation Material (130°C) Standard
- Coated to resist dust and moisture



Agency Approvals:

- UL/cUL UL 5085-3 Class 2 or Class 3 for U.S. & Canada (File E49606) or CSA File 063944
- UL 1446 Recognized Class B (130°C), Insulation File No. E95662



● Indicates Like Polarity
Primaries and Secondaries are designed to be used simultaneously. That is, they must be used either series or parallel connected (as one winding). Same applies to secondaries also.

VA Rating	Dimensions (Inches)							
	L	W	H	ML	A	B	C	D
2.5	1.630	1.440	1.130	1.000	1.062	0.200	0.250	0.187
5.0	1.630	1.440	1.375	1.000	1.062	0.200	0.400	0.187
10.0	1.880	1.590	1.375	1.140	1.250	0.200	0.400	0.187
12.0	1.880	1.600	1.630	1.250	1.410	0.300	0.400	0.250
20.0	2.250	1.875	1.630	1.460	1.500	0.400	-	0.187

Any application, Any requirement, Contact us for our Custom Designs

Partial Selection Guide

VA	Part Number			Secondary			
	115/230V Primary	Series	Parallel	115/230V Primary	Series	Parallel	
2.5	SPW-1000	10VCT @ 250mA	5V @ 500mA	12.0	SPW-3600	10VCT @ 1.2A	5V @ 2.4A
	SPW-1001	12.6VCT @ 200mA	6.3V @ 400mA		SPW-3601	12.6VCT @ 1.0A	6.3V @ 2.0A
	SPW-1002	16VCT @ 150mA	8V @ 300mA		SPW-3602	16VCT @ 800mA	8V @ 1.6A
	SPW-1003	20VCT @ 120mA	10V @ 240mA		SPW-3603	20VCT @ 600mA	10V @ 1.2A
	SPW-1004	24VCT @ 100mA	12V @ 200mA		SPW-3604	24VCT @ 500mA	12V @ 1.0A
	SPW-1005	28VCT @ 90mA	14V @ 180mA		SPW-3605	28VCT @ 425mA	14V @ 850mA
5.0	SPW-1006	36VCT @ 70mA	18V @ 140mA	SPW-3606	36VCT @ 350mA	18V @ 700mA	
	SPW-1100	10VCT @ 500mA	5V @ 1.0A	SPW-3607	48VCT @ 250mA	24V @ 500mA	
	SPW-1101	12.6VCT @ 400mA	6.3V @ 800mA	SPW-3608	56VCT @ 220mA	28V @ 440mA	
	SPW-1102	16VCT @ 310mA	8V @ 620mA	SPW-3609+	120VCT @ 100mA	60V @ 200mA	
	SPW-1103	20VCT @ 250mA	10V @ 500mA	SPW-1300	10VCT @ 2.0A	5V @ 4.0A	
	SPW-1104	24VCT @ 210mA	12V @ 420mA	SPW-1301	12.6VCT @ 1.6A	6.3V @ 3.2A	
10.0	SPW-1105	28VCT @ 180mA	14V @ 360mA	SPW-1302	16VCT @ 1.25A	8V @ 2.5A	
	SPW-1106	36VCT @ 140mA	18V @ 280mA	SPW-1303	20VCT @ 1.0A	10V @ 2.0A	
	SPW-1200	10VCT @ 1.0A	5V @ 2.0A	SPW-1304	24VCT @ 830mA	12V @ 1.66A	
	SPW-1201	12.6VCT @ 800mA	6.3V @ 1.6A	SPW-1305	28VCT @ 720mA	14V @ 1.44A	
	SPW-1202	16VCT @ 620mA	8V @ 1.25A	SPW-1306	36VCT @ 560mA	18V @ 1.12A	
	SPW-1203	20VCT @ 500mA	10V @ 1.0A				
	SPW-1204	24VCT @ 420mA	12V @ 840mA				
	SPW-1205	28VCT @ 360mA	14V @ 720mA				
	SPW-1206	36VCT @ 280mA	18V @ 560mA				

Any application, Any requirement, Contact us for our Custom Designs

International Series Printed Circuit Mount - Standard Profile

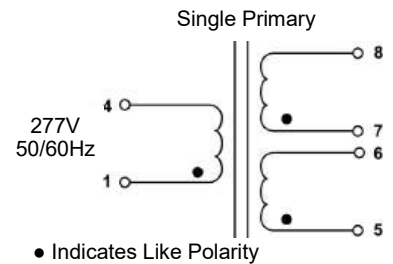
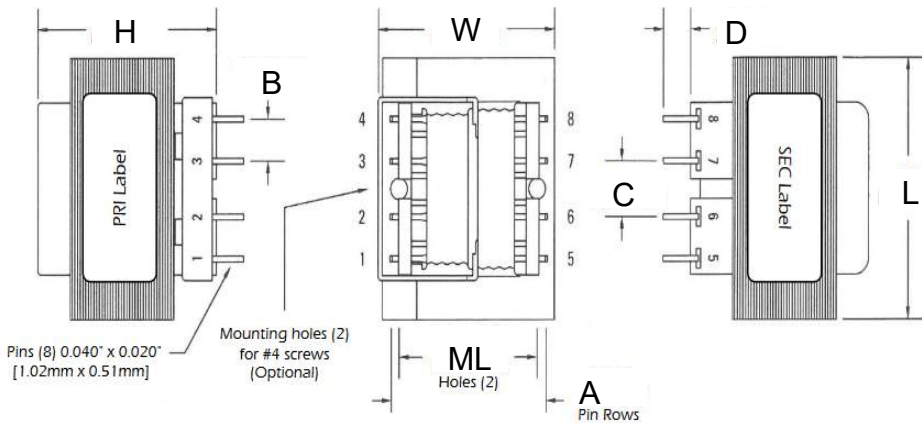
**277V Input
Series: SPHV**

- Power Rating 2.5VA to 20VA
- Primary, 277V
- Frequency 50/60HZ
- Secondary Voltage 10 - 120V
- High Isolation – 4000 Vrms
- Insulation Material (130°C) Standard
- Coated to resist dust and moisture



Agency Approvals:

- UL 1446 Recognized Class B (130°C)
Insulation File No. E95662



Primaries and Secondaries are designed to be used simultaneously. That is, they must be used either series or parallel connected (as one winding). Same applies to secondaries also.

VA Rating	Dimensions (Inches)							
	L	W	H	ML	A	B	C	D
2.5	1.630	1.440	1.130	1.000	1.062	0.200	0.250	0.187
5.0	1.630	1.440	1.375	1.000	1.062	0.200	0.400	0.187
10.0	1.880	1.590	1.375	1.140	1.250	0.200	0.400	0.187
20.0	2.250	1.875	1.630	1.460	1.500	0.400	-	0.187

Any application, Any requirement, Contact us for our Custom Designs

Partial Selection Guide

VA	Part Number			Secondary			
	277V Primary	Series	Parallel	277V Primary	Series	Parallel	
2.5	SPHV-277-1000	10VCT @ 0.250A	5V @ 0.500A	10.0	SPHV-277-1200	10VCT @ 1.000A	5V @ 2.000A
	SPHV-277-1001	12.6VCT @ 0.200A	6.3V @ 0.400A		SPHV-277-1201	12.6VCT @ 0.800A	6.3V @ 1.600A
	SPHV-277-1002	16VCT @ 0.150A	8V @ 0.300A		SPHV-277-1202	16VCT @ 0.625A	8V @ 1.250A
	SPHV-277-1003	20VCT @ 0.120A	10V @ 0.240A		SPHV-277-1203	20VCT @ 0.500A	10V @ 1.000A
	SPHV-277-1004	24VCT @ 0.100A	12V @ 0.200A		SPHV-277-1204	24VCT @ 0.420A	12V @ 0.840A
	SPHV-277-1005	28VCT @ 0.090A	14V @ 0.180A		SPHV-277-1205	28VCT @ 0.360A	14V @ 0.720A
	SPHV-277-1006	36VCT @ 0.070A	18V @ 0.140A		SPHV-277-1206	36VCT @ 0.280A	18V @ 0.560A
	SPHV-277-1007	48VCT @ 0.052A	24V @ 0.104A		SPHV-277-1207	48VCT @ 0.210A	24V @ 0.420A
	SPHV-277-1008	56VCT @ 0.045A	28V @ 0.090A		SPHV-277-1208	56VCT @ 0.180A	28V @ 0.360A
5.0	SPHV-277-1009	120VCT @ 0.021A	60V @ 0.042A	20.0	SPHV-277-1209	120VCT @ 0.084A	60V @ 0.168A
	SPHV-277-1100	10VCT @ 0.500A	5V @ 1.000A		SPHV-277-1300	10VCT @ 2.000A	5V @ 4.000A
	SPHV-277-1101	12.6VCT @ 0.400A	6.3V @ 0.800A		SPHV-277-1301	12.6VCT @ 1.600A	6.3V @ 3.200A
	SPHV-277-1102	16VCT @ 0.310A	8V @ 0.620A		SPHV-277-1302	16VCT @ 1.250A	8V @ 2.500A
	SPHV-277-1103	20VCT @ 0.250A	10V @ 0.500A		SPHV-277-1303	20VCT @ 1.000A	10V @ 2.000A
	SPHV-277-1104	24VCT @ 0.210A	12V @ 0.420A		SPHV-277-1304	24VCT @ 0.830A	12V @ 1.660A
	SPHV-277-1105	28VCT @ 0.180A	14V @ 0.360A		SPHV-277-1305	28VCT @ 0.720A	14V @ 1.440A
	SPHV-277-1106	36VCT @ 0.140A	18V @ 0.280A		SPHV-277-1306	36VCT @ 0.560A	18V @ 1.120A
	SPHV-277-1107	48VCT @ 0.105A	24V @ 0.210A		SPHV-277-1307	48VCT @ 0.420A	24V @ 0.840A
SPHV-277-1108	56VCT @ 0.090A	28V @ 0.180A	SPHV-277-1308	56VCT @ 0.355A	28V @ 0.710A		
SPHV-277-1109	120VCT @ 0.042A	60V @ 0.084A	SPHV-277-1309	120VCT @ 0.170A	60V @ 0.340A		

Any application, Any requirement, Contact us for our Custom Designs

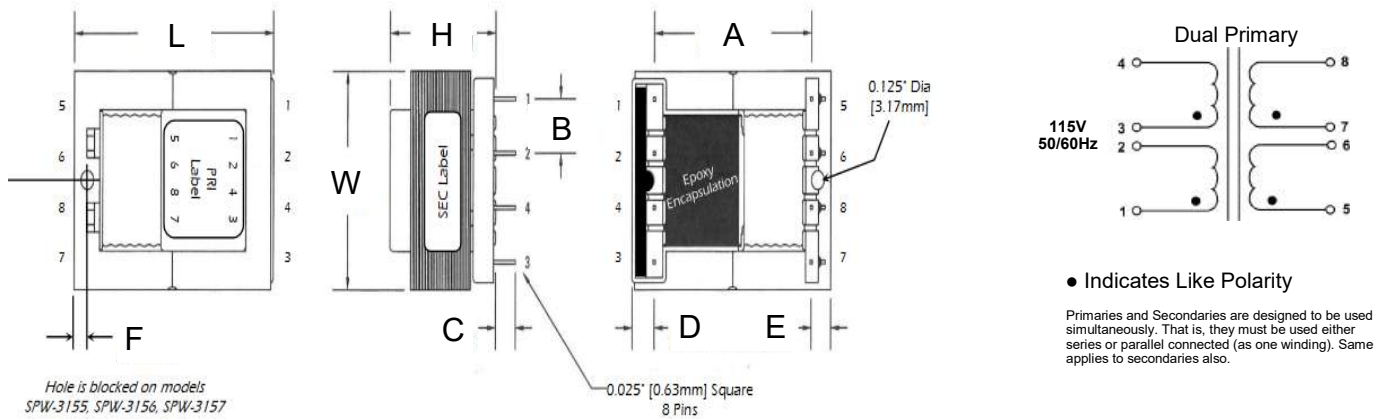
**International Series Printed Circuit Mount - Low Profile
Econoline
Series: SPW**

- Flame Retardant - UL 94V0 Rating
- Power Rating 2.5VA to 9VA
- Primary, 115/230V
- Frequency 50/60HZ
- Secondary Voltage 10 - 230V
- High Isolation – 4000 Vrms
- Insulation Material (130°C) Standard
- Coated to resist dust and moisture



Agency Approvals:

- UL/cUL UL 5085-3 Class 2 or Class 3 for U.S. & Canada (File E49606) or CSA File 063944
- UL 1446 Recognized Class B (130°C), Insulation File No. E95662



VA Rating	Dimensions (Inches)								
	L	W	H	A	B	C	D	E	F
2.5	2.030	1.510	0.720	1.600	0.375	0.200	0.230	0.200	0.125
6.0	2.030	1.510	0.895	1.600	0.375	0.200	0.230	0.200	0.125
9.0	2.030	1.510	1.080	1.600	0.375	0.200	0.230	0.200	0.125

Any application, Any requirement, Contact us for our Custom Designs

Partial Selection Guide

VA	Secondary			VA	Secondary		
	115/230V Primary	Series	Parallel		115V Primary	Series	Parallel
2.5	SPW-3050	10VCT @ 250mA	5V @ 500mA	9.0	SPW-3150	10VCT @ 900mA	5V @ 1.8A
	SPW-3051	12.6VCT @ 200mA	6.3V @ 400mA		SPW-3151	12.6VCT @ 715mA	6.3V @ 1.43A
	SPW-3052	16VCT @ 150mA	8V @ 300 mA		SPW-3152	16VCT @ 562mA	8V @ 1.125A
	SPW-3053	20VCT @ 125mA	10V @ 250mA		SPW-3153	20VCT @ 450mA	10V @ 900mA
	SPW-3054	24VCT @ 100mA	12V @ 200mA		SPW-3154	24VCT @ 375mA	12V @ 750mA
	SPW-3055	34VCT @ 75mA	17V @ 150mA		SPW-3155	34VCT @ 265mA	17V @ 530mA
	SPW-3056	40VCT @ 60mA	20V @ 120mA		SPW-3156	40VCT @ 225mA	20V @ 450mA
	SPW-3057	56VCT @ 45mA	28V @ 90mA		SPW-3157	56VCT @ 161mA	28V @ 322mA
	SPW-3058+	88VCT @ 28mA	44V @ 56mA		SPW-3158+	88VCT @ 102mA	44V @ 204mA
	SPW-3059+	120VCT @ 20mA	60V @ 40mA		SPW-3159+	120VCT @ 75mA	60V @ 150mA
	SPW-3060+	230VCT @ 10mA	115V @ 20mA		SPW-3160+	230VCT @ 39mA	115V @ 78mA
6.0	SPW-3061	30VCT @ 85mA	15V @ 170mA	SPW-3161	30VCT @ 300mA	15V @ 600mA	
	SPW-3100	10VCT @ 600mA	5V @ 1.2A				
	SPW-3101	12.6VCT @ 450mA	6.3V @ 900mA				
	SPW-3102	16VCT @ 350mA	8V @ 700mA				
	SPW-3103	20VCT @ 300mA	10V @ 600mA				
	SPW-3104	24VCT @ 250mA	12V @ 500mA				
	SPW-3105	34VCT @ 170mA	17V @ 340mA				
	SPW-3106	40VCT @ 150mA	20V @ 300mA				
	SPW-3107	56VCT @ 100mA	28V @ 200mA				
	SPW-3108+	88VCT @ 65mA	44V @ 130mA				
	SPW-3109+	120VCT @ 50mA	60V @ 100mA				
SPW-3110+	230VCT @ 25mA	115V @ 50mA					
SPW-3111	30VCT @ 200mA	15V @ 400mA					

Any application, Any requirement, Contact us for our Custom Designs

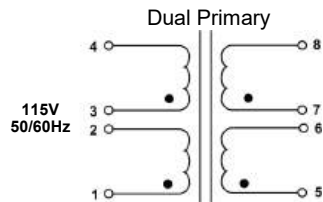
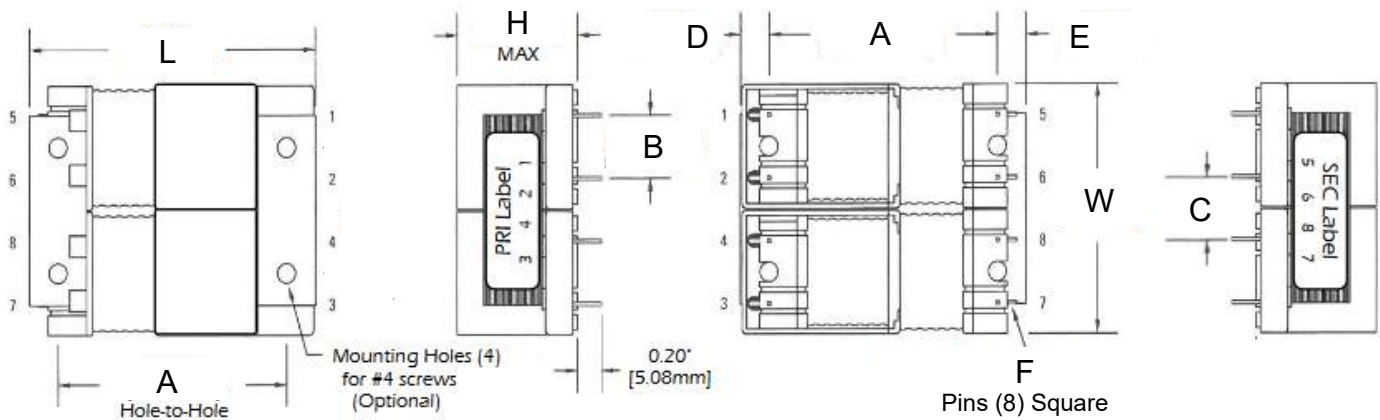
**International Series Printed Circuit Mount - Low Profile
Series: SPW**

- Flame Retardant - UL 94V0 Rating
- Power Rating 6VA to 24VA
- Primary, 115/230V
- Frequency 50/60HZ
- Secondary Voltage 10 - 230V
- High Isolation – 4000 Vrms
- Insulation Material (130°C) Standard
- Coated to resist dust and moisture



Agency Approvals:

- UL/cUL UL 5085-3 Class 2 or Class 3 for U.S. & Canada (File E49606)
- UL 1446 Recognized Class B (130°C) OBJY2, Insulation File No. E95662



• Indicates Like Polarity
 Primaries and Secondaries are designed to be used simultaneously. That is, they must be used either series or parallel connected (as one winding). Same applies to secondaries also.

VA Rating	Dimensions (Inches)								
	L	W	H	A	B	C	D	E	F
6.0	1.950	1.560	0.890	1.600	0.375	0.375	0.210	0.140	0.025
12.0	2.500	2.000	1.066	2.000	0.500	0.500	0.250	0.250	0.028
24.0	2.880	2.250	1.300	2.410	0.600	0.530	-	-	0.040

Any application, Any requirement, Contact us for our Custom Designs

Partial Selection Guide

VA	Part Number			Secondary		
	115/230V Primary	Series	Parallel	115V Primary	Series	Parallel
6.0	SPW-2100	10VCT @ 600mA	5V @ 1.2A	SPW-2400	10VCT @ 2.4 A	5V @ 4.80A
	SPW-2101	12.6VCT @ 450mA	6.3V @ 900mA	SPW-2401	12.6VCT @ 1.9A	6.3V @ 3.80A
	SPW-2102	16VCT @ 350mA	8V @ 700mA	SPW-2402	16VCT @ 1.5A	8V @ 3.0A
	SPW-2103	20VCT @ 300mA	10V @ 600mA	SPW-2403	20VCT @ 1.2A	10V @ 2.4A
	SPW-2104	24VCT @ 250mA	12V @ 500mA	SPW-2404	24VCT @ 1.0A	12V @ 2.0A
	SPW-2105	34VCT @ 170mA	17V @ 340mA	SPW-2405	34VCT @ 700 mA	17V @ 1.40A
	SPW-2106	40VCT @ 150mA	20V @ 300mA	SPW-2406	40VCT @ 600 mA	20V @ 1.2A
	SPW-2107	56VCT @ 100mA	28V @ 200mA	SPW-2407	56VCT @ 425 mA	28V @ 850mA
	SPW-2108	88VCT @ 65mA	44V @ 130mA	SPW-2408+	88VCT @ 270 mA	44V @ 540mA
	SPW-2109	120VCT @ 50mA	60V @ 100mA	SPW-2409+	120VCT @ 200 mA	60V @ 400mA
	SPW-2110	230VCT @ 25mA	115V @ 50mA	SPW-2410+	230VCT @ 100 mA	115V @ 200mA
12.0	SPW-2111	30VCT @ 200mA	15V @ 400mA	SPW-2411	30VCT @ 800 mA	15V @ 1.6A
	SPW-2300	10VCT @ 1.2A	5V @ 2.4A			
	SPW-2301	12.6VCT @ 900mA	6.3V @ 1.8A			
	SPW-2302	16VCT @ 700mA	8V @ 1.4A			
	SPW-2303	20VCT @ 600mA	10V @ 1.2A			
	SPW-2304	24VCT @ 500mA	12V @ 1.0A			
	SPW-2305	34VCT @ 340mA	17V @ 680mA			
	SPW-2306	40VCT @ 300mA	20V @ 600mA			
	SPW-2307	56VCT @ 200mA	28V @ 400mA			
	SPW-2308+	88VCT @ 130mA	44V @ 260mA			
	SPW-2309+	120VCT @ 100mA	60V @ 200mA			
SPW-2310+	230VCT @ 50mA	115V @ 100mA				
SPW-2311	30VCT @ 400mA	15V @ 800mA				

Any application, Any requirement, Contact us for our Custom Designs

Lighting the way.



Lighting Transformers

- 50 Watt or 75 Watt
- Designed specifically for 12V halogen lamps
- UL/cUL/CSA approved
- Insulation class 130°C or 200°C
- Several mounting styles available



Any application, Any requirement, Contact us for our Custom Designs

POWERVOLT GROUP

International Series Chassis Mount
High Performance
Series: Admiral Class (IT)



Examples:
 IT025-2-824A = 25VA, Dual (series/parallel) Primary, 50/60Hz, with 130°C thermal cutoff, Single 24V Secondary

Chassis Mount with Terminals, International	ITXXX	-X	XXX	X
<p>Rating:</p> <p>IT025 = 25VA</p> <p>IT043 = 43VA</p> <p>IT080 = 80VA</p> <p>IT130 = 130VA</p> <p>IT175 = 175VA</p>				
<p>Primary Voltages:</p> <p>-1 = 115-120V</p> <p>-2 = 115-120V / 230-240V Dual (series / parallel)</p> <p>-3 = 230-240V</p> <p>-4 = 100/110/120</p> <p>-6 = 200/220/240</p> <p>-7 = 120/220/240</p> <p>-8 = 100/120/200/220/240, unavailable on 25 & 43 VA models</p>				
<p>Secondary Voltages (10 through 240, in 1V increments):</p> <p>010 through 240 = Dual Secondary (series / parallel) Number represents the voltage of the series connection. <i>Example: "024" = 12V (parallel) / 24V (series)</i></p> <p>510 through 740 = Center-tapped Secondary Number represents the total voltage plus 500. <i>Example: "524" = 24V with center-tap (12V on each side)</i></p> <p>810 through 1040 = Single Secondary Number represents the voltage plus 800. <i>Example: "824" = 24V</i></p>				
<p>Optional Internal Protector:</p> <p>Blank = No internal protector</p> <p>A through Z = Over-current and/or over-temperature protection (Contact for list of available protectors)</p>				

Any application, Any requirement, Contact us for our Custom Designs

International Series Chassis Mount - Quick Connect

High Performance

Series: Admiral Class (IT)

- Flame Retardant, UL 94V0 Rating
- High Efficiency
- 25VA to 175VA Power Rating
- Single or Dual Primary, 115-120V, 230-240V, or 115-120V / 230-240V (Optional 120 with taps, 240 with taps, or 120/240 with taps)
- 50/60Hz (Economy 60Hz-only Models Available)
- Dual Secondary (Optional Single or Center-tapped)
- Any Secondary Voltage from 5V to 240V in 1V Increments
- Insulation Material 130°C Standard (Optional 200°C)
- Optional Internal Current or Thermal Protector
- High Isolation, 4000 Vrms, 100% Tested
- Quick-Connect Terminal with Slots for Optional Soldering

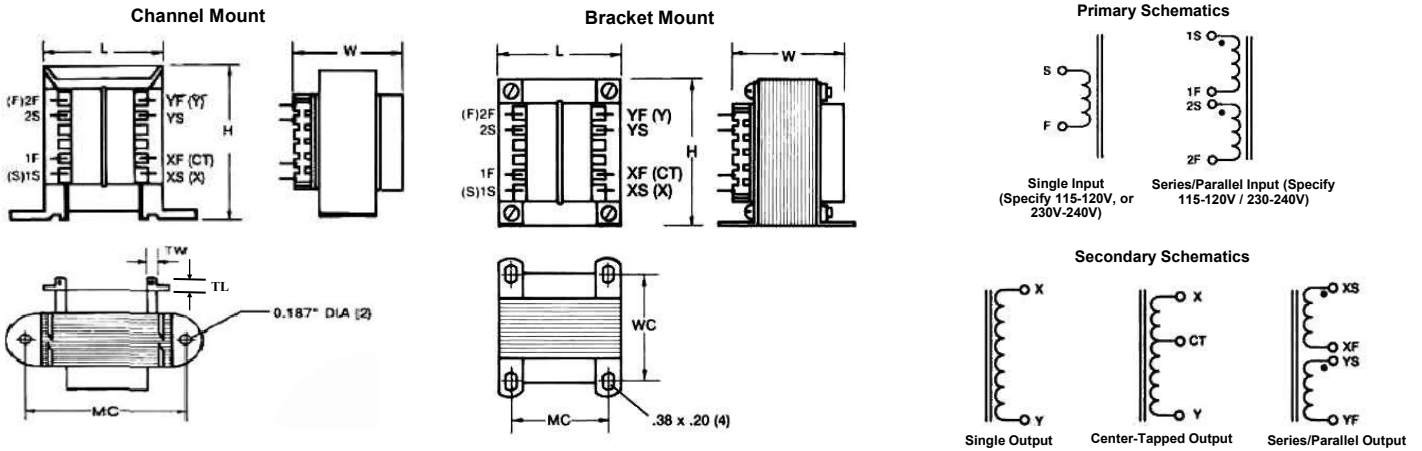
Ener-G-Star™
Energy Efficient Transformers

Flame Retardant Material



Agency Approvals:

- UL/cUL 5085-2 Recognized (File E47299)
- IEC/EN60950 Licensed (VDE 1901900-3336-0002)
- UL 1446 Recognized Insulation system (File E95662)



VA Rating		Secondary Voltage	Dimensions (Inches)							
			L	W	H	Mounting	MC	WC	TL	TW
IT025	25VA	Parallel from 5V to 120V Series, single & center-tapped from 10V to 240V	1.95	2.13	2.31	Channel	2.38	-	0.312	0.187 x 0.020
IT043	43VA		2.26	2.13	2.68	Channel	2.81	-	0.330	0.187 x 0.020
IT080	80VA		2.50	2.50	3.00	Brackets	2.00	2.25	0.330	0.187 x 0.020
IT130	130VA		2.81	3.08	3.38	Brackets	2.25	2.50	0.395	0.250 x 0.032
IT175	175VA		3.12	3.12	3.75	Brackets	2.50	2.50	0.395	0.250 x 0.032

Any application, Any requirement, Contact us for our Custom Designs

Part Numbers					
115-120V Primary	115-120V/230-240 Primary	230-240V Primary	VA	Series Secondary	Parallel Secondary
IT025-1-010	IT025-2-010	IT025-3-010	25	10VCT @ 2.5A	5V @ 5.0A
IT043-1-010	IT043-2-010	IT043-3-010	43	10VCT @ 4.3A	5V @ 8.6A
IT080-1-010	IT080-2-010	IT080-3-010	80	10VCT @ 8.0A	5V @ 16.0A
IT130-1-010	IT130-2-010	IT130-3-010	130	10VCT @ 13.0A	5V @ 26.0A
IT175-1-010	IT175-2-010	IT175-3-010	175	10VCT @ 17.5A	5V @ 35.0A
IT025-1-012	IT025-2-012	IT025-3-012	25	12.6VCT @ 2.0A	6.3V @ 4.0A
IT043-1-012	IT043-2-012	IT043-3-012	43	12.6VCT @ 3.4A	6.3V @ 6.8A
IT080-1-012	IT080-2-012	IT080-3-012	80	12.6VCT @ 6.3A	6.3V @ 12.6A
IT130-1-012	IT130-2-012	IT130-3-012	130	12.6VCT @ 10.3A	6.3V @ 20.6A
IT175-1-012	IT175-2-012	IT175-3-012	175	12.6VCT @ 14.0A	6.3V @ 28.0A
IT025-1-016	IT025-2-016	IT025-3-016	25	16VCT @ 1.6A	8V @ 3.2A
IT043-1-016	IT043-2-016	IT043-3-016	43	16VCT @ 2.7A	8V @ 5.4A
IT080-1-016	IT080-2-016	IT080-3-016	80	16VCT @ 5.0A	8V @ 10.0A
IT130-1-016	IT130-2-016	IT130-3-016	130	16VCT @ 8.1A	8V @ 16.2A
IT175-1-016	IT175-2-016	IT175-3-016	175	16VCT @ 11.0A	8V @ 22.0A
IT025-1-020	IT025-2-020	IT025-3-020	25	20VCT @ 1.25A	10V @ 2.5A
IT043-1-020	IT043-2-020	IT043-3-020	43	20VCT @ 2.2A	10V @ 4.4A
IT080-1-020	IT080-2-020	IT080-3-020	80	20VCT @ 4.0A	10V @ 8.0A
IT130-1-020	IT130-2-020	IT130-3-020	130	20VCT @ 6.5A	10V @ 13A
IT175-1-020	IT175-2-020	IT175-3-020	175	20VCT @ 8.8A	10V @ 17.6A
IT025-1-024	IT025-2-024	IT025-3-024	25	24VCT @ 1.0A	12V @ 2.0A
IT043-1-024	IT043-2-024	IT043-3-024	43	24VCT @ 1.8A	12V @ 3.6A
IT080-1-024	IT080-2-024	IT080-3-024	80	24VCT @ 3.3A	12V @ 6.6A
IT130-1-024	IT130-2-024	IT130-3-024	130	24VCT @ 5.4A	12V @ 10.8A
IT175-1-024	IT175-2-024	IT175-3-024	175	24VCT @ 7.3A	12V @ 14.6A
IT025-1-028	IT025-2-028	IT025-3-028	25	28VCT @ 0.9A	14V @ 1.8A
IT043-1-028	IT043-2-028	IT043-3-028	43	28VCT @ 1.5A	14V @ 3.0A
IT080-1-028	IT080-2-028	IT080-3-028	80	28VCT @ 2.8A	14V @ 5.6A
IT130-1-028	IT130-2-028	IT130-3-028	130	28VCT @ 4.6A	14V @ 9.2A
IT175-1-028	IT175-2-028	IT175-3-028	175	28VCT @ 6.25A	14V @ 12.5A
IT025-1-036	IT025-2-036	IT025-3-036	25	36VCT @ 0.7A	18V @ 1.4A
IT043-1-036	IT043-2-036	IT043-3-036	43	36VCT @ 1.2A	18V @ 2.4A
IT080-1-036	IT080-2-036	IT080-3-036	80	36VCT @ 2.2A	18V @ 4.4A
IT130-1-036	IT130-2-036	IT130-3-036	130	36VCT @ 3.6A	18V @ 7.2A
IT175-1-036	IT175-2-036	IT175-3-036	175	36VCT @ 4.8A	18V @ 9.6A
IT025-1-230	IT025-2-230	IT025-3-230	25	230VCT @ 0.11A	115V @ 0.22A
IT043-1-230	IT043-2-230	IT043-3-230	43	230VCT @ 0.19A	115V @ 0.38A
IT080-1-230	IT080-2-230	IT080-3-230	80	230VCT @ 0.35A	115V @ 0.70A
IT130-1-230	IT130-2-230	IT130-3-230	130	230VCT @ 0.57A	115V @ 1.14A
IT175-1-230	IT175-2-230	IT175-3-230	175	230VCT @ 0.76A	115V @ 1.52A

Over 75,000 additional Admiral Class (Quick-Connect Terminals) model configurations available!

Refer to the Part Numbering Scheme on the next page to **configure your own part** with following options:

- Primary: Single, Dual, or Tapped
- Secondary: 5V to 240V, in 1V increments
- Frequency: 50/60Hz, or economy 60Hz-only
- With or without current or thermal protector(s)
- Temperature Class: 130°C, or 200°C

Any application, Any requirement, Contact us for our Custom Designs

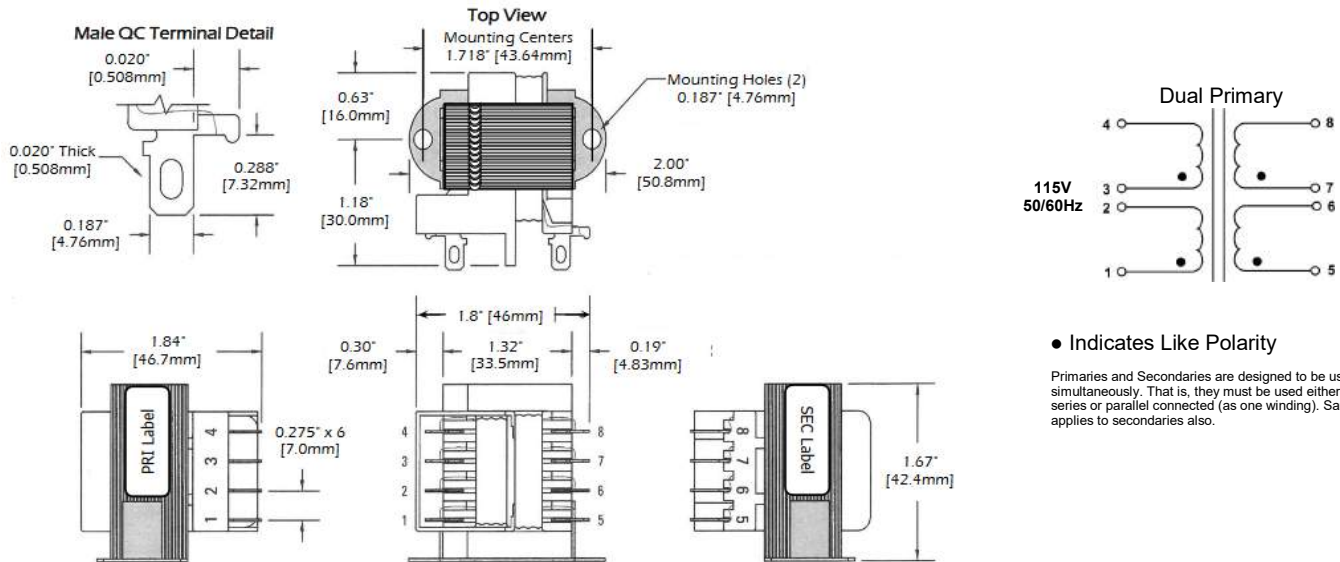
**International Series Chassis Mount - Quick Connect
Series: SPWC**

- Power Rating 6VA
- Primary, 115V
- Frequency 50/60HZ
- Secondary Voltage 10 - 230V
- High Isolation – 4000 Vrms
- Insulation Material (130°C) Standard
- Coated to resist dust and moisture



Agency Approvals:

- UL/cUL 5085-2 and/or -3, 60601-1, 62638 and EN/IEC 61558 compliant construction
- UL 1446 Recognized Class B (130°C), Insulation File No. E95662



Partial Selection Guide

VA	Part Number			Secondary		
	115V Primary	Series	Parallel	115V Primary	Series	Parallel
6.0	SPWC-4500	10VCT @ 0.600A	5V @ 1.200A	SPWC-4506	36VCT @ 0.170A	18V @ 0.340A
	SPWC-4501	12.6VCT @ 0.500A	6.3V @ 1.000A	SPWC-4507	48VCT @ 0.125A	24V @ 0.250A
	SPWC-4502	16VCT @ 0.400A	8V @ 0.800A	SPWC-4508	56VCT @ 0.110A	28V @ 0.220A
	SPWC-4503	20VCT @ 0.300A	10V @ 0.600A	SPWC-4509	120VCT @ 0.050A	60V @ 0.100A
	SPWC-4504	24VCT @ 0.250A	12V @ 0.500A	SPWC-4510	230VCT @ 0.026A	115V @ 0.052A
	SPWC-4505	28VCT @ 0.200A	14V @ 0.400A			

Any application, Any requirement, Contact us for our Custom Designs

Product Portfolio



- **General Purpose Transformers**
- **Enclosed Industrial Control Transformers**
- **Power Transformers**
 - **Printed Circuit Mount**
 - **Chassis Mount**
- **Class 2 Transformers**
- **Isolation Transformers**
- **Linear DC Power supplies**
 - **Regulated**
 - **Unregulated**
- **Custom Design**



300 W Factory Road, Addison, IL 60101

Ph: (630) 628-9999 • Fax: (630) 628-9922

powervoltgroup.com • sales@powervoltgroup.com

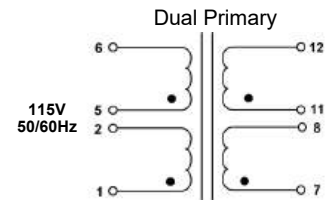
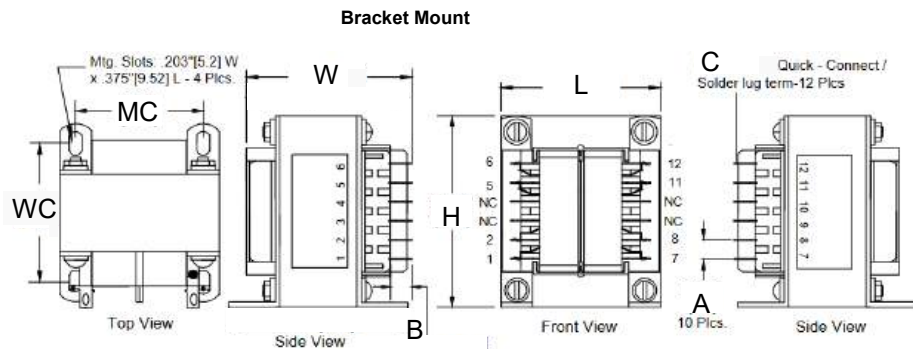
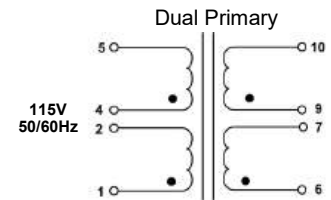
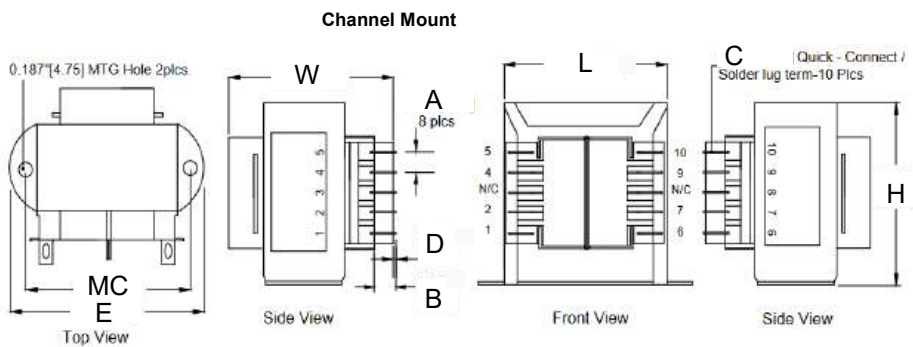
**International Series Chassis Mount - Quick Connect
Series: SPWC**

- Power Rating 25VA to 130VA
- Primary, 115/230V
- Frequency 50/60HZ
- Secondary Voltage 10 - 230V
- High Isolation – 4000 Vrms
- Insulation Material (130°C) Standard
- Coated to resist dust and moisture



Agency Approvals:

- UL/cUL 5085-2 and/or -3, 60601-1, 62638 and EN/IEC 61558 compliant construction
- UL 1446 Recognized Class B (130°C), Insulation File No. E95662



• Indicates Like Polarity

Primaries and Secondaries are designed to be used simultaneously. That is, they must be used either series or parallel connected (as one winding). Same applies to secondaries also.

VA Rating	Dimensions (Inches)									
	L	W	H	MC	WC	A	B	C	D	E
25.0	2.000	2.140	2.330	2.370	-	0.275	0.320	0.187	0.090	2.840
43.0	2.270	2.140	2.710	2.810	-	0.275	0.330	0.187	0.085	3.130
80.0	2.500	2.610	3.060	2.000	2.180	0.300	0.330	0.187	-	-
130.0	2.810	3.060	3.370	2.250	2.500	0.325	0.395	0.250	-	-

Any application, Any requirement, Contact us for our Custom Designs

Partial Selection Guide

VA	Part Number		Secondary		VA	Part Number		Secondary	
	115/230V Primary	Series	Parallel			115/230V Primary	Series	Parallel	
25.0	SPWC-1400	10VCT @ 2.50A	5V @ 5.0A		80.0	SPWC-1600	10VCT @ 8.0A	5V @ 16.0A	
	SPWC-1401	12.6VCT @ 2.0A	6.3V @ 4.0A			SPWC-1601	12.6VCT @ 6.3A	6.3V @ 12.6A	
	SPWC-1402	16VCT @ 1.60A	8V @ 3.20A			SPWC-1602	16VCT @ 5.0A	8V @ 10.0A	
	SPWC-1403	20VCT @ 1.25A	10V @ 2.50A			SPWC-1603	20VCT @ 4.0A	10V @ 8.0A	
	SPWC-1404	24VCT @ 1.04A	12V @ 2.08A			SPWC-1604	24VCT @ 3.3A	12V @ 6.6A	
	SPWC-1405	28VCT @ 900mA	14V @ 1.80A			SPWC-1605	28VCT @ 2.8A	14V @ 5.6A	
	SPWC-1406	36VCT @ 700mA	18V @ 1.40A			SPWC-1606	36VCT @ 2.2A	18V @ 4.4A	
43.0	SPWC-1407	230VCT @ 110mA	115V @ 220mA		SPWC-1607	230VCT @ 350mA	115V @ 700mA		
	SPWC-1500	10VCT @ 4.3A	5V @ 8.6A		SPWC-1700	10VCT @ 13.0A	5V @ 26.0A		
	SPWC-1501	12.6VCT @ 3.4A	6.3V @ 6.8A		SPWC-1701	12.6VCT @ 10.3A	6.3V @ 20.6A		
	SPWC-1502	16VCT @ 2.7A	8V @ 5.4A		SPWC-1702	16VCT @ 8.1A	8V @ 16.2A		
	SPWC-1503	20VCT @ 2.2A	10V @ 4.4A		SPWC-1703	20VCT @ 6.5A	10V @ 13.0A		
	SPWC-1504	24VCT @ 1.8A	12V @ 3.6A		SPWC-1704	24VCT @ 5.4A	12V @ 10.8A		
	SPWC-1505	28VCT @ 1.5A	14V @ 3.0A		SPWC-1705	28VCT @ 4.6A	14V @ 9.2A		
	SPWC-1506	36VCT @ 1.2A	18V @ 2.4A		SPWC-1706	36VCT @ 3.6A	18V @ 7.2A		
	SPWC-1507	230VCT @ 190mA	115V @ 380mA		SPWC-1707	230VCT @ 570mA	115V @ 1.14A		

Any application, Any requirement, Contact us for our Custom Designs

DC POWER SUPPLIES

REGULATED AND UNREGULATED

Stepping Motor Power Supplies

Series STP:

- Ideal for use with various stepper motor drives
- Integral motor and logic (5Vdc \pm 5%) power
- Dual 120/240V switch-selectable input voltage
- UL, CSA, CE Marked

Series STP



Linear Regulated Power Supplies

Series BVA:

- Field selectable Input - 100/117/220/230-240/480 VAC
- Single, dual, triple output
- Overload and short circuit protection
- 2 year warranty
- UL, CSA, CE Marked

Series BVA



Linear Unregulated Power Supplies

Series BVU:

- Field selectable Input - 103/115/126/207/230/253VAC
- Fuse protected output
- Improved Ripple - 3% maximum
- 2 year warranty
- UL, CSA, CE Marked

Series BVU



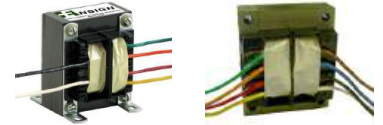
Any application, Any requirement, Contact us for our Custom Designs

International Series Chassis Mount Series: Admiral Class (IL)



Examples:

IL056-2-824A = 56VA, Dual (series/parallel) Primary, 50/60Hz, with 130°C thermal cutoff,
Single 24V secondary



Chassis Mount with Lead Wires, International	ILXXX	-X	XXX	X
Rating:				
IL002 = 2.5VA	IL043 = 43VA			
IL005 = 5VA	IL056 = 56VA			
IL010 = 10VA	IL080 = 80VA			
IL020 = 20VA	IL130 = 130VA			
IL025 = 25VA	IL175 = 175VA			
IL030 = 30VA				
Primary Voltages:				
-1 = 115-120V				
-2 = 115-120V / 230-240V Dual (series / parallel)				
-3 = 230-240V				
-4 = 100/110/120				
-6 = 200/220/240				
-7 = 120/220/240				
-8 = 100/120/200/220/240				
Secondary Voltages (10 through 240, in 1V Increments):				
010 through 240 = Dual Secondary (series / parallel) Number represents the voltage of the series connection. <i>Example: "024" = 12V (parallel) / 24V (series)</i>				
510 through 740 = Center-tapped Secondary Number represents the total voltage plus 500. <i>Example: "524" = 24V with center-tap (12V on each side)</i>				
810 through 1040 = Single Secondary Number represents the voltage plus 800. <i>Example: "824" = 24V</i>				
Optional Internal Protector				
Blank = No internal protector				
A through Z = Over-current and/or over-temperature protection (Contact for list of available protectors)				

Any application, Any requirement, Contact us for our Custom Designs

POWERVOLT GROUP

International Series Panel Mount - Lead Wires

Series: Admiral Class (IL)

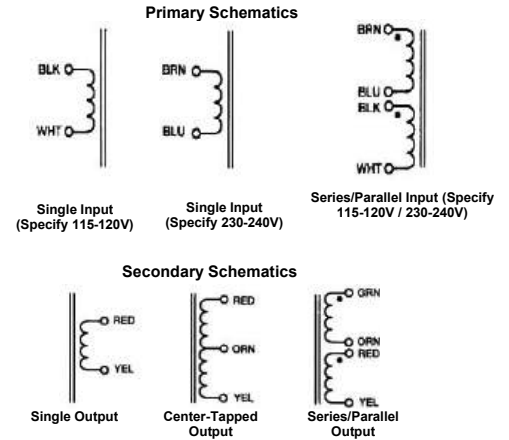
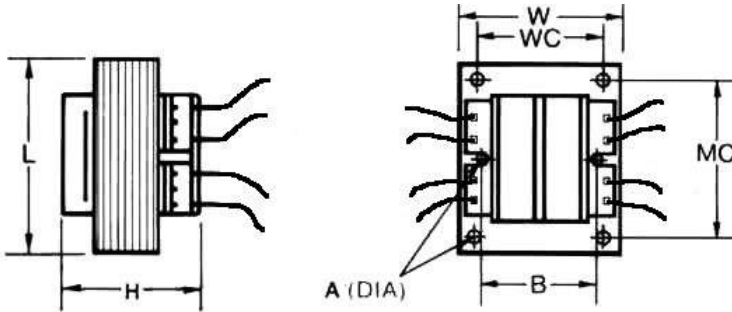
Flame Retardant Material

- Flame Retardant, UL 94V0 Rating
- High Efficiency
- 2.5VA to 56VA Power Rating
- Single or Dual Primary, 115-120V, 230-240V, or 115-120V / 230-240V (Optional 120 with taps, 240 with taps, or 120/240 with taps)
- 50/60Hz (Economy 60Hz-only Models Available)
- Dual Secondary (Optional Single or Center-tapped)
- Any Secondary Voltage from 5V to 240V in 1V Increments
- Insulation Material 130°C Standard (Optional 200°C)
- Optional Internal Current or Thermal Protector
- High Isolation, 4000 Vrms, 100% Tested
- Color Coded Lead Wires, 6" Standard Length



Agency Approvals:

- UL/cUL 5085-2 Recognized (File E47299)
- IEC/EN60950 Licensed (VDE 1901900-3336-0002)
- UL 1446 Recognized Insulation system (File E95662)



VA Rating		Secondary Voltage	Dimensions (Inches)						
			L	W	H	A	B	MC	WC
IL002	2.5VA	Parallel from 5V to 120V Series, single & center-tapped from 10V to 240V	1.62	1.31	1.12	0.125*	1.06	-	-
IL005	5VA		1.62	1.31	1.36	0.125*	1.06	-	-
IL010	10VA		1.87	1.56	1.36	0.150*	1.25	-	-
IL020	20VA		2.25	1.87	1.64	0.156*	1.50	-	-
IL030	30VA		2.62	2.19	1.57	0.156**	-	2.18	1.75
IL056	56VA		3.00	2.50	1.82	0.218**	-	2.50	2.00

* = 2 holes, ** = 4 holes

Any application, Any requirement, Contact us for our Custom Designs

Partial Selection Guide (Standard Stock)

Part Numbers					
115-120V Primary	115-120V/230-240 Primary	230-240V Primary	VA	Series Secondary Secondary	Parallel Secondary Secondary
IL002-1-010	IL002-2-010	IL002-3-010	2.5	10VCT @ 0.25A	5V @ 0.50A
IL005-1-010	IL005-2-010	IL005-3-010	5.0	10VCT @ 0.50A	5V @ 1.0A
IL010-1-010	IL010-2-010	IL010-3-010	10.0	10VCT @ 1.0A	5V @ 2.0A
IL020-1-010	IL020-2-010	IL020-3-010	20	10VCT @ 2.0A	5V @ 4.0A
IL030-1-010	IL030-2-010	IL030-3-010	30	10VCT @ 3.0A	5V @ 6.0A
IL056-1-010	IL056-2-010	IL056-3-010	56	10VCT @ 5.6A	5V @ 11.2A
IL002-1-012	IL002-2-012	IL002-3-012	2.5	12.6VCT @ 0.20A	6.3V @ 0.40A
IL005-1-012	IL005-2-012	IL005-3-012	5.0	12.6VCT @ 0.40A	6.3V @ 0.80A
IL010-1-012	IL010-2-012	IL010-3-012	10.0	12.6VCT @ 0.80A	6.3V @ 1.60A
IL020-1-012	IL020-2-012	IL020-3-012	20	12.6VCT @ 1.6A	6.3V @ 3.2A
IL030-1-012	IL030-2-012	IL030-3-012	30	12.6VCT @ 2.4A	6.3V @ 4.8A
IL056-1-012	IL056-2-012	IL056-3-012	56	12.6VCT @ 4.4A	6.3V @ 8.8A
IL002-1-016	IL002-2-016	IL002-3-016	2.5	16VCT @ 0.15A	8V @ 0.30A
IL005-1-016	IL005-2-016	IL005-3-016	5.0	16VCT @ 0.31A	8V @ 0.62A
IL010-1-016	IL010-2-016	IL010-3-016	10.0	16VCT @ 0.62A	8V @ 1.25A
IL020-1-016	IL020-2-016	IL020-3-016	20	16VCT @ 1.25A	8V @ 2.5A
IL030-1-016	IL030-2-016	IL030-3-016	30	16VCT @ 1.9A	8V @ 3.8A
IL056-1-016	IL056-2-016	IL056-3-016	56	16VCT @ 3.5A	8V @ 7.0A
IL002-1-020	IL002-2-020	IL002-3-020	2.5	20VCT @ 0.12A	10V @ 0.24A
IL005-1-020	IL005-2-020	IL005-3-020	5.0	20VCT @ 0.25A	10V @ 0.50A
IL010-1-020	IL010-2-020	IL010-3-020	10.0	20VCT @ 0.50A	10V @ 1.0A
IL020-1-020	IL020-2-020	IL020-3-020	20	20VCT @ 1.0A	10V @ 2.0A
IL030-1-020	IL030-2-020	IL030-3-020	30	20VCT @ 1.5A	10V @ 3.0A
IL056-1-020	IL056-2-020	IL056-3-020	56	20VCT @ 2.8A	10V @ 5.6A
IL002-1-024	IL002-2-024	IL002-3-024	2.5	24VCT @ 0.10A	12V @ 0.20A
IL005-1-024	IL005-2-024	IL005-3-024	5.0	24VCT @ 0.21A	12V @ 0.42A
IL010-1-024	IL010-2-024	IL010-3-024	10.0	24VCT @ 0.42A	12V @ 0.84A
IL020-1-024	IL020-2-024	IL020-3-024	20	24VCT @ 0.83A	12V @ 1.66A
IL030-1-024	IL030-2-024	IL030-3-024	30	24VCT @ 1.25A	12V @ 2.5A
IL056-1-024	IL056-2-024	IL056-3-024	56	24VCT @ 2.33A	12V @ 4.66A
IL002-1-028	IL002-2-028	IL002-3-028	2.5	28VCT @ 0.09A	14V @ 0.18A
IL005-1-028	IL005-2-028	IL005-3-028	5.0	28VCT @ 0.18A	14V @ 0.36A
IL010-1-028	IL010-2-028	IL010-3-028	10.0	28VCT @ 0.36A	14V @ 0.72A
IL020-1-028	IL020-2-028	IL020-3-028	20	28VCT @ 0.72A	14V @ 1.44A
IL030-1-028	IL030-2-028	IL030-3-028	30	28VCT @ 1.06A	14V @ 2.12A
IL056-1-028	IL056-2-028	IL056-3-028	56	28VCT @ 2.0A	14V @ 4.0A
IL002-1-036	IL002-2-036	IL002-3-036	2.5	36VCT @ 0.07A	18V @ 0.14A
IL005-1-036	IL005-2-036	IL005-3-036	5.0	36VCT @ 0.14A	18V @ 0.28A
IL010-1-036	IL010-2-036	IL010-3-036	10.0	36VCT @ 0.28A	18V @ 0.56A
IL020-1-036	IL020-2-036	IL020-3-036	20	36VCT @ 0.56A	18V @ 1.12A
IL030-1-036	IL030-2-036	IL030-3-036	30	36VCT @ 0.82A	18V @ 1.64A
IL056-1-036	IL056-2-036	IL056-3-036	56	36VCT @ 1.56A	18V @ 3.12A

Over 150,000 additional Admiral Class (Lead Wires) model configurations available!
Refer to the Part Numbering Scheme on page 36 to **configure your own part** with following options:

- Primary: Single, Dual, or Tapped
- Secondary: 5V to 240V, in 1V increments
- Frequency: 50/60Hz, or economy 60Hz-only
- With or without current or thermal protector(s)

Any application, Any requirement, Contact us for our Custom Designs

International Series Chassis Mount - Lead Wires

Series: Admiral Class (IL)

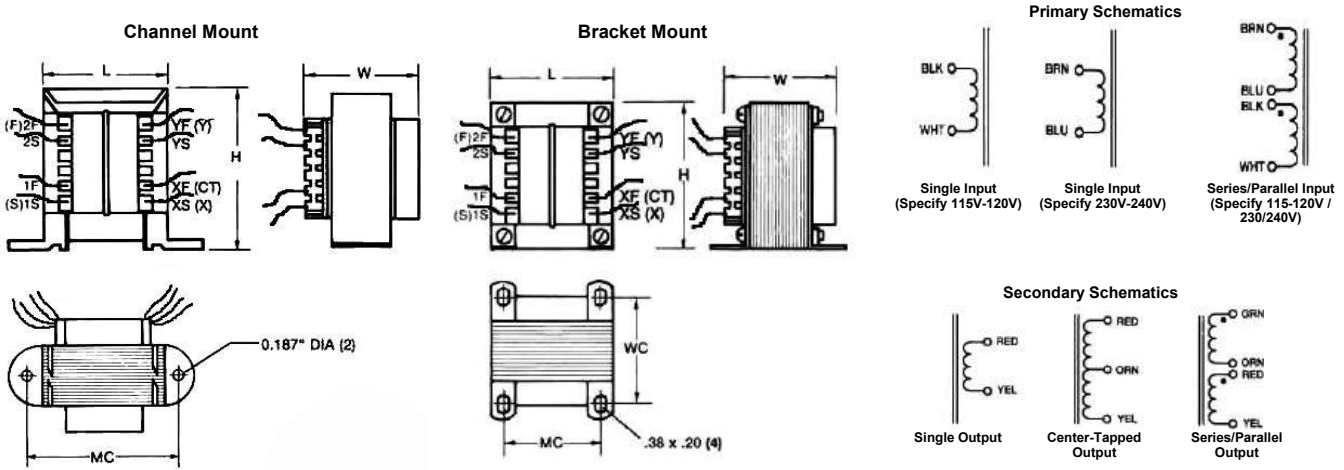
Flame Retardant Material

- Flame Retardant, UL 94V0 Rating
- High Efficiency
- 25VA to 175VA Power Rating
- Single or Dual Primary, 115-120V, 230-240V, or 115-120V / 230-240V
(Optional 120 with taps, 240 with taps, or 120/240 with taps)
- 50/60Hz (Economy 60Hz-only Models Available)
- Dual Secondary (Optional Single or Center-tapped)
- Any Secondary Voltage from 5V to 240V in 1V Increments
- Insulation Material 130°C Standard (Optional 200°C)
- Optional Internal Current or Thermal Protector
- High Isolation, 4000 Vrms, 100% Tested
- Color Coded Lead Wires, 6" Standard Length



Agency Approvals:

- UL/cUL 5085-2 Recognized (File E47299)
- IEC/EN60950 Licensed (VDE 1901900-3336-0002)
- UL 1446 Recognized Insulation system (File E95662)



VA Rating		Secondary Voltage	Dimensions (Inches)					
			L	W	H	Mounting	MC	WC
IL025	25VA	Parallel from 5V to 120V Series, single & center-tapped from 10V to 240V	1.95	2.13	2.31	Channel	2.38	-
IL043	43VA		2.26	2.13	2.68	Channel	2.81	-
IL080	80VA		2.50	2.50	3.00	Brackets	2.00	2.25
IL130	130VA		2.81	3.08	3.38	Brackets	2.25	2.50
IL175	175VA		3.12	3.12	3.75	Brackets	2.50	2.50

Any application, Any requirement, Contact us for our Custom Designs

Partial Selection Guide (Standard Stock)

Part Numbers					
115-120V Primary	Dual Primary	230-240V Primary	VA	Series Secondary	Parallel Secondary
IL025-1-010	IL025-2-010	IL025-3-010	25	10VCT @ 2.5A	5V @ 5.0A
IL043-1-010	IL043-2-010	IL043-3-010	43	10VCT @ 4.3A	5V @ 8.6A
IL080-1-010	IL080-2-010	IL080-3-010	80	10VCT @ 8.0A	5V @ 16.0A
IL130-1-010	IL130-2-010	IL130-3-010	130	10VCT @ 13.0A	5V @ 26.0A
IL175-1-010	IL175-2-010	IL175-3-010	175	10VCT @ 17.5A	5V @ 35.0A
IL025-1-012	IL025-2-012	IL025-3-012	25	12.6VCT @ 2.0A	6.3V @ 4.0A
IL043-1-012	IL043-2-012	IL043-3-012	43	12.6VCT @ 3.4A	6.3V @ 6.8A
IL080-1-012	IL080-2-012	IL080-3-012	80	12.6VCT @ 6.4A	6.3V @ 12.8A
IL130-1-012	IL130-2-012	IL130-3-012	130	12.6VCT @ 10.3A	6.3V @ 20.6A
IL175-1-012	IL175-2-012	IL175-3-012	175	12.6VCT @ 14.0A	6.3V @ 28.0A
IL025-1-016	IL025-2-016	IL025-3-016	25	16VCT @ 1.6A	8V @ 3.2A
IL043-1-016	IL043-2-016	IL043-3-016	43	16VCT @ 2.7A	8V @ 5.4A
IL080-1-016	IL080-2-016	IL080-3-016	80	16VCT @ 5.0A	8V @ 10.0A
IL130-1-016	IL130-2-016	IL130-3-016	130	16VCT @ 8.12A	8V @ 16.2A
IL175-1-016	IL175-2-016	IL175-3-016	175	16VCT @ 11.0A	8V @ 22.0A
IL025-1-020	IL025-2-020	IL025-3-020	25	20VCT @ 1.25A	10V @ 2.5A
IL043-1-020	IL043-2-020	IL043-3-020	43	20VCT @ 2.15A	10V @ 4.30A
IL080-1-020	IL080-2-020	IL080-3-020	80	20VCT @ 4.0A	10V @ 8.0A
IL130-1-020	IL130-2-020	IL130-3-020	130	20VCT @ 6.5A	10V @ 13.0A
IL175-1-020	IL175-2-020	IL175-3-020	175	20VCT @ 8.75A	10V @ 17.5A
IL025-1-024	IL025-2-024	IL025-3-024	25	24VCT @ 1.0A	12V @ 2.0A
IL043-1-024	IL043-2-024	IL043-3-024	43	24VCT @ 1.8A	12V @ 3.6A
IL080-1-024	IL080-2-024	IL080-3-024	80	24VCT @ 3.3A	12V @ 6.6A
IL130-1-024	IL130-2-024	IL130-3-024	130	24VCT @ 5.4A	12V @ 10.8A
IL175-1-024	IL175-2-024	IL175-3-024	175	24VCT @ 7.3A	12V @ 14.6A
IL025-1-028	IL025-2-028	IL025-3-028	25	28VCT @ 0.9A	14V @ 1.8A
IL043-1-028	IL043-2-028	IL043-3-028	43	28VCT @ 1.5A	14V @ 3.0A
IL080-1-028	IL080-2-028	IL080-3-028	80	28VCT @ 2.85A	14V @ 5.7A
IL130-1-028	IL130-2-028	IL130-3-028	130	28VCT @ 4.6A	14V @ 9.2A
IL175-1-028	IL175-2-028	IL175-3-028	175	28VCT @ 6.25A	14V @ 12.5A
IL025-1-036	IL025-2-036	IL025-3-036	25	36VCT @ 0.7A	18V @ 1.4A
IL043-1-036	IL043-2-036	IL043-3-036	43	36VCT @ 1.2A	18V @ 2.4A
IL080-1-036	IL080-2-036	IL080-3-036	80	36VCT @ 2.2A	18V @ 4.4A
IL130-1-036	IL130-2-036	IL130-3-036	130	36VCT @ 3.6A	18V @ 7.2A
IL175-1-036	IL175-2-036	IL175-3-036	175	36VCT @ 4.9A	18V @ 9.8A

Over 150,000 additional Admiral Class (Lead Wires) model configurations available!

Refer to the Part Numbering Scheme on the next page to **configure your own part** with following options:

- Primary: Single, Dual, or Tapped
- Secondary: 5V to 240V, in 1V increments
- Frequency: 50/60Hz, or economy 60Hz-only
- With or without current or thermal protector(s)
- Temperature Class: 130°C, or 200°C

Any application, Any requirement, Contact us for our Custom Designs

Isolation Transformers - Printed Circuit Mount

6 Pins

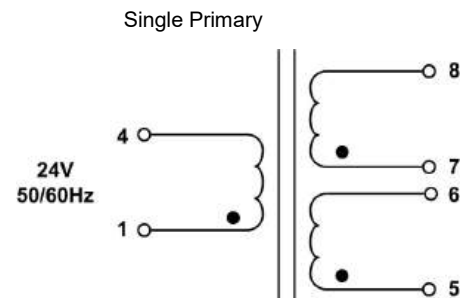
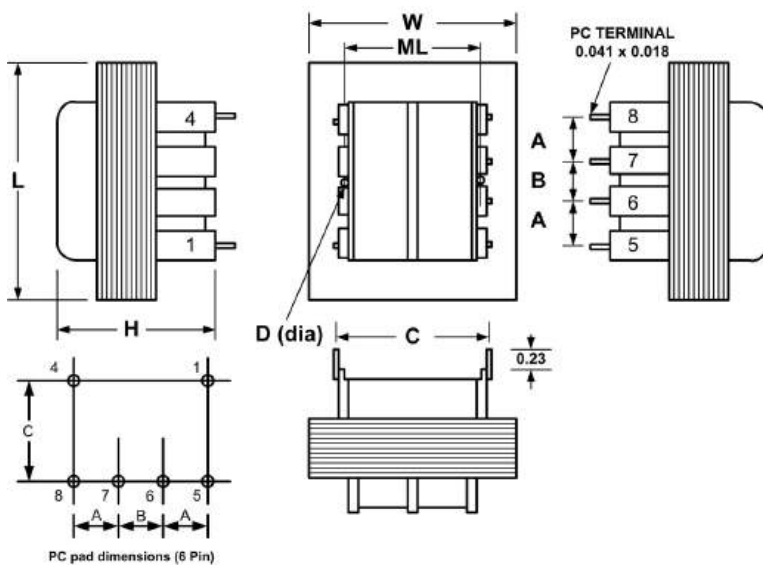
Series: P24H

- Power Rating 1.1VA to 36VA
- Single Primary, 24V
- Frequency 50/60HZ
- Series or Parallel Secondary
- Dielectric Strength – 2500 Vrms
- Insulation Class B (130°C)
- Low Capacitive Coupling, no Electrostatic Shield Needed



Agency Approvals:

- UL/cUL 5085-2 Recognized (File E47299)
- Insulation File No. E95662



Primaries and Secondaries are designed to be used simultaneously. That is, they must be used either series or parallel connected (as one winding). Same applies to secondaries also.

VA Rating	Part Number	Secondary		Dimensions (Inches)								Wt. lbs
		Series	Parallel	L	W	H	ML	A	B	C	D (dia.)	
1.1	P24H-11-24	24VCT @ 46mA	12V @ 0.092A	1.38	1.13	0.93	-	0.250	0.250	1.22	-	0.17
2.4	P24H-24-24	24VCT @ 100mA	12V @ 0.200A	1.38	1.13	1.17	-	0.250	0.250	1.22	-	0.25
6	P24H-06-24	24VCT @ 250mA	12V @ 0.500A	1.63	1.31	1.29	1.06	0.250	0.350	1.28	0.125	0.44
12	P24H-12-24	24VCT @ 500mA	12V @ 1.000A	1.88	1.56	1.41	1.25	0.300	0.400	1.40	0.150	0.70
20	P24H-20-24	24VCT @ 833mA	12V @ 1.670A	2.25	1.88	1.41	1.66	0.300	0.400	1.59	0.218*	0.80
36	P24H-36-24	24VCT @ 1.500A	12V @ 3.000A	2.63	2.19	1.56	1.94	0.400	0.400	1.84	0.218*	1.10

* = Slots

Any application, Any requirement, Contact us for our Custom Designs

POWERVOLT GROUP

Isolation Transformers - Printed Circuit Mount

12 Pins

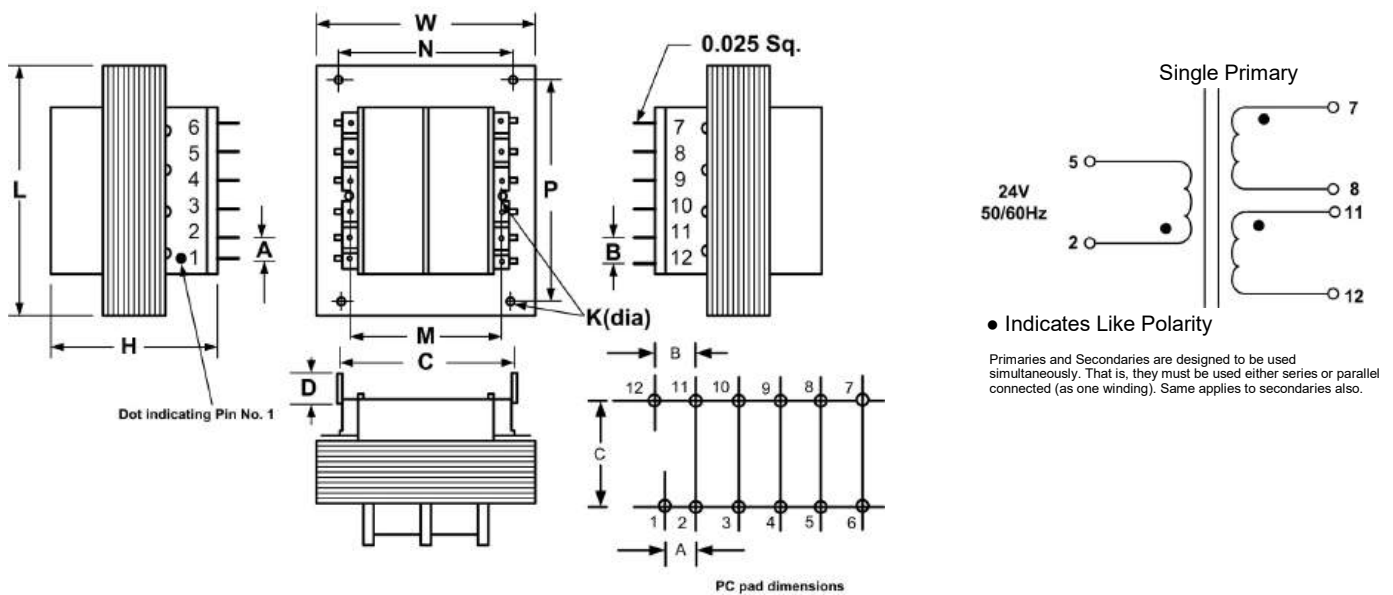
Series: P24X

- Power Rating 2.4VA to 30VA
- Single Primary, 24V
- Frequency 50/60HZ
- Series or Parallel Secondary
- Dielectric Strength – 1500 Vrms
- Insulation Class B (130°C)



Agency Approvals:

- UL/cUL 5085-2 Recognized (File E47299)
- Insulation File No. E95662



VA Rating	Part Number	Secondary		Dimensions (Inches)							Mounting Dimension				Wt. lbs
		Series	Parallel	L	W	H	A	B	C	D	K	M	N	P	
2.4	P24X-24-24	24VCT @ 100mA	12V @ 0.200A	1.38	1.12	1.13	0.15	0.20	0.86	0.172	-	1.00	-	-	0.230
20	P24X-20-24	24VCT @ 833mA	12V @ 1.670A	2.25	1.87	1.41	0.20	0.30	1.30	0.140	0.219 X 0.09*	1.69	1.50	1.88	0.780
30	P24X-30-24	24VCT @ 1.250A	12V @ 2.500A	2.25	1.87	1.79	0.20	0.30	1.30	0.140	0.219 X 0.09*	1.69	1.50	1.88	1.150

* = Slots

Any application, Any requirement, Contact us for our Custom Designs

POWERVOLT GROUP

Isolation Transformers - Chassis Mount

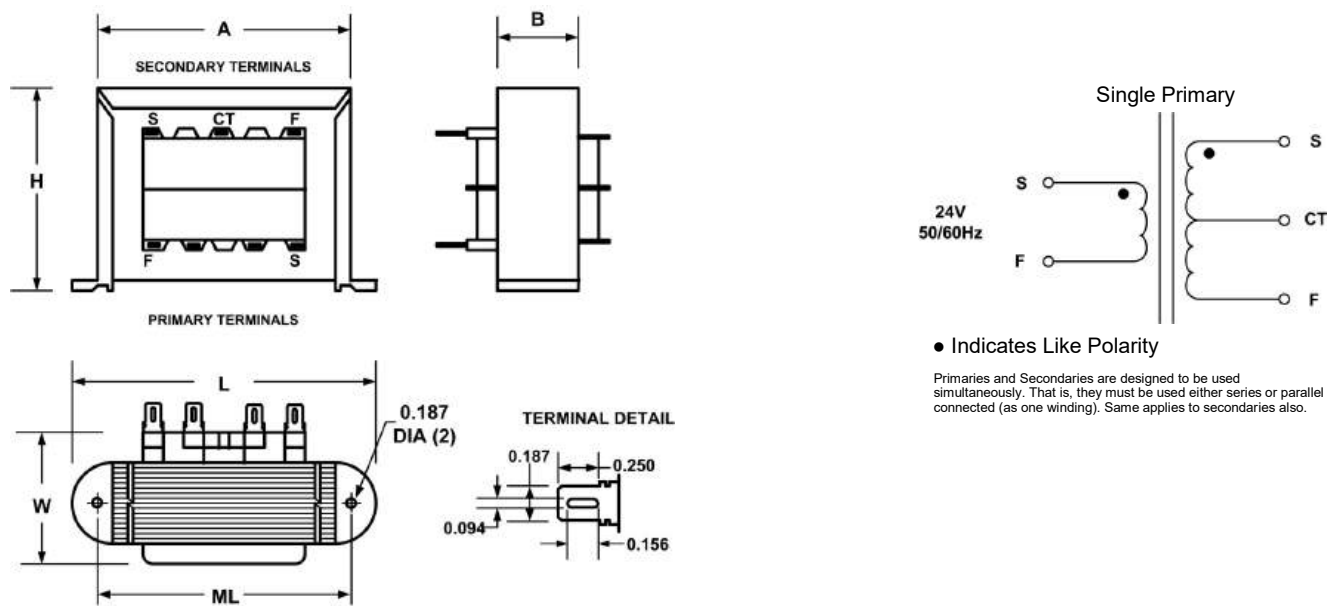
Quick Connect Series: P24T

- Power Rating 2.4VA to 100VA
- Single Primary, 24V
- Frequency 50/60HZ
- Center-tapped Secondary, 24V
- Dielectric Strength – 2500 Vrms
- Insulation Class B (130°C)
- Low Capacitive Coupling, no Electrostatic Shield Needed



Agency Approvals:

- UL/cUL 5085-2 Recognized (File E47299)
- Insulation File No. E95662



VA Rating	Part Number	Secondary	Dimensions (Inches)						Wt. lbs
			L	W	H	A	B	ML	
2.4	P24T-24-24	24VCT @ 100mA	2.063	1.17	1.19	1.45	0.563	1.75	0.25
6	P24T-06-24	24VCT @ 250mA	2.375	1.30	1.38	1.70	0.688	2.00	0.44
12	P24T-12-24	24VCT @ 500mA	2.813	1.44	1.62	1.95	0.813	2.38	0.70
30	P24T-30-24	24VCT @ 1.25A	3.250	1.76	1.94	2.32	1.063	2.81	1.10
50	P24T-50-24	24VCT @ 2.083A	3.688	1.87	2.25	2.70	1.063	3.12	1.70
56	P24T-56-24	24VCT @ 2.33A	3.688	1.87	2.25	2.70	1.063	3.12	1.70
100	P24T-100-24	24VCT @ 4.17A	4.031	2.25	2.56	3.08	1.313	3.56	2.75

Any application, Any requirement, Contact us for our Custom Designs

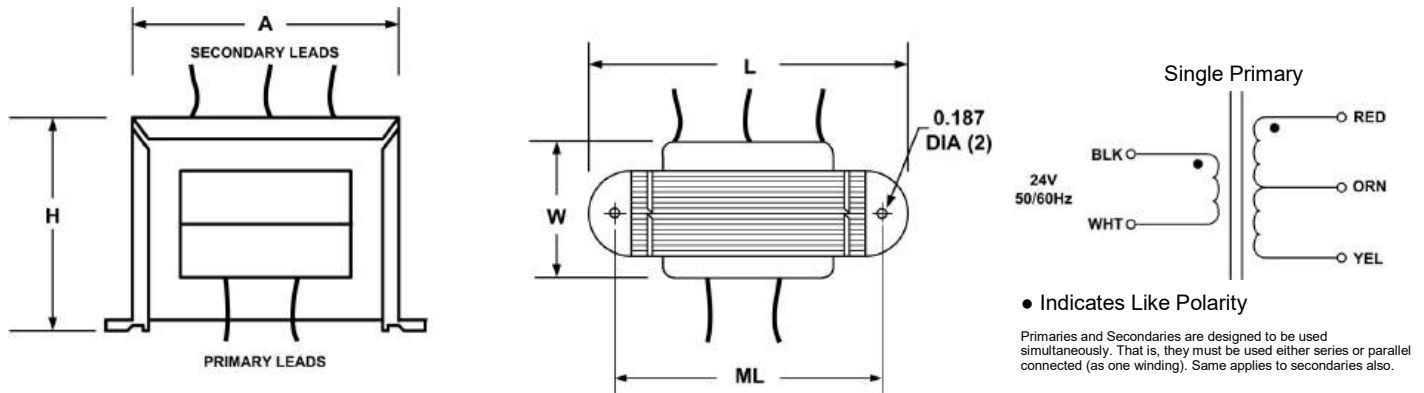
Isolation Transformers - Chassis Mount Lead Wires Series: P24L

- Power Rating 2.4VA to 100VA
- Single Primary, 24V
- Frequency 50/60HZ
- Center-tapped Secondary, 24V
- Dielectric Strength – 2500 Vrms
- Insulation Class B (130°C)
- Low Capacitive Coupling, no Electrostatic Shield Needed
- Color Coded Hook-up Wires



Agency Approvals:

- UL/cUL 5085-2 Recognized (File E47299)
- Insulation File No. E95662



VA Rating	Part Number	Secondary	Dimensions (Inches)					Wt. lbs
			L	W	H	A	ML	
2.4	P24L-24-24	24VCT @ 0.100A	2.063	1.40	1.19	1.45	1.75	0.25
6	P24L-06-24	24VCT @ 0.250A	2.375	1.50	1.38	1.70	2.00	0.44
12	P24L-12-24	24VCT @ 0.500A	2.813	1.64	1.62	1.95	2.38	0.70
20	P24L-20-24	24VCT @ 0.833A	3.250	1.60	1.94	2.32	2.81	1.10
30	P24L-30-24	24VCT @ 1.25A	3.250	2.00	1.94	2.32	2.81	1.10
36	P24L-36-24	24VCT @ 1.50A	3.688	1.56	2.25	2.70	3.12	1.70
40	P24L-40-24	24VCT @ 1.67A	3.688	1.95	2.25	2.70	3.12	1.70
50	P24L-50-24	24VCT @ 2.083A	3.688	2.13	2.25	2.70	3.12	1.70
56	P24L-56-24	24VCT @ 2.33A	3.688	2.13	2.25	2.70	3.12	1.70
75	P24L-75-24	24VCT @ 3.125A	4.031	2.25	2.56	3.08	3.56	2.75
100	P24L-100-24	24VCT @ 4.17A	4.031	2.50	2.56	3.08	3.56	2.75

Any application, Any requirement, Contact us for our Custom Designs

POWERVOLT GROUP

DC Power Supply - Linear Regulated Series: BVA

- Single, dual, triple outputs
- Worldwide field selectable 100/117/220/230-240VAC input
- Rated full load at 50°C
- Overload and short circuit protection
- Remote sense compensates for line drop and assures voltage the load
- Reverse Polarity protection
- Open sense lead protection
- Overvoltage Protection (OVP) standard on 5V main outputs
- Up to 600 watts regulated output
- Made in the U.S.A.
- 2 year warranty



Agency Approvals:

- UL File # E181899
- CB Scheme, File #MC3535
- CE Marked



The International Series BVA

The BVA series is the premium grade, open frame line of linear DC power supplies. Designed to operate over a wide range of AC power sources found worldwide, the BVA series is especially suited for OEM applications where cost is a significant factor. The field selectable universal input (100/117/220/230-240VAC) reduces your inventory cost by allowing to use just one standard model regardless of destination.

Value Added Services

PowerVolt offers a wide variety of value added services and design features to meet your application requirements. The first and foremost service we offer is our flexibility to design custom units for your application. Other features include, but are not limited to, terminal blocks, mounting spacers, fuse and fuse holders, line cords etc. Please contact your local factory representative, distributor or factory direct for quotations.

Specifications

AC Input: Field selectable taps for 100/117/220/230-240 VAC $\pm 10\%$; 47-63Hz. See chassis ID label for jumper and line fusing requirements. For 50Hz operation derate output by 10%

DC Output: See selection guide for voltage/current ratings. The output is floating; either positive or negative terminal can be grounded. Output adjustment range is $\pm 10\%$, expect variable 10-18V outputs.

Line Regulation: $\pm 0.05\%$ for 10% line change

Load Regulation: $\pm 0.05\%$ for 50% load change

Thermal Regulation: $\pm 0.02\%$ per °C maximum, $\pm 0.005\%$ per °C typical

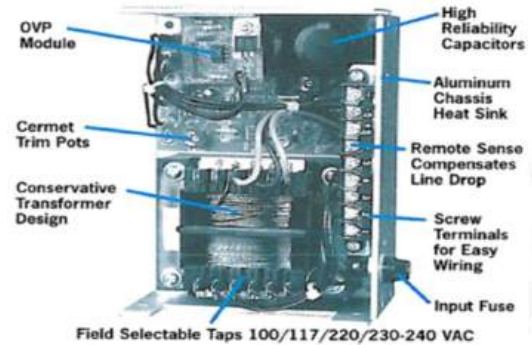
Output Ripple: 2mV RMS maximum, 3mV P-P

Dynamic Response: 30 microseconds for 50% load change

Stability: $\pm 0.03\%$ for 24 hour period after 1 hour warm up

Short Circuit and Overload Protection: Foldback current limiting, set at 120% of nominal

Overvoltage Protection: Crowbar overvoltage protection is standard on all 5VDC main outputs and is factory set at 6.2V ± 0.4 V (fixed). Optional universal OVP module adjustable from 4.5 to 36V is available for other models.



Remote Sensing: Standard on all outputs above 30 watts. Remote sense will compensate for a cable drop of 0.25V. Protected against open or shorted sense leads. Twisted pair sense leads are recommended.

Efficiency: 5V units: 45%; 12 and 15V units: 55%; 24V and higher units: 60%

Operating Temperature: 0°C to 50°C full rated load, derate linearly to 40% at 70°C. See derating chart.

Storage Temperature: -55°C to +85°C

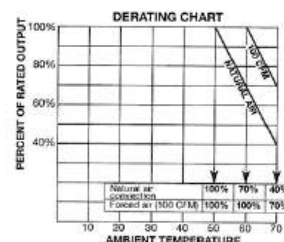
Vibration: Per MIL-STD-810B, Method 514, Procedure I, Curve AB (to 50 Hz)

Shock: Per MIL-STD-810B, Method 516, Procedure V

Safety Standards: • UL 60950-1, Second Edition • CSA C22.2 No. 60950 • CE Marked • CB Scheme

Finish: Clear aluminum chassis. Also serves as heat sink.

Mounting: Units can be mounted on several surfaces. Mounting holes will accept press fit #6-32 threaded fasteners. For efficient cooling, allow unrestricted air flow. Forced air cooling may be recommended.



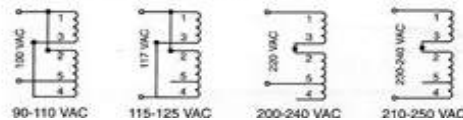
Linear Regulated DC Power Supplies: Operation and Application Notes

AC Input Wiring and Fusing

The universal transformer allows four input voltage ranges - 100/117/220/230-240 VAC $\pm 10\%$. All standard models are factory wired for 117V operation. Before operation at a specific line voltage, the proper input jumpers must be installed. Adequate input fusing is also recommended. For jumper scheme and fusing requirements, refer to the unit ID label or the table below.

Input (VAC)	100	117	220	230-240
Jumper	1 - 2 3 - 4	1 - 2 3 - 4	2 - 3	2 - 3
Apply AC	1 - 5	1 - 4	1 - 5	1 - 4
Fuse	See unit ID label. Recommended 150% of output current.			

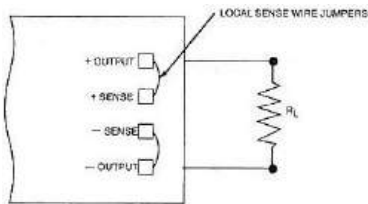
Jumpers Example: For operation at 117VAC, jumper 1-2 and 3-4; and apply AC input to 1 - 4.



DC Output Wiring

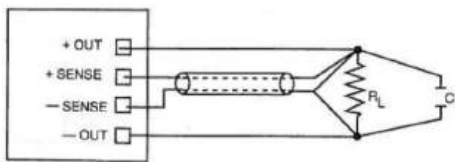
Local Sense

When load leads are not too long and remote regulation is not required, simply connect the load to the output terminals marked +Vo or +Out and -Vo or -Out. **Load leads must never be connected to the sense terminals.** Open sense lead protection is built-in and strapping the sense leads to the output leads is not needed, but is recommended.



Remote Sense

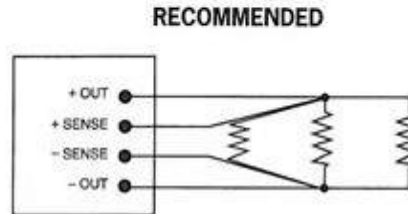
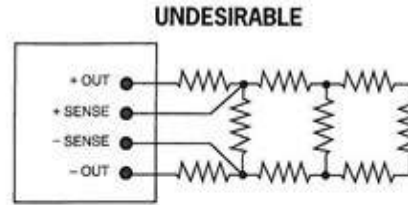
All models above 30 watts are provided with remote sense feature to compensate the load line drop and to permit a remote point of regulation. The figure below shows proper wiring for a power supply with remote sensing.



The remote sense can compensate a line drop of up to 0.25V. The load leads must be sized so that the line drop does not exceed 0.25V - the lesser the better. To provide noise immunity, it is recommended to use twisted pair or shielded pair for sense leads. A small AC decoupling capacitor (0.1 to 10 microfarad) across the sense terminals will also enhance the noise immunity. In some applications, the power supply output tends to oscillate due to the phase shift caused by the line resistance and inductance. The addition of capacitor C1 will reduce output impedance and provide stability. The recommended value of C1 is 100 microfarads per ampere or 50 microfarads per foot of lead wire.

Grounding

The grounding, if not done right, can have a significant effect on the overall system performance. A single point grounding the system should be employed, whenever possible, to eliminate ground loops and to improve regulation.



Thermal Considerations

In normal operation the chassis gets hot due to the heat generated in the regulator. An unrestricted mounting area is recommended. Moving air is desirable in confined areas. The chassis may be mounted on the other heat dissipating surfaces to improve cooling.

Overvoltage Protection (OVP) Adjustment

The overvoltage is fixed on +5V outputs and is factory set at $6.2 \pm 0.4V$. On all other outputs, a separate universal OVP module should be used. Single output units normally have their OVP adjusted at 1 to 2 volts or 10 to 20% (whichever is greater) above the nominal output voltage. For dual output units, the criteria applies above the sum of the two voltages. Adjust OVP as follows:

- Adjust OVP adj. potentiometer fully clockwise
- Apply AC input voltage
- Adjust output voltage to the desired overvoltage trip point
- Turn the OVP adj. potentiometer counterclockwise until output voltage is crowbarred to approximately 1 volt
- Switch the AC input off and adjust the output voltage down. Reapply AC input voltage and adjust the output up to verify the set point.

Overload Adjustment

The overload is factory set at 110 to 120% and should not require any adjustment. If this has been changed or require recalibration, it can be accomplished as follows:

- Adjust OL adj. potentiometer fully clockwise
- Apply AC input voltage
- Adjust output to the lowest voltage of the specified voltage range
- Adjust the load current to 110 to 120% of rated output current
- Slowly turn the OL adj. potentiometer counterclockwise until the voltage starts decreasing

Partial Selection Guide

Single Output Models				Single Output Models			
Voltage	Model	Case	Output	Voltage	Model	Case	Output
2 Volts	BVA-2AS3	AS	2V @ 3A	15 Volts	BVA-15AS0.9	AS	15V @ 0.9A
	BVA-2BS6	BS	2V @ 6A		BVA-15AS1.5	AS	15V @ 1.5A
	BVA-2DS12	DS	2V @ 12A		BVA-15BS3	BS	15V @ 3A
	BVA-2ES18	ES	2V @ 18A		BVA-15CS4.5	CS	15V @ 4.5A
5 Volts	BVA-5AS1.5-OVP	AS	5V @ 1.5A		BVA-15DS6	DS	15V @ 6A
	BVA-5AS3-OVP	AS	5V @ 3A		BVA-15ES9	ES	15V @ 9A
	BVA-5BS6-OVP	BS	5V @ 6A		BVA-15FS15	FS	15V @ 15A
	BVA-5CS9-OVP	CS	5V @ 9A		BVA-18AS1.5	AS	18V @ 1.5A
	BVA-5DS12-OVP	DS	5V @ 12A		BVA-18BS3	AS	18V @ 3A
	BVA-5ES18-OVP	ES	5V @ 18A	BVA-18CS4.5	BS	18V @ 4.5A	
	BVA-5FS25-OVP	FS	5V @ 25A	BVA-18DS6	CS	18V @ 6A	
7 Volts	BVA-7AS1	AS	7V @ 1A	BVA-18ES9	DS	18V @ 9A	
	BVA-7AS2	AS	7V @ 2A	BVA-18FS15	ES	18V @ 15A	
	BVA-7BS4	BS	7V @ 4A	BVA-24AS0.5	AS	24V @ 0.5A	
	BVA-7CS6	CS	7V @ 6A	BVA-24AS1.2	AS	24V @ 1.2A	
	BVA-7DS8	DS	7V @ 8A	BVA-24BS2.4	BS	24V @ 2.4A	
	BVA-7ES12.5	ES	7V @ 12.5A	BVA-24CS3.6	CS	24V @ 3.6A	
	BVA-7FS17.5	FS	7V @ 17.5A	BVA-24DS4.8	DS	24V @ 4.8A	
10 Volts	BVA-10AS1.7	AS	10V @ 1.7A	BVA-24ES7.2	ES	24V @ 7.2A	
	BVA-10BS3.4	BS	10V @ 3.4A	BVA-24FS12	FS	24V @ 12A	
	BVA-10CS5.1	CS	10V @ 5.1A	BVA-24GS24	GS	24V @ 24A	
	BVA-10DS6.8	DS	10V @ 6.8A	BVA-24MIL8/17*	-	24V @ 8A/ 24V @ 17A	
	BVA-10ES10.2	ES	10V @ 10.2A	BVA-28AS0.5	AS	28V @ 0.5A	
12 Volts	BVA-10FS16	FS	10V @ 16A	BVA-28AS1	AS	28V @ 1A	
	BVA-12AS0.9	AS	12V @ 0.9A	BVA-28BS2	BS	28V @ 5.1A	
	BVA-12AS1.7	AS	12V @ 1.7A	BVA-28CS3	CS	28V @ 3A	
	BVA-12BS3.4	BS	12V @ 3.4A	BVA-28DS4	DS	28V @ 4A	
	BVA-12CS5.1	CS	12V @ 5.1A	BVA-28ES6	ES	28V @ 6A	
	BVA-12DS6.8	DS	12V @ 6.8A	BVA-28FS10	FS	28V @ 10A	
12 Volts	BVA-12ES10.2	ES	12V @ 10.2A	BVA-48AS0.5	AS	48V @ 0.5A	
	BVA-12FS16	FS	12V @ 16A	BVA-48BS1	BS	48V @ 1A	
				BVA-48DS3	DS	48V @ 3A	
				BVA-48ES4	ES	48V @ 4A	
			BVA-48FS8	FS	48V @ 8A		

Options:

Screw Terminals (T): Solder terminals standard.

Add T for screw terminals, 20A/300V

Overvoltage Protection (OVP): OVP is standard on all 5V main outputs. Add OVP to part number for individual OVP module on other models up to 36VDC outputs.

Mounting Spacers (S): For mounting spacers on any one surface add 'S' to part number. Not available on FS and GS case sizes.

Input Fuse (F): For input fuse and fuse holder add F to part number.

Line Cord (C): For input line cord add C to part number.

Surge Absorber (M): Input MOV 150V for line voltage of 100-117VAC; and 320V for line voltage of 220-240VAC.

Ask for specials.

Custom variations quoted and shipped promptly.

*Unregulated

Any application, Any requirement, Contact us for our Custom Designs

Partial Selection Guide

Dual Output Models

Voltage	Model	Case	Output	
			#1	#2
±5 Volts	BVA-5AD1.5-OVP	AD	5V @ 1.5A	-5V @ 1.5A
	BVA-5BD3-OVP	BD	5V @ 3A	-5V @ 3A
	BVA5CD6-OVP	CD	5V @ 6A	-5V @ 6A
±12 Volts	BVA-12AA0.4	AA	12V @ 0.4A	-12V @ 0.4A
±15 Volts	BVA-15AA0.4	AA	15V @ 0.4A	-15V @ 0.4A
			12V @ 1A, or 15V @ 0.8A	-12V @ 1A, or -15V @ 0.8A, or -5V @ 0.4A
±12 to 15 Volts	BVA-12AD1.0	AD	12V @ 1.7A, or 15V @ 1.5A	-12V @ 1.7A, or -15V @ 1.5A, or -5V @ 0.7A
			BVA-12BD1.7	BD
	BVA-CD3.4	CD	12V @ 5A, or 15V @ 5A	-12V @ 5A, or -15V @ 5A
	BVA-12ED5	ED		

Ask for specials. Custom variations quoted and shipped promptly.

Options:

Screw Terminals (T): Solder terminals standard. Add T for screw terminals, 20A/300V

Overvoltage Protection (OVP): OVP is standard on all 5V main outputs. Add OVP to part number for individual OVP module on other models up to 36VDC outputs.

Mounting Spacers (S): For mounting spacers on any one surface add 'S' to part number. Not available on FS and GS case sizes.

Input Fuse (F): For input fuse and fuse holder add F to part number.

Line Cord (C): For input line cord add C to part number.

Surge Absorber (M): Input MOV 150V for line voltage of 100-117VAC; and 320V for line voltage of 220-240VAC.

Any application, Any requirement, Contact us for our Custom Designs

Partial Selection Guide

Triple Output Models						
Voltage	Model	Case	Output			
			#1	#2	#3	
10 Volts	BVA-52A15T0.4	AT	5V @ 2A	9 to 15V @ 0.4A	-9 to 15V @ 0.4A, or -5V @ 0.4A	
15 Volts	BVA-53B12T1	BT	5V @ 3A	12V @ 1A, or 15V @ 0.8A	-12V @ 1A, or -15V @ 0.8A, or -5V @ 0.4A	
30 Volts	BVA-56C12T1.7	CT	5V @ 6A	12V @ 1.7A, or 15V @ 1.5A	-12V @ 1.7A, or -15V @ 0.8A, or -5V @ 0.7A	
30 Volts	BVA-56D12T1	DT	5V @ 6A	12V @ 1A, or 15V @ 1A	-12V @ 1A, or -15V @ 1A, or -5V @ 0.4A	
40 Volts	BVA-58E12T1.7	ET	5V @ 8A	12V @ 1.7A, or 15V @ 1.5A	-12V @ 1.7A, or -15V @ 1.5A, or -5V @ 0.7A	
60 Volts	BVA-512F12T3.4	FT	5V @ 12A	12V @ 3.4A, or 15V @ 3A	-12V @ 3.4A, or -15V @ 3A	

Ask for specials. Custom variations quoted and shipped promptly.

Options:

Screw Terminals (T): Solder terminals standard. Add T for screw terminals, 20A/300V

Overvoltage Protection (OVP): OVP is standard on all 5V main outputs. Add OVP to part number for individual OVP module on other models up to 36VDC outputs.

Mounting Spacers (S): For mounting spacers on any one surface add 'S' to part number. Not available on FS and GS case sizes.

Input Fuse (F): For input fuse and fuse holder add F to part number.

Line Cord (C): For input line cord add C to part number.

Surge Absorber (M): Input MOV 150V for line voltage of 100-117VAC; and 320V for line voltage of 220-240VAC.

Any application, Any requirement, Contact us for our Custom Designs

AS CASE / AA CASE **WEIGHT: 2 LBS.**

DC OUTPUT
DVP (OPT)
AC INPUT

	INCH	mm
A	4.87	123.70
B	4.125	104.80
C	4.00	101.60
D	3.375	86.73
E	0.87	22.10
F	0.450	11.43
G	0.794	20.20
H	2.601	66.07
J	0.605	15.37
K	1.62	41.15
L	0.250	6.35
M	0.375	9.53

OVERALL SIZE
4.87" x 4.00" x 2.07"

.188 DIA. MTG. HOLES (8 PL)

BS CASE **WEIGHT: 4 LBS.**

DC OUTPUT
DVP (OPT)
AC INPUT

	INCH	mm
A	4.87	123.70
B	4.125	104.78
C	0.25	6.35
D	5.62	142.75
E	4.875	123.83
F	0.50	12.70
G	2.50	63.50
H	1.250	31.75
J	0.75	19.05
K	0.450	11.43
L	2.85	72.39
M	1.025	26.04
N	0.665	16.89

OVERALL SIZE
5.62" x 4.87" x 2.95"

R.188 DIA. MTG. HOLES (12 PL)

CS CASE **WEIGHT: 6 LBS.**

AC INPUT
DVP (OPT)
DC OUTPUT

	INCH	mm
A	7.00	177.80
B	6.250	158.75
C	4.87	123.70
D	4.125	104.78
E	0.50	12.70
F	1.250	31.75
G	0.75	19.05
H	0.450	11.43
J	2.75	69.85
K	0.38	9.65

OVERALL SIZE
7.00" x 4.87" x 3.20"

.188 DIA. MTG. HOLES (16 PL)

DS CASE **WEIGHT: 7.5 LBS.**

AC INPUT
DVP (OPT)
DC OUTPUT

	INCH	mm
A	9.00	228.60
B	8.000	203.20
C	4.50	114.30
D	8.87	225.70
E	4.125	104.78
F	1.250	31.75
G	2.75	69.85
H	0.75	19.05
J	0.525	13.34

OVERALL SIZE
9.00" x 4.87" x 3.28"

.188 DIA. MTG. HOLES (16 PL)

ES CASE **WEIGHT: 10 LBS.**

AC INPUT
DVP (OPT)
DC OUTPUT

	INCH	mm
A	14.00	355.60
B	13.000	330.20
C	4.87	123.70
D	4.125	104.78
E	0.50	12.70
F	1.250	31.75
G	0.75	19.05
H	0.650	16.51
J	2.75	69.85

OVERALL SIZE
14.00" x 4.87" x 3.40"

.188 DIA. MTG. HOLES (16 PL)

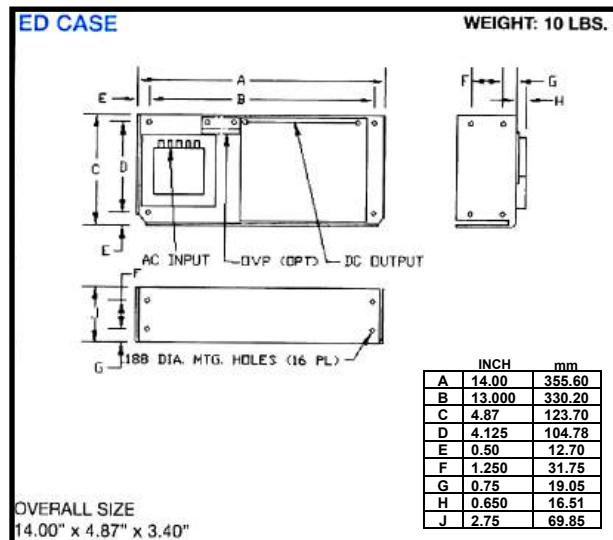
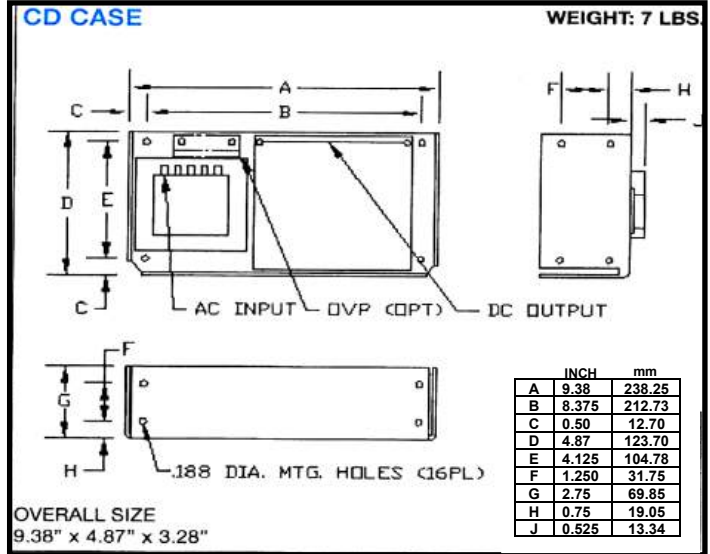
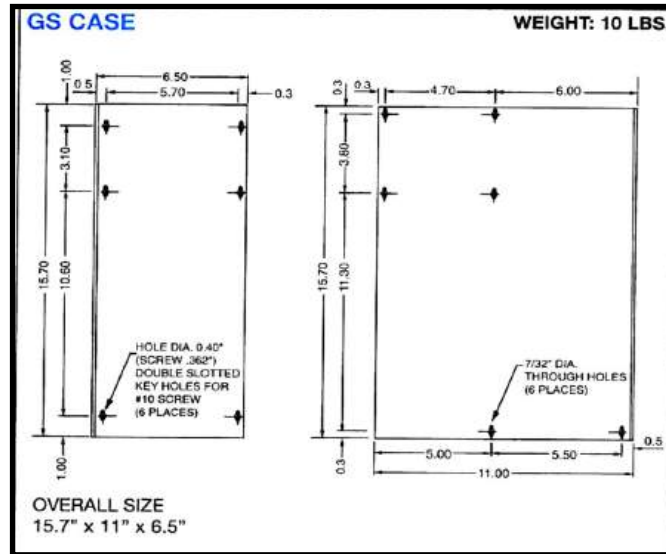
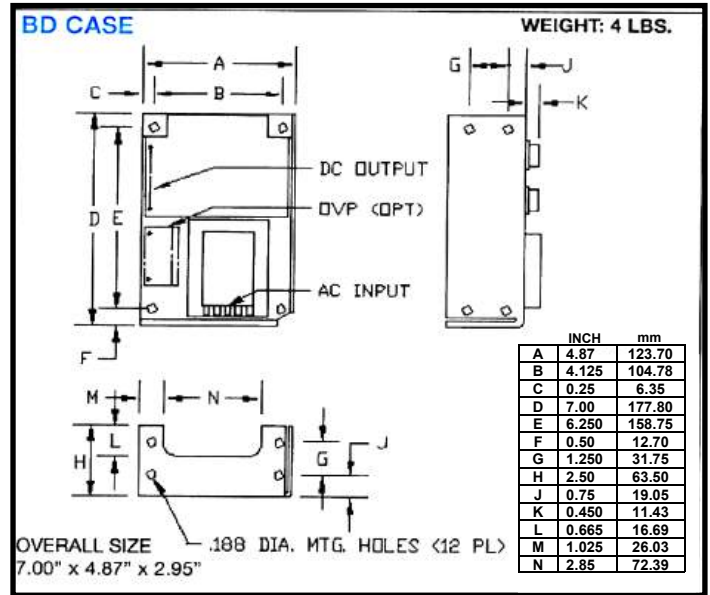
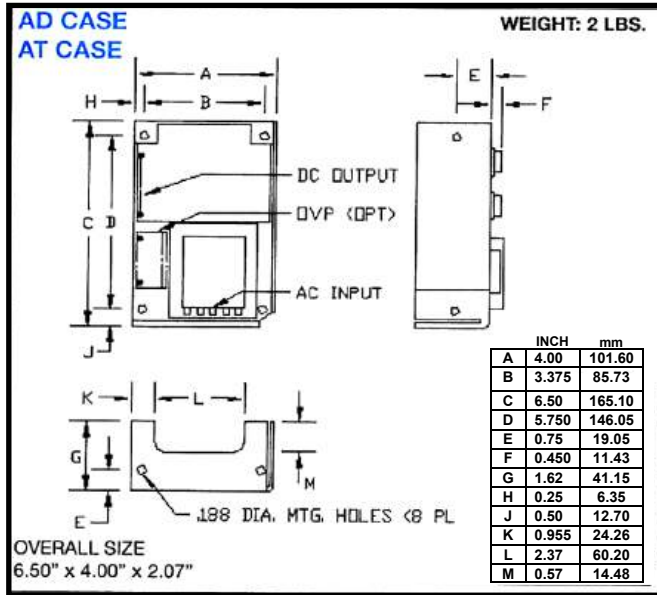
FS CASE **WEIGHT: 19 LBS.**

AC INPUT
DC OUTPUT
DVP (OPT)
HEATSINK AREA

	INCH	mm
A	16.75	425.45
B	16.00	406.40
C	4.88	123.95
D	4.125	104.00
E	0.375	9.53
F	5.00	127.00
G	2.50	63.50
H	1.50	38.10
J	3.50	88.90
K	2.50	63.50

OVERALL SIZE
16.75" x 5.00" x 4.88"

.188 DIA. MTG. HOLES (16 PL)



ET CASE **WEIGHT: 9 LBS.**

AC INPUT, DC OUTPUT, DVP (OPT), .188 DIA. MTG. HOLES (16 PL)

	INCH	mm
A	11.00	279.40
B	7.00	177.80
C	0.50	12.70
D	0.25	6.35
E	4.87	123.70
F	4.125	104.78
G	1.250	31.75
H	0.75	19.05
J	0.450	11.43
K	2.75	69.85

OVERALL SIZE
11.00" x 4.87" x 3.20"

BT CASE **WEIGHT: 5 LBS.**

DC OUTPUT, AC INPUT, DVP (OPT), .188 DIA. MTG. HOLES (16 PL)

	INCH	mm
A	10.25	260.35
B	9.250	234.95
C	0.50	12.70
D	4.00	101.60
E	3.375	85.73
F	0.37	9.40
G	1.250	31.75
H	0.75	19.05
J	0.450	11.43
K	2.50	63.50

OVERALL SIZE
10.25" x 4.00" x 2.95"

CT CASE **WEIGHT: 8 LBS.**

DC OUTPUT, AC INPUT, DVP (OPT), .188 DIA. MTG. HOLES (16 PL)

	INCH	mm
A	11.00	279.40
B	7.50	190.50
C	3.00	76.20
D	4.87	123.70
E	4.125	104.78
F	0.50	12.70
G	1.250	31.75
H	0.75	19.05
J	0.525	13.34
K	2.75	69.85

OVERALL SIZE
11.00" x 4.87" x 3.28"

DT CASE **WEIGHT: 7.5 LBS.**

AC INPUT, DVP (OPT), DC OUTPUT, .188 DIA. MTG. HOLES (16 PL)

	INCH	mm
A	9.00	228.60
B	8.000	203.20
C	0.50	12.70
D	4.87	123.70
E	4.125	104.78
F	1.250	31.75
G	2.75	69.85
H	0.75	19.05
J	0.525	13.34

OVERALL SIZE
9.00" x 4.87" x 3.28"

FT CASE **WEIGHT: 12 LBS.**

DC OUTPUT, DVP (OPT), AC INPUT, .188 DIA. MTG. HOLES (16 PL)

	INCH	mm
A	15.00	381.00
B	14.00	355.60
C	4.88	123.95
D	4.13	104.90
E	3.75	95.25
F	2.50	63.50
G	0.50	12.70
H	0.80	20.32

OVERALL SIZE
15.00" x 4.88" x 4.55"

DC Power Supply - Linear Regulated Series: BVA (240/480V Input)

- 240/480 VAC input; 50/60 HZ
- Output is regulated DC power
- Up to 720 watts regulated output
- MTBF over 250,000 hours
- Low radio interference
- Output ripple as low as 2mV RMS
- Standard overload protection
- Standard reverse polarity protection
- Standard short circuit protection
- Standard remote and local sense (most models)
- Vibration and shock per MIL-STD-810B
- Two year warranty



This latest addition to our Power Supply Line has been introduced after much demand. Endless applications will be more cost effective with DC power attainable directly from your high line. All power supplies listed here have an input voltage of 240/480 VAC

Value Added Options Include:

- Screw terminal block
- Overvoltage protection (standard on 5 volt models)
- Mounting spacers
- Input fuse

Specifications:

AC Input: 240/480 VAC +/-10%, 47-63Hz. See chassis ID label for jumper and line fusing requirements.

DC Output: See Selection Guide for voltage/current ratings.

The output is floating; either positive or negative terminal can be grounded. Output adjustment range is +/-10%, except variable 10-18V outputs.

Line Regulation: +/-0.05% for 10% line change.

Load Regulation: +/-0.05% for 50% load change.

Thermal Regulation: +/-0.02% per °C maximum, +/-0.005% per °C typical

Output Ripple: 2mV rms maximum, 3mV P-P.

Dynamic Response: 30 microseconds for 50% load change.

Stability: +/-0.3% for 24 hour period after 1 hour warm-up.

Short Circuit and Overload Protection: Foldback current limiting, set at 120% of nominal

Overvoltage Protection: Crowbar overvoltage protection is standard on all 5 VDC main outputs and is factory set at 6.2V +/-0.4V (fixed). Optional universal OVP module adjustable from 4.5 to 36V is available for other models.

Remote Sensing: Standard on all outputs above 30 watts. Remote sense will compensate for a cable drop of 0.25V.

Protected against open or shorted sense leads. Twisted pair sense leads are recommended.

Efficiency: 5V units: 45%; 12 and 15V units: 55% 24V and higher units: 60%.

Operating Temperature: 0°C to 50°C full rated load, derate linearly to 40% at 70°C.

Storage Temperature: -55°C to +85°C.

Vibration: Per MIL-STD-810B, method 514, procedure 1, curve AB (to 50Hz).

Shock: Per MIL-STD-810B, method 516, procedure V.

Safety Standards: Designed to meet safety regulations of UL, CSA, VDE, CE and other international standards.

Finish: Clear aluminum chassis. Chassis also serve as heat sink.

Mounting: Units can be mounted on several surfaces. Mounting holes will accept press fit # 6-32 threaded fasteners. For efficient cool, allow unrestricted airflow. Forced air cooling may be recommended.

Selection Guide

Part Number	Case Size	Input (VAC)	Output (VDC)
BVA-5CS9-OVP-480	CS	240/480	5 @ 9.0A
BVA-5DS12-OVP-480	DS	240/480	5 @ 12A
BVA-5ES18-OVP-480	ES	240/280	5 @ 18A
BVA-5FS25-OVP-480	FS	240/480	5 @ 25A
BVA-12CS5.1-480	CS	240/480	12 @ 5.1A
BVA-12DS6.8-480	DS	240/480	12 @ 6.8A
BVA-12ES10.2-480	ES	240/480	12 @ 10.2A
BVA-12FS16-480	FS	240/480	12 @ 16A
BVA-15CS4.5-480	CS	240/480	15 @ 4.5A
BVA-15DS6-480	DS	240/480	15 @ 6A
BVA-15ES9-480	ES	240/480	15 @ 9A
BVA-15FS15-480	FS	240/480	15 @ 15A

Part Number	Case Size	Input (VAC)	Output (VDC)
BVA-24CS3.6-480	CS	240/480	24 @ 3.6A
BVA-24DS4.8-480	DS	240/480	24 @ 4.8A
BVA-24ES7.2-480	ES	240/280	24 @ 7.2A
BVA-24FS12-480	FS	240/480	24 @ 12A
BVA-28CS3-480	CS	240/480	28 @ 3A
BVA-28DS4-480	DS	240/480	28 @ 4A
BVA-28ES6-480	ES	240/480	28 @ 6A
BVA-28FS10-480	FS	240/480	28 @ 10A
BVA-48DS3-480	DS	240/480	48 @ 3A
BVA-48ES4-480	ES	240/480	48 @ 4A
BVA-48FS8-480	FS	240/480	48 @ 8A

Options:

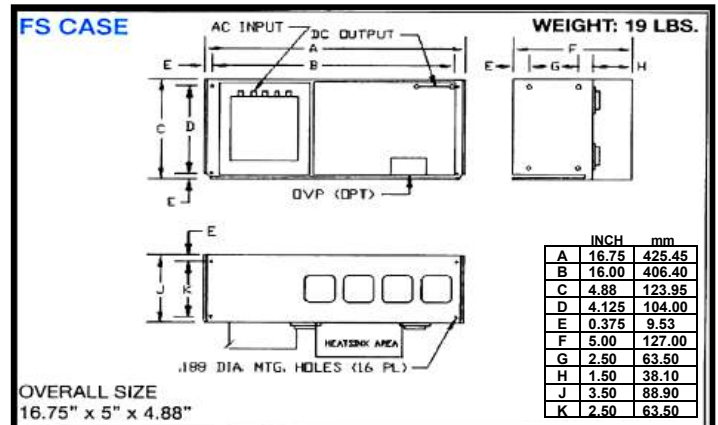
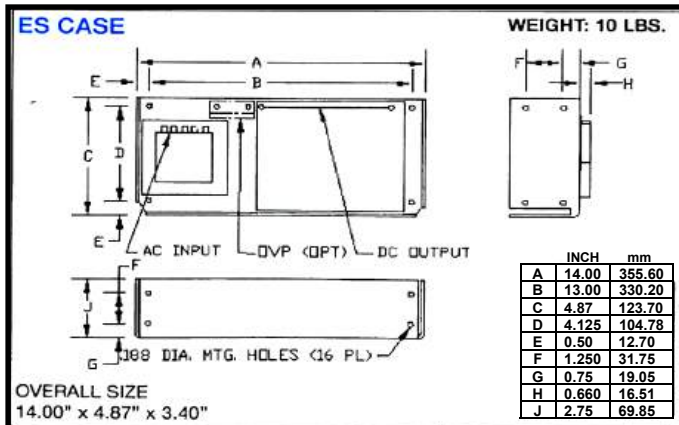
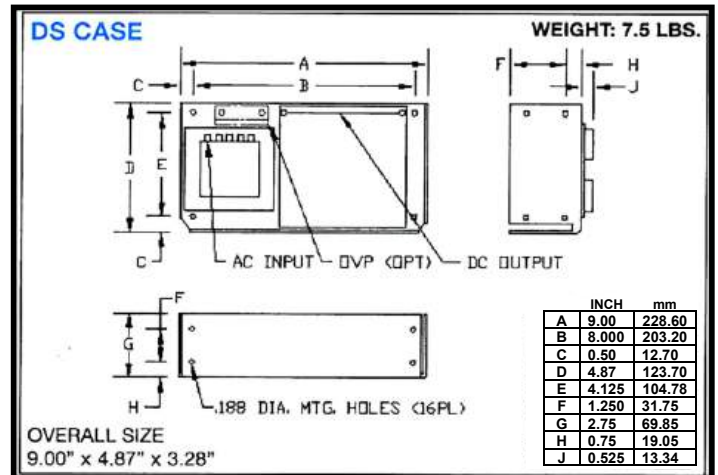
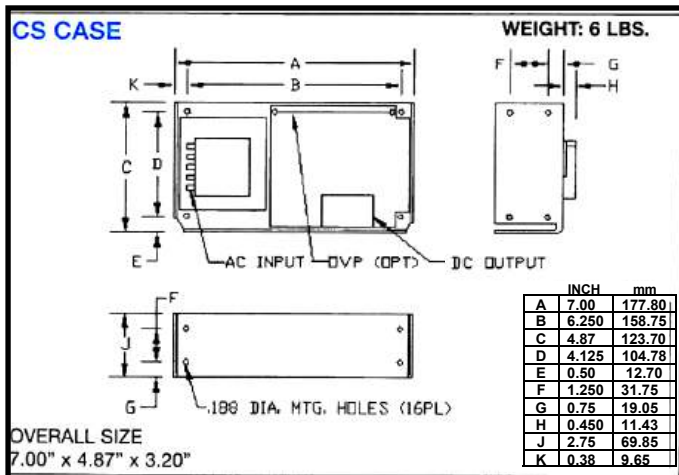
Screw Terminals (T): Solder terminals standard. Add T for screw terminals, 20A/300V

Overvoltage Protection (OVP): OVP is standard on all 5V main outputs. Add OVP to part number for individual OVP module on other models up to 36VDC outputs.

Mounting Spacers (S): For mounting spacers on any one surface add 'S' to part number. Not available on FS and GS case sizes.

Input Fuse (F): For input fuse and fuse holder add F to part number.

DIMENSIONS



Any application, Any requirement, Contact us for our Custom Designs

DC Power Supply - Unregulated (Open Frame) Series: BVU

- Low cost unregulated DC power supplies
- Field selectable input taps 103/115/126/207/230/253 VAC
VAC for fine-tuning output to match actual field conditions
- Improved ripple –3% maximum
- Fuse protected output
- Computer grade capacitors
- Floating output provides versatility for wiring
- Up to 1000 watts unregulated output



Agency Approvals:

- UL File # E181899
- CE Marked



The BVU Series

The BVU Series or unregulated DC power supplies is the best low cost Alternative, where moderate output variations and AC ripple are acceptable. The field selectable input taps allow fine tuning the out put voltage to match actual field conditions. The DC output is fused for short circuit protection. For maximum versatility, the output is floating and may be referenced to Another low voltage common ground or placed in series with other DC power supplies.

Applications:

- DC Motors - Stepping and Servos
- Solenoid Valves
- Relays
- Lamps and Signal Systems
- Input to 3-terminal on-board regulators
- Drive Controls

Tap (VAC)	Nominal (VAC)	High Line (VAC)
115,-10%	103.5	113.9
115,NOM	115	126.5
115,+10%	126.5	139.2
230,-10%	207	227.7
230,NOM	230	253.0
230,+10%	253	278.3

Input Connections For BVU Series						
INPUT VAC	103.5	115	126.5	207	230	253
JUMPER	1-5 2-6	1-5 3-7	1-5 4-8	2-5	3-5	4-5
INPUT APPLY	1-2	1-3	1-4	1-6	1-7	1-8
FUSE AT	See Unit ID Label					

Specifications:

AC Input:

115/230VAC, 50/60Hz nominal.

DC Output:

Floating fixed output at full load ratings (see table). Transformer taps provided for approx. 10% output voltage adjustment.

Ripple:

3% r.m.s maximum at nominal line and full rated load.

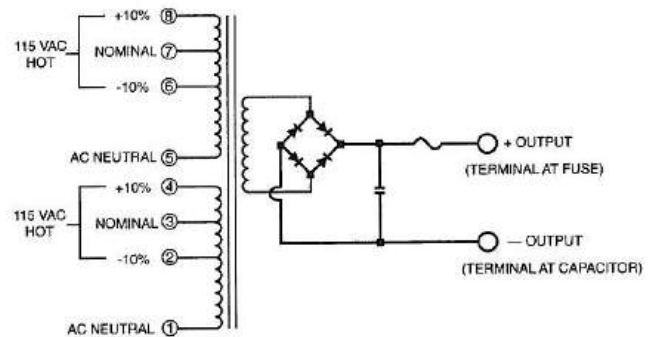
Operating Temperature:

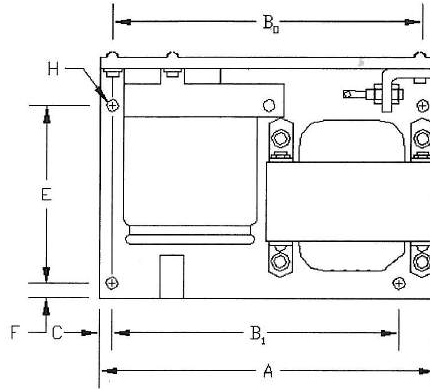
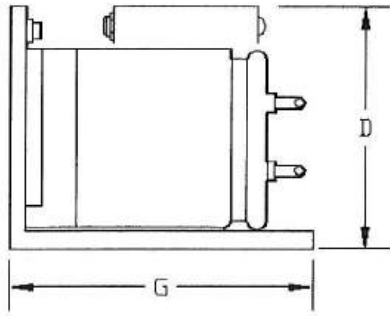
0-50°C (Derate 2% per °C to 70°C)

Overload and Short Circuit Protection:

Fused output. It should be noted that the fuse is not necessarily direct in line with the output. In most models the fuse is prior to the output capacitor and in case of a short circuit, the capacitor energy will be discharged into the load even if the fuse has opened.

Schematic shows transformer taps provided for approx. +/-10% output voltage adjustment. Typical full load output voltage at 115VAC input using taps 1 and 3. For 10% higher output voltage use taps 1 and 2. For 10% lower output voltage use taps 1 and 4.





Dimensions										
Case Size	A	Bo	B1	C	D	E	F	G	H (dia)	Wt. (lbs)
AU	4.62	4.00	NA	.31	2.09	1.60	.31	2.75	.20	1.7
BU	5.88	5.38	NA	.25	2.72	2.19	.31	3.25	.22	2.6
CU	6.25	5.65	5.15	.25	3.00	2.73	.35	3.71	.22	4.0
DU	7.12	6.42	5.87	.35	3.25	2.88	.30	4.00	.22	6.7
EU	8.10	7.50	6.90	.25	3.88	3.80	.30	5.00	.26	12.2
FU	9.00	8.24	NA	.35	4.62	2.50	1.56	5.62	.28	20.0
GU	9.50	8.50	NA	.50	5.56	6.62	.50	8.00	.28	28.5

Part Number	Typical DC Output (@ nominal input and full load)	Part Number	Typical DC Output (@ nominal input and full load)
BVU-7AU1.8	7.5V @ 1.8A	BVU-7DU10	8.5V @ 10A
BVU-12AU1.2	11V @ 1.2A	BVU-12DU7	12.5V @ 7A
BVU-16AU0.9	17V @ 0.9A	BVU-16DU6	17V @ 6A
BVU-20AU0.75	19.8V @ 0.75A	BVU-20DU5	19.48V @ 5A
BVU-24AU0.6	25V @ 0.6A	BVU-24DU3.5	25.5V @ 3.5A
BVU-48AU0.3	48V @ 0.3A	BVU-48DU1.8	48V @ 1.2A
BVU-120AU0.12	113V @ 0.12A	BVU-7EU20	9V @ 20A
BVU-250AU0.05	247V @ 0.05A	BVU-12EU15	12.4V @ 15A
BVU-7BU3	7.5V @ 3A	BVU-16EU12.5	16.5V @ 12.5A
BVU-12BU2.4	12V @ 2.4A	BVU-20EU10	20V @ 10A
BVU-16BU1.8	16V @ 1.8A	BVU-24EU7.5	27.5V @ 7.5A
BVU-20BU1.5	19.8V @ 1.5A	BVU-45EU6	45V @ 6.0A
BVU-24BU1.2	26.5V @ 1.2A	BVU-48EU4	47V @ 4A
BVU-48BU0.6	48V @ 0.6A	BVU-72EU3	72V @ 3A
BVU-120BU0.25	120V @ 0.25A	BVU-24FU20	24.6V @ 20A
BVU-250BU0.1	248V @ 0.1A	BVU-45FU12	45V @ 12A
BVU-7CU6	7.5V @ 6A	BVU-48FU10	48.4V @ 10A
BVU-12CU4.8	12V @ 4.8A	BVU-75FU5	75V @ 5A
BVU-16CU3.6	16V @ 3.6A	BVU-24GU30	24.6V @ 30A
BVU-20CU3	19.8V @ 3A	BVU-48GU15	48V @ 15A
BVU-24CU2.4	26.5V @ 2.4A	BVU-65GU15	65V @ 15A
BVU-48CU1.2	48V @ 1.2A	BVU-75GU10	75V @ 10A

Any application, Any requirement, Contact us for our Custom Designs

DC Power Supply - StepperPower™ Series: STP

- Fully compatible with Applied Motion Products (and other) stepping motor drivers
- Integral motor (35Vdc) and logic (5Vdc ±5%) power
- Space saving compact modules provide mounting studs for motor drivers
- Dual 120/240V switch-selectable input voltage
- Up to 500 watts regulated output
- Power-on LEDs, screw terminal connections
- Ideal for use with A.M.P. step motor drives 1335, 2035, 2035 O, 3535, 3535 O, 3540M or 3540MO.

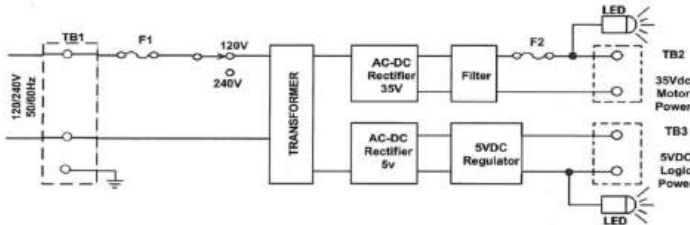


Agency Approvals:

- UL File # E181899
- CE Marked

Description:

The STP series of power supplies provide unregulated DC voltage for motor power and tightly regulated 5Vdc power for logic circuitry. They are especially suitable for Applied Motion's step motor drives model numbers 1335, 2035 O, 3535, 3535 O, 3540M or 3540MO. The PC board and transformer are assembled on L-shaped aluminum chassis with threaded (# 6-32) PEM nuts provided on the side for the mounting drive module, thus making an integral power and driver unit. LED's indicate the power-on status of the motor and logic outputs. Input and motor output are fuse protected to avoid damage due to short circuits. The 5V logic output is electronically protected for overload and short circuit. The input is easily set to 120V or 240V with a slide switch provided on the PC board.



Specification:

Input Power: 120/240VAC ± 10%, 50/60Hz. Switch selectable. Factory set at 240V input.

Inrush Current: Estimated 12A at 120V and 15A at 240V.

Connections: Screw terminals.

Storage Temperature: -55°C to + 85°C.

Operating Temperature: 0-50°C at full rated load, derate linearly 20% up to 70°C maximum.

Humidity: 95% Non-condensing relative humidity maximum.

Cooling Method: Natural convection; allow unrestricted air flow for optimum operation.

Mounting: 4 each 0.213dia holes, use #8 or #10 screws; clear anodized chassis.

Agency Approvals: UL, CSA approved; CE marked.

Output:

— Motor Power

STP-35AMP2.5: 35Vdc @ 2.5A Full Load (No Load 42Vdc)

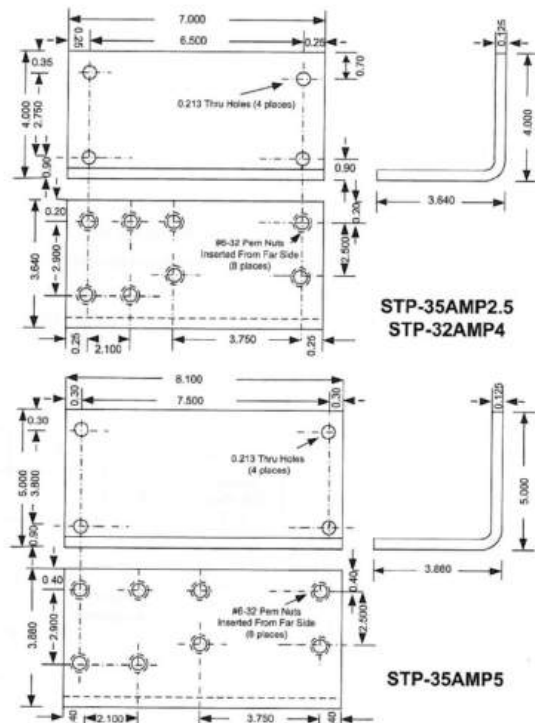
STP-32AMP4: 32Vdc @ 4.0A Full Load (No Load 42Vdc)

STP-35AMP5: 35Vdc @ 5.0A Full Load (No Load 42Vdc)

— Logic Power

5VDC ± 5% @ 500mA, regulated, electronically overload/short circuit protected.

Dimension Drawing: (All dimensions in inches)



VA Rating	Part No	Approximate No Load (VDC)	Approximate Under Load (VDC)	Logic Power
128	STP-32XXX4	42V	32V @ 4A	5V ± 5% @ 500mA
88	STP-35XXX2.5	42V	35V @ 2.5A	5V ± 5% @ 500mA
175	STP-35XXX5	42V	35V @ 5A	5V ± 5% @ 500mA
240	STP-48XXX5	58V	48V @ 5A	5V ± 5% @ 500mA
480	STP-48XXX10	58V	48V @ 10A	5V ± 5% @ 500mA
350	STP-70XXX5	87V	70V @ 5A	5V ± 5% @ 500mA

Any application, Any requirement, Contact us for our Custom Designs

DC Power Supply - Unregulated Series: BVU

- Fully compatible with Pacific Scientific (and other) stepping motor drivers series 5200, 5300, 5400, 6400.
- Space saving compact modules provide mounting studs for motor drivers
- Integral motor and logic-power (where applicable).
- Models to drive one or two motors
- 120VAC or 240VAC models; input taps to match actual line Voltages
- Up to 700 watts regulated output
- Custom units available.

Agency Approvals BVU Series:

- UL File # E181899
- CE Marked



The StepperPower™

The StepperPower™, Series BVU6000, is an integral power supply module especially designed to operate stepping motors. Motor and logic power supplies are both incorporated in one package (when applicable). Models are available to drive one or two motors. The single driver models are assembled on an L-shaped chassis and threaded (#6-32) PEM nuts to mount motor driver. The dual driver models feature a U-shaped chassis wire threaded (#6-32) PEM Nuts on both sides to mount two motor drivers. This makes it an integral space saving unit eliminating the need for installing and wiring different pieces.

Integral Motor And Logic Power Supplies

The motor and logic power supplies required to operate the stepping motors and associated control logic are both incorporated in one unit. This eliminates the need to install and wire two different power supplies to a separately mounted driver modules. The motor power is unregulated DC voltage; while the logic power is a fully regulated DC output that is maintained within tight regulation ($\pm 0.25V$) over a large range of input AC voltage.

Models To Drive One Or Two Motors

The single motor drivers are commonly used. However, in a multi-axis control application, the dual driver models are a very cost effective and space saving alternative. In the single as well as dual driver models, the voltage and current ratings are provided to allow maximum motor torque without exceeding the safe operating voltage and current limits. When operating two drivers from one power supply, the effect of regenerative energy must be considered to assure safe operation of the drivers.

Space Saving Compact Power Module Provides Mounting Studs For Motor Drivers

The StepperPower™ modules, series BVU6000, feature a transformer with high efficiency and excellent regulation that assures a compact physical size. They are assembled on space saving L- or U- shaped chassis. PEM nuts for mounting the driver modules are provided on one side of the L-bracket and on both sides of the U-chassis. Once the drivers are mounted on the power module, they become fully self-contained units without any need of external components. The outputs are lead wires that can be wired directly to the screw terminal connector available on the driver modules. This simplifies the installation and saves wiring time.

Input Taps To Match Actual Line Voltages

As the motor power is unregulated, it tends to vary with the input line voltage. For example, if a high line is applied at the 120VAC tap, the motor output voltage may exceed the safe operating limit of the driver and cause damage. The taps are provided so that in high line locations, the output voltage can be kept within the safe operating limit by using the corresponding tap. The logic power is regulated and is not affected by the input line voltage over a wide range (95V AC to 135V AC when connected to 120V AC tap).

Custom Designs To Match Other Applications

PowerVolt will design any other custom units to match your application. Please call us for quotes.

Specifications:

Input Power: 120V AC, 50/60Hz nominal; taps at 126V AC and 132 VAC (optional 240V AC input with taps at 252V AC and 264V AC)

Output Power: See table at the right

Output Ripple: 3% r.m.s. maximum at nominal line and full rated load

Operating Temp.: 0°C to 50°C full rated load

(derate 2% per °C to 70°C)

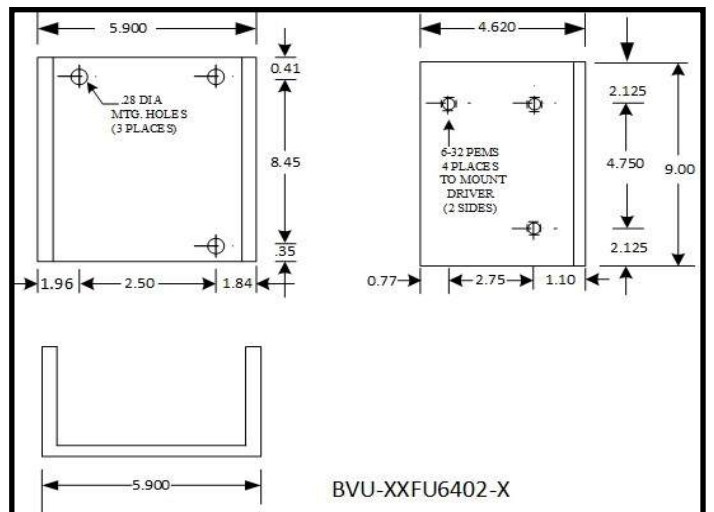
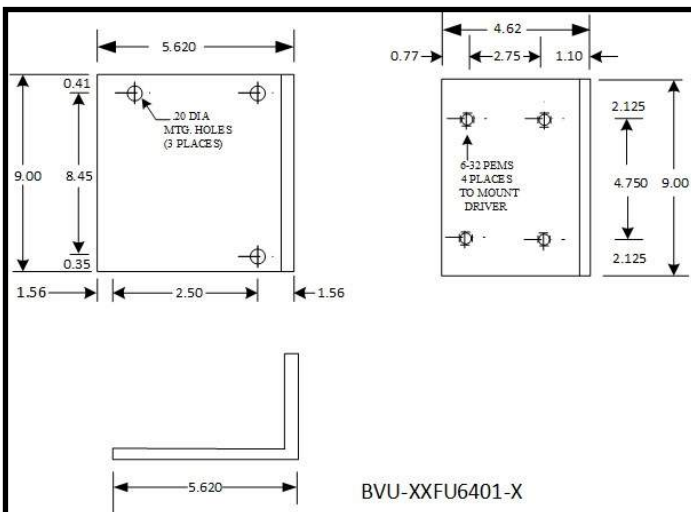
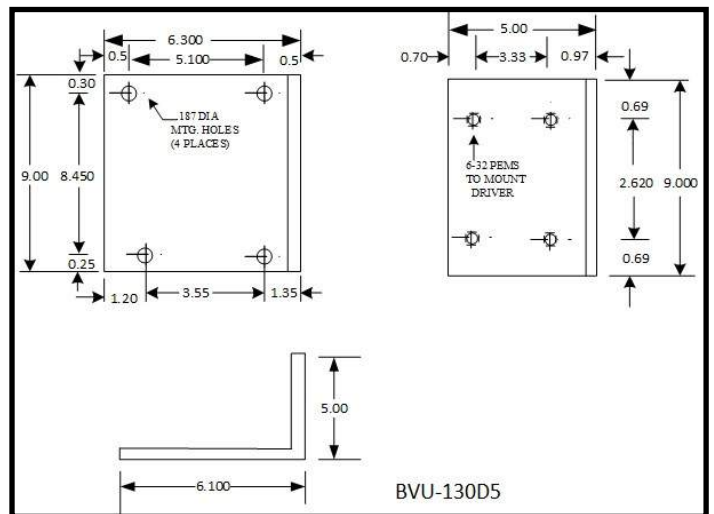
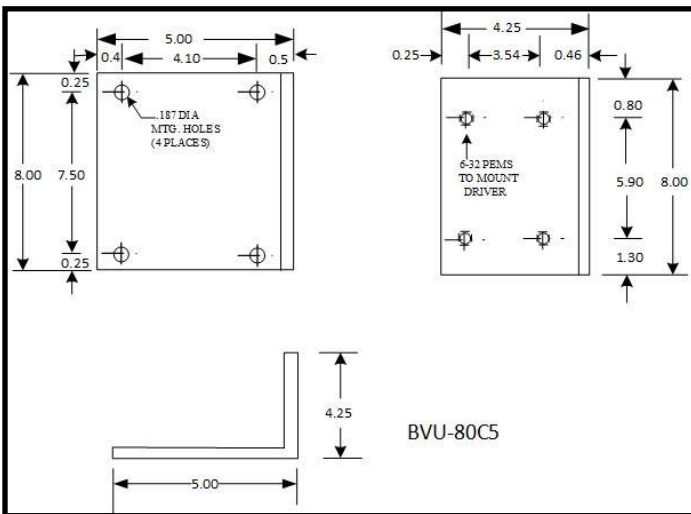
Storage Temp.: (-)25°C to 85°C

Humidity: 95% Non-condensing

Logic Power: ±0.25V AC Regulation

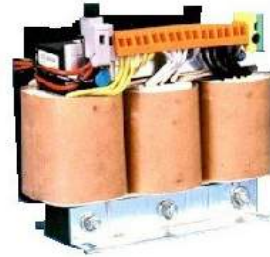
MODEL*	MOTOR POWER		LOGIC POWER
	Approximate No Load (VDC)	Approximate Under Load (VDC)	Regulated (VDC)
BVU75FU6401-1	70V	62V @ 5A	None
BVU75FU6402-1	70V	2 x 62V @ 5A	None
BVU48FU6401-1	57V	48V @ 5A	None
BVU48FU6402-1	57V	2 X 48V @ 5A	None
BVU24FU6401-1	29V	24V @ 5A	None
BVU24FU6402-1	29V	2 X 24V @ 5A	None
BVU80C5	88V	80V @ 5A	None
BVU80D8	88V	80V @ 8A	None
BVU130D5	133V	122V @ 5A	None

* Suffix *-1 specifies 120VAC Input



DC Power Supply - Three Phase Open Frame Series: BVZ

- **Unregulated DC Output**
- **480V, 3-phase input eliminates need for step-down transformer**
- **Field selectable 430/460/480/500/530V input taps**
- **Finger-safe and creepage-proof screw terminal Connections**
- **Up to 800 watts unregulated output**



The three phase open frame DC Power Supplies, Series BVZ, features and economical design to provide DC power source from a three phase line input of 480VAC±10%. Direct connection to the high voltage line eliminates the requirement for a step-down control transformer, making the overall project more economical and compact in physical size. Separate primary and secondary windings provide good isolation between the line and load sides.

For enhanced protection rating of the Series BVZ transformers, all connections are made through the creepage-proof terminals with screw and tab connection. The terminals are protected against finger touch or contact with the back of the hand in accordance with the Accident Prevention Regulations (VBG4).

Specifications:

AC Input:

430/460/480/500/530 VAC, 3 phase, 50/60Hz

DC Output:

24V DC, current rating see chart

Ripple:

5%rms maximum at nominal line and full load

Operating Temperature:

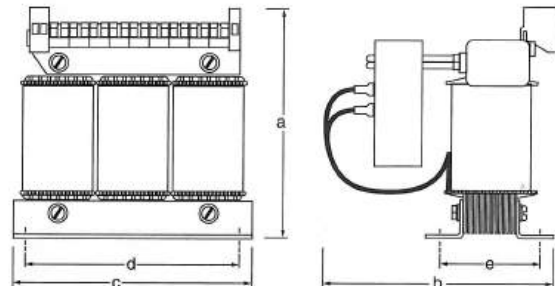
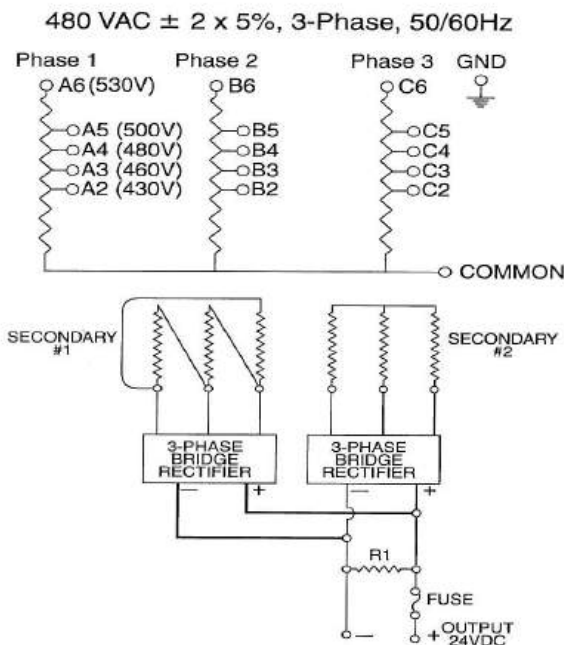
0°C to 40°C full rated load (derate 2% per °C to 70°C)

Overload and Short Circuit Protection:

Fused output

Applications:

- **DC Motors - Stepping and Servos**
- **Solenoid Valves**
- **Relays**
- **Lamps and Signal Systems**
- **Input to On-Board Regulators**
- **Drive Controls**



DC Power Supply - Three Phase Open Frame
Series: BVZ

Part No.	Case Size	Output	Approx. Dimensions (inches)					Weight (lbs.)
			a	b	c	d	e	
BVZ-24TA5	TA	24V @ 5A	7.00	6.00	8.00	5.00	2.37	11
BVZ-24TB10	TB	24V @ 10A	7.00	6.50	8.00	5.00	2.87	15.5
BVZ-24TC15	TC	24V @ 15A	8.37	6.00	9.00	6.75	2.75	18
BVZ-24TD20	TD	24V 20A	8.37	6.50	9.00	6.75	3.12	24
BVZ-24TE25	TE	24V @ 25A	8.37	6.50	9.00	6.75	3.12	26
BVZA-24TF30	TF	24V @ 30A	8.37	6.50	9.00	6.75	3.12	28

Any application, Any requirement, Contact us for our Custom Designs

International Power Transformer
Series: SPW / IP - Printed Circuit Mount

Cross References

Wabash	PowerVolt	Prem	Tamura	Signal	Premier	Thordarson	Triad	Hammond	Stancor	MCI	Ensign
VDE-025P-10	14P-2.5R-10	SPW-1000	PL2.5-10-130B	14A-2.5R-10	PVD-102	TIPC-10-2.5	VPP-10-250	183E10	NA	4-44-3010	IP002-2-010
VDE-025P-12	14P-2.5R-12	SPW-1001	PL2.5-12-130B	14A-2.5R-12	PVD-122	TIPC-12-2.5	VPP-12-200	183E12	NA	4-44-3012	IP002-2-012
VDE-025P-16	14P-2.5R-16	SPW-1002	PL2.5-16-130B	14A-2.5R-16	PVD-162	TIPC-16-2.5	VPP-16-150	183E16	NA	4-44-3016	IP002-2-016
VDE-025P-20	14P-2.5R-20	SPW-1003	PL2.5-20-130B	14A-2.5R-20	PVD-202	TIPC-20-2.5	VPP-20-120	183E20	NA	4-44-3020	IP002-2-020
VDE-025P-24	14P-2.5R-24	SPW-1004	PL2.5-24-130B	14A-2.5R-24	PVD-242	TIPC-24-2.5	VPP-24-100	183E24	NA	4-44-3024	IP002-2-024
VDE-025P-28	14P-2.5R-28	SPW-1005	PL2.5-28-130B	14A-2.5R-28	PVD-282	TIPC-28-2.5	VPP-28-090	183E28	NA	4-44-3028	IP002-2-028
VDE-025P-36	14P-2.5R-36	SPW-1006	PL2.5-36-130B	14A-2.5R-36	PVD-362	TIPC-36-2.5	VPP-36-070	183E36	NA	4-44-3036	IP002-2-036
VDE-05P-10	14P-5.0R-10	SPW-1100	PL5.0-10-130B	14A-5.0R-10	PVD-105	TIPC-10-5	VPP-10-500	183F10	TG05-10	4-44-4010	IP005-2-010
VDE-05P-12	14P-5.0R-12	SPW-1101	PL5.0-12-130B	14A-5.0R-12	PVD-125	TIPC-12-5	VPP-12-400	183F12	TG05-12	4-44-4012	IP005-2-012
VDE-05P-16	14P-5.0R-16	SPW-1102	PL5.0-16-130B	14A-5.0R-16	PVD-165	TIPC-16-5	VPP-16-300	183F16	TG05-16	4-44-4016	IP005-2-016
VDE-05P-20	14P-5.0R-20	SPW-1103	PL5.0-20-130B	14A-5.0R-20	PVD-205	TIPC-20-5	VPP-20-250	183F20	TG05-20	4-44-4020	IP005-2-020
VDE-05P-24	14P-5.0R-24	SPW-1104	PL5.0-24-130B	14A-5.0R-24	PVD-245	TIPC-24-5	VPP-24-210	183F24	TG05-24	4-44-4024	IP005-2-024
VDE-05P-28	14P-5.0R-28	SPW-1105	PL5.0-28-130B	14A-5.0R-28	PVD-285	TIPC-28-5	VPP-28-180	183F28	TG05-28	4-44-4028	IP005-2-028
VDE-05P-36	14P-5.0R-36	SPW-1106	PL5.0-36-130B	14A-5.0R-36	PVD-365	TIPC-36-5	VPP-36-140	183F36	TG05-36	4-44-4036	IP005-2-036
VDE-10P-10	14P-10R-10	SPW-1200	PL10-10-130B	14A-10R-10	PVD-1010	TIPC-10-10	VPP-10-1000	183G10	TG10-10	4-44-5010	IP010-2-010
VDE-10P-12	14P-10R-12	SPW-1201	PL10-12-130B	14A-10R-12	PVD-1210	TIPC-12-10	VPP-12-800	183G12	TG10-12	4-44-5012	IP010-2-012
VDE-10P-16	14P-10R-16	SPW-1202	PL10-16-130B	14A-10R-16	PVD-1610	TIPC-16-10	VPP-16-620	183G16	TG10-16	4-44-5016	IP010-2-016
VDE-10P-20	14P-10R-20	SPW-1203	PL10-20-130B	14A-10R-20	PVD-2010	TIPC-20-10	VPP-20-500	183G20	TG10-20	4-44-5020	IP010-2-020
VDE-10P-24	14P-10R-24	SPW-1204	PL10-24-130B	14A-10R-24	PVD-2410	TIPC-24-10	VPP-24-420	183G24	TG10-24	4-44-5024	IP010-2-024
VDE-10P-28	14P-10R-28	SPW-1205	PL10-28-130B	14A-10R-28	PVD-2810	TIPC-28-10	VPP-28-360	183G28	TG10-28	4-44-5028	IP010-2-028
VDE-10P-36	14P-10R-36	SPW-1206	PL10-36-130B	14A-10R-36	PVD-3610	TIPC-36-10	VPP-36-280	183G36	TG10-36	4-44-5036	IP010-2-036
VDE-20P-10	14P-20-10	SPW-1300	PL20-10-130B	14A-20-10	PVD-1020	TIPC-20-10	VPP-10-2000	183H10	TG20-10	4-44-6010	IP020-2-010
VDE-20P-12	14P-20-12	SPW-1301	PL20-12-130B	14A-20-12	PVD-1220	TIPC-12-20	VPP12-1600	183H12	TG20-12	4-44-6012	IP020-2-012
VDE-20P-16	14P-20-16	SPW-1302	PL20-16-130B	14A-20-16	PVD-1620	TIPC-16-20	VPP16-1250	183H16	TG20-16	4-44-6016	IP020-2-016
VDE-20P-20	14P-20-20	SPW-1303	PL20-20-130B	14A-20-20	PVD-2020	TIPC-20-20	VPP20-1000	183H20	TG20-20	4-44-6020	IP020-2-020
VDE-20P-24	14P-20-24	SPW-1304	PL20-24-130B	14A-20-24	PVD-2420	TIPC-24-20	VPP24-830	183H24	TG20-24	4-44-6024	IP020-2-024
VDE-20P-28	14P-20-28	SPW-1305	PL20-28-130B	14A-20-28	PVD-2820	TIPC-28-20	VPP28-720	183H28	TG20-28	4-44-6028	IP020-2-028
VDE-20P-36	14P-20-36	SPW-1306	PL20-36-130B	14A-20-36	PVD-3620	TIPC-36-20	VPP36-560	183H36	TG20-36	4-44-6036	IP020-2-036
VDE-30LP-10	14P-30-10	NA	PL30-10-130B	14A-30-10	NA	NA	VPP10-3000	183J10	TG30-10	4-44-7010	IP030-2-010
VDE-30LP-126	14P-30-12	NA	PL30-12-130B	14A-30-12	NA	NA	VPP12-2400	183J12	TG30-12	4-44-7012	IP030-2-012
VDE-30LP-16	14P-30-16	NA	PL30-16-130B	14A-30-16	NA	NA	VPP16-1900	183J16	TG30-16	4-44-7016	IP030-2-016
VDE-30LP-20	14P-30-20	NA	PL30-20-130B	14A-30-20	NA	NA	VPP20-1500	183J20	TG30-20	4-44-7020	IP030-2-020
VDE-30LP-24	14P30-24	NA	PL30-24-130B	14A-30-24	NA	NA	VPP24-1250	183J24	TG30-24	4-44-7024	IP030-2-024
VDE-30LP-28	14P-30-28	NA	PL30-28-130B	14A-30-28	NA	NA	VPP28-1060	183J28	TG30-28	4-44-7028	IP030-2-028
VDE-30LP-36	14P-30-36	NA	PL30-36-130B	14A-30-36	NA	NA	VPP36-820	183J36	TG30-36	4-44-7036	IP030-2-036
VDE-56LP-10	14P-56-10	NA	PL56-10-130B	14A-56-10	NA	NA	VPP10-5600	183K10	TG56-10	4-44-8010	IP056-2-010
VDE-56LP-126	14P-56-12	NA	PL56-12-130B	14A-56-12	NA	NA	VPP12-4400	183K12	TG56-12	4-44-8012	IP056-2-012
VDE-56LP-16	14P-56-16	NA	PL56-16-130B	14A-56-16	NA	NA	VPP16-3500	183K16	TG56-16	4-44-8016	IP056-2-016
VDE-56LP-20	14P-56-20	NA	PL56-20-130B	14A-56-20	NA	NA	VPP20-2800	183K20	TG56-20	4-44-8020	IP056-2-020
VDE-56LP-24	14P-56-24	NA	PL56-24-130B	14A-56-24	NA	NA	VPP24-2330	183K24	TG56-24	4-44-8024	IP056-2-024
VDE-56LP-28	14P-56-28	NA	PL56-28-130B	14A-56-28	NA	NA	VPP28-2000	183K28	TG56-28	4-44-8028	IP056-2-028
VDE-56LP-36	14P-56-36	NA	PL56-36-130B	14A-56-36	NA	NA	VPP36-1560	183K36	TG56-36	4-44-8036	IP056-2-036

**International Power Transformer
Series: IT - Quick-Connect Terminals**

Cross References

Wabash	PowerVolt	Signal	Triad	Hammond	Thordarson	MCI	Renco	Ensign
VDE-25T-10	P41-25-10	A41-25-10	VPS10-2500	185C10	TIVL-10-25	4-49-4010	RL-2260-25-10	IT025-2-010
VDE-43T-10	P41-43-10	A41-43-10	VPS10-4300	185D10	TIVL-10-43	4-49-5010	RL-2260-43-10	IT043-2-010
VDE-80T-10	P41-80-10	A41-80-10	VPS10-8000	185E10	TIVL-10-80	4-49-6010	RL-2260-80-10	IT080-2-010
VDE-130T-10	P41-130-10	A41-130-10	VPS10-13000	185F10	TIVL-10-130	4-49-7010	RL-2260-130-10	IT130-2-010
VDE-175T-10	P41-175-10	A41-175-10	VPS10-17500	185G10	TIVL-10-175	4-49-8010	RL-2260-175-10	IT175-2-010
VDE-25T-126	P41-25-12	A41-25-12	VPS12-2000	185C12	TIVL-12-25	4-49-4012	RL-2260-25-12	IT025-2-012
VDE-43T-126	P41-43-12	A41-43-12	VPS12-3400	185D12	TIVL-12-43	4-49-5012	RL-2260-43-12	IT043-2-012
VDE-80T-126	P41-80-12	A41-80-12	VPS12-6300	185E12	TIVL-12-80	4-49-6012	RL-2260-80-12	IT080-2-012
VDE-130T-126	P41-130-12	A41-130-12	VPS12-10300	185F12	TIVL-12-130	4-49-7012	RL-2260-130-12	IT130-2-012
VDE-175T-126	P41-175-12	A41-175-12	VPS12-14000	185G12	TIVL-12-175	4-49-8012	RL-2260-175-12	IT175-2-012
VDE-25T-16	P41-25-16	A41-25-16	VPS16-1600	185C16	TIVL-16-25	4-49-4016	RL-2260-25-16	IT025-2-016
VDE-43T-16	P41-43-16	A41-43-16	VPS16-2700	185D16	TIVL-16-43	4-49-5016	RL-2260-43-16	IT043-2-016
VDE-80T-16	P41-80-16	A41-80-16	VPS16-5000	185E16	TIVL-16-80	4-49-6016	RL-2260-80-16	IT080-2-016
VDE-130T-16	P41-130-16	A41-130-16	VPS16-8100	185F16	TIVL-16-130	4-49-7016	RL-2260-130-16	IT130-2-016
VDE-175T-16	P41-175-16	A41-175-16	VPS16-11000	185G16	TIVL-16-175	4-49-8016	RL-2260-175-16	IT175-2-016
VDE-25T-20	P41-25-20	A41-25-20	VPS20-1250	185C20	TIVL-20-25	4-49-4020	RL-2260-25-20	IT025-2-020
VDE-43T-20	P41-43-20	A41-43-20	VPS20-2200	185D20	TIVL-20-43	4-49-5020	RL-2260-43-20	IT043-2-020
VDE-80T-20	P41-80-20	A41-80-20	VPS20-4000	185E20	TIVL-20-80	4-49-6020	RL-2260-80-20	IT080-2-020
VDE-130T-20	P41-130-20	A41-130-20	VPS20-6500	185F20	TIVL-20-130	4-49-7020	RL-2260-130-20	IT130-2-020
VDE-175T-20	P41-175-20	A41-175-20	VPS20-8800	185G20	TIVL-20-175	4-49-8020	RL-2260-175-20	IT175-2-020
VDE-25T-24	P41-25-24	A41-25-24	VPS24-1000	185C24	TIVL-24-25	4-49-4024	RL-2260-25-24	IT025-2-024
VDE-43T-24	P41-43-24	A41-43-24	VPS24-1800	185D24	TIVL-24-43	4-49-5024	RL-2260-43-24	IT043-2-024
VDE-80T-24	P41-80-24	A41-80-24	VPS24-3300	185E24	TIVL-24-80	4-49-6024	RL-2260-80-24	IT080-2-024
VDE-130T-24	P41-130-24	A41-130-24	VPS24-5400	185F24	TIVL-24-130	4-49-7024	RL-2260-130-24	IT130-2-024
VDE-175T-24	P41-175-24	A41-175-24	VPS24-7300	185G24	TIVL-24-175	4-49-8024	RL-2260-175-24	IT175-2-024
VDE-25T-28	P41-25-28	A41-25-28	VPS28-900	185C28	TIVL-28-25	4-49-4028	RL-2260-25-28	IT025-2-028
VDE-43T-28	P41-43-28	A41-43-28	VPS28-1500	185D28	TIVL-28-43	4-49-5028	RL-2260-43-28	IT043-2-028
VDE-80T-28	P41-80-28	A41-80-28	VPS28-2800	185E28	TIVL-28-80	4-49-6028	RL-2260-80-28	IT080-2-028
VDE-130T-28	P41-130-28	A41-80-28	VPS28-4600	185F28	TIVL28-130	4-49-7028	RL-2260-130-28	IT130-2-028
VDE-175T-28	P41-175-28	A41-175-28	VPS28-6250	185G28	TIVL-28-175	4-49-8028	RL-2260-175-28	IT175-2-028
VDE-25T-36	P41-25-36	A41-25-36	VPS36-700	185C36	TIVL-36-25	4-49-4036	RL-2260-25-36	IT025-2-036
VDE-43T-36	P41-43-36	A41-43-36	VPS36-1200	185D36	TIVL-36-43	4-49-5036	RL-2260-43-36	IT043-2-036
VDE-80T-36	P41-80-36	A41-80-36	VPS36-2200	185E36	TIVL-36-80	4-49-6036	RL-2260-80-36	IT080-2-036
VDE-130T-36	P41-130-36	A41-130-36	VPS36-3600	185F36	TIVL-36-130	4-49-7036	RL-2260-130-36	IT130-2-036
VDE-175T-36	P41-175-36	A41-175-36	VPS36-4800	185G36	TIVL-36-175	4-49-8036	RL-2260-175-36	IT175-2-036
VDE-25T-230	P41-25-230	A41-25-230	VPS230-110	185C230	TIVL-230-25	4-49-4230	RL-2260-25-230	IT025-2-230
VDE-43T-230	P41-43-230	A41-43-230	VPS230-190	185D230	TIVL-230-43	4-49-5230	RL-2260-43-230	IT043-2-230
VDE-80T-230	P41-80-230	A41-80-230	VPS230-350	185E230	TIVL-230-80	4-49-6230	RL-2260-80-230	IT080-2-230
VDE-130T-230	P41-130-230	A41-130-230	VPS230-570	185F230	TIVL-230-130	4-49-7230	RL-2260-130-230	IT130-2-230
VDE-175T-230	P41-175-230	A41-175-230	VPS230-760	185G230	TIVL-230-175	4-49-8230	RL-2260-175-230	IT175-2-230

International Power Transformer Series: IL - Lead Wires

Cross References

Wabash	Ensign	Signal
VDE-25L-10	IL025-2-010	A41-25-10L
VDE-25L-126	IL025-2-012	A41-25-12L
VDE-25L-16	IL025-2-016	A41-25-16L
VDE-25L-18	IL025-2-018	A41-25-18L
VDE-25L-20	IL025-2-020	A41-25-20L
VDE-25L-24	IL025-2-024	A41-25-24L
VDE-25L-28	IL025-2-028	A41-25-28L
VDE-25L-36	IL025-2-036	A41-25-36L
VDE-43L-10	IL043-2-010	A41-43-10L
VDE-43L-126	IL043-2-012	A41-43-12L
VDE-43L-16	IL043-2-016	A41-43-16L
VDE-43L-18	IL043-2-018	A41-43-18L
VDE-43L-20	IL043-2-020	A41-43-20L
VDE-43L-24	IL043-2-024	A41-43-24L
VDE-43L-28	IL043-2-028	A41-43-28L
VDE-43L-36	IL043-2-036	A41-43-36L
VDE-43L-230	NA	A41-43-230L
VDE-80L-10	IL080-2-010	A41-80-10L
VDE-80L-126	IL080-2-012	A41-80-12L
VDE-80L-16	IL080-2-016	A41-80-16L
VDE-80L-18	IL080-2-018	A41-80-18L
VDE-80L-20	IL080-2-020	A41-80-20L

Wabash	Ensign	Signal
VDE-80L-24	IL080-2-024	A41-80-24L
VDE-80L-28	IL080-2-028	A41-80-28L
VDE-80L-36	IL080-2-036	A41-80-36L
VDE-80L-230	NA	A41-80-230L
VDE-130L-10	IL130-2-010	A41-130-10L
VDE-130L-126	IL130-2-012	A41-130-12L
VDE-130L-16	IL130-2-016	A41-130-16L
VDE-130L-18	IL130-2-018	A41-130-18L
VDE-130L-20	IL130-2-020	A41-130-20L
VDE-130L-24	IL130-2-024	A41-130-24L
VDE-130L-28	IL130-2-028	A41-130-28L
VDE-130L-36	IL130-2-036	A41-130-36L
VDE-130L-230	NA	A41-130-230L
VDE-175L-10	IL175-2-010	A41-175-10L
VDE-175L-126	IL175-2-012	A41-175-12L
VDE-175L-16	IL175-2-016	A41-175-16L
VDE-175L-18	IL175-2-018	A41-175-18L
VDE-175L-20	IL175-2-020	A41-175-20L
VDE-175L-24	IL175-2-024	A41-175-24L
VDE-175L-28	IL175-2-028	A41-175-28L
VDE-175L-36	IL175-2-036	A41-175-36L
VDE-175L-230	NA	A41-175-230L

Cross References are also available online.

Visit us at powervoltgroup.com

Small Size Power Transformer

Series: MT - Printed Circuit Mount, Vertical

Cross References

Wabash	PowerVolt	Signal	Stancor	Hammond	Thordarson	MCI
PSV-01-10	MT10-90	PC10-90	NA	161D10	NA	4-03-1010
PSV-012-10	MT10-120	PC10-120	NA	161FA10	PCP150	4-03-2010
PSV-045-10	MT10-440	PC10-440	PPC-11	161GA10	PCP160	4-03-3010
PSV-10-10	MT10-1000	PC10-1000	NA	161J10	PCP170	4-03-4010
PSV-24-10	MT10-2400	PC10-2400	NA	161H10	PCP180	4-03-5010
PSV-01-126	MT12-70	PC12-70	NA	161D12	NA	4-03-1012
PSV-012-126	MT12-100	PC12-100	NA	161FA12	PCP152	4-03-2012
PSV-045-126	MT12-350	PC12-350	PPC-12	161GA12	PCP154	4-03-3012
PSV-10-126	MT12-800	PC12-800	NA	161K12	PCP156	4-03-4012
PSV-24-126	MT12-2000	PC12-2000	NA	161H12	PCP158	4-03-5012
PSV-01-16	MT16-55	PC16-55	NA	161D16	NA	4-03-1016
PSV-012-16	MT16-75	PC16-75	NA	161EA16	PCP162	4-03-2016
PSV-045-16	MT16-260	PC16-260	NA	161FA16	PCP164	4-03-3016
PSV-10-16	MT16-640	PC16-640	NA	161G16	PCP166	4-03-4016
PSV-24-16	MT16-1500	PC16-1500	NA	161H16	PCP168	4-03-5016
PSV-01-20	MT20-45	PC20-45	NA	161D20	NA	4-03-1020
PSV-012-20	MT20-60	PC20-60	NA	161EA20	PCP172	4-03-2020
PSV-045-20	MT20-220	PC20-220	NA	161FA20	PCP174	4-03-3020
PSV-10-20	MT20-500	PC20-500	NA	161G20	PCP176	4-03-4020
PSV-012-24	MT24-50	PC24-50	NA	161E24	PCP182	4-03-2024
PSV-045-24	MT24-180	PC24-180	NA	161F24	PCP184	4-03-3024
PSV-10-24	MT24-450	PC24-450	NA	161G24	PCP186	4-03-4024
PSV-24-24	MT24-1000	PC24-1000	NA	161H24	PCP188	4-03-5024
PSV-01-28	MT28-30	PC28-30	NA	161D28	NA	4-03-1028
PSV-012-28	MT28-40	PC28-40	NA	161E28	PCP192	4-03-2028
PSV-045-28	MT28-160	PC28-160	PPC-13	161F28	PCP194	4-03-3038
PSV-10-28	MT28-360	PC28-360	NA	161G28	PCP196	4-03-4028
PSV-24-28	MT28-800	PC28-800	NA	161H28	PCP198	4-03-5028
PSV-01-34	MT34-25	PC34-25	NA	161D34	NA	4-03-1034
PSV-012-34	MT34-35	PC34-35	NA	161E34	PCP202	4-03-2034
PSV-045-34	MT34-125	PC34-125	NA	161F34	PCP204	4-03-3034
PSV-10-34	MT34-300	PC34-300	NA	161G34	PCP206	4-03-4034
PSV-24-34	MT34-700	PC34-700	NA	161H34	PCP208	4-03-5034
PSV-01-40	MT40-20	PC40-20	NA	161D40	NA	4-03-1040
PSV-012-40	MT40-30	PC40-30	NA	161E40	PCP212	4-03-2040
PSV-045-40	MT40-110	PC40-110	PPC-17	161F40	PCP214	4-03-3040
PSV-10-40	MT40-250	PC40-250	NA	161G40	PCP216	4-03-4040
PSV-24-40	MT40-600	PC40-600	NA	161H40	PCP218	4-03-5040
PSV-01-56	MT56-15	PC56-15	NA	161D56	NA	4-03-1056
PSV-012-56	MT56-20	PC56-20	NA	161E56	PCP222	4-03-2056
PSV-045-56	MT56-80	PC56-80	PPC-14	161F56	PCP224	4-03-3056
PSV-10-56	MT56-180	PC56-180	NA	161G56	PCP226	4-03-4056
PSV-24-56	MT56-420	PC56-420	NA	161H56	PCP228	4-03-5056
PSV-01-120	MT120-8	PC120-8	NA	161D120	NA	4-03-1088
PSV-012-120	MT120-10	PC120-10	NA	161E120	NA	4-03-2088
PSV-045-120	MT120-35	PC120-35	NA	161F120	NA	4-03-3088
PSV-10-120	MT120-85	PC120-85	NA	161G120	NA	4-03-4088
PSV-24-120	MT120-200	PC120-200	NA	161H120	NA	4-03-5088

Small Size Power Transformer

Series: DMT - Printed Circuit Mount, Vertical

Cross References

Wabash	PowerVolt	Signal	Stancor	Hammond	Thordarson	MCI
PDV-01-10	DMT10-90	DPC10-90	NA	160D10	NA	4-04-1010
PDV-012-10	DMT10-120	DPC10-120	NA	160F10	PCP151	4-04-2010
PDV-045-10	DMT10-440	DPC10-440	NA	160G10	PCP161	4-04-3010
PDV-10-10	DMT10-1000	DPC10-1000	NA	160J10	PCP171	4-04-4010
PDV-24-10	DMT10-2400	DPC10-2400	NA	160H10	PCP181	4-04-5010
PDV-01-126	DMT12-70	DPC12-70	NA	160D12	NA	4-04-1012
PDV-012-126	DMT12-100	DPC12-100	NA	160F12	PCP153	4-04-2012
PDV-045-126	DMT12-350	DPC12-350	PPC-18	160G12	PCP155	4-04-3012
PDV-10-126	DMT12-800	DPC12-800	NA	160K12	PCP157	4-04-4012
PDV-24-126	DMT12-2000	DPC12-2000	NA	160H12	PCP159	4-04-5012
PDV-01-16	DMT16-55	DPC16-55	NA	160D16	NA	4-04-1016
PDV-012-16	DMT16-75	DPC16-75	NA	160E16	PCP163	4-04-2016
PDV-045-16	DMT16-260	DPC16-260	PPC-19	160F16	PCP165	4-04-3016
PDV-10-16	DMT16-640	DPC16-640	NA	160G16	PCP167	4-04-4016
PDV-24-16	DMT16-1500	DPC16-1500	PPC-56	160H16	PCP169	4-04-5016
PDV-01-20	DMT20-45	DPC20-45	NA	160D20	NA	4-04-1020
PDV-012-20	DMT20-60	DPC20-60	NA	160E20	PCP173	4-04-2020
PDV-045-20	DMT20-220	DPC20-220	PPC-28	160F20	PCP175	4-04-3020
PDV-10-20	DMT20-500	DPC20-500	NA	160G20	PCP177	4-04-4020
PDV-012-24	DMT24-50	DPC24-50	NA	160E24	PCP183	4-04-2024
PDV-045-24	DMT24-180	DPC24-180	PPC-20	160F24	PCP185	4-04-3024
PDV-10-24	DMT24-450	DPC24-450	NA	160G24	PCP187	4-04-4024
PDV-24-24	DMT24-1000	DPC24-1000	PPC-58	160H24	PCP189	4-04-5024
PDV-01-28	DMT28-30	DPC28-30	NA	160D28	NA	4-04-1028
PDV-012-28	DMT28-40	DPC28-40	NA	160E28	PCP193	4-04-2028
PDV-045-28	DMT28-160	DPC28-160	PPC-48	160F28	PCP195	4-04-3028
PDV-10-28	DMT28-360	DPC28-360	NA	160G28	PCP197	4-04-4028
PDV-24-28	DMT28-800	DPC28-800	NA	160H28	PCP199	4-04-6028
PDV-01-34	DMT34-25	DPC34-25	NA	160D34	NA	4-04-1034
PDV-012-34	DMT34-35	DPC34-35	NA	160E35	PCP203	4-04-2034
PDV-045-34	DMT34-125	DPC34-125	NA	160F34	PCP205	4-04-3034
PDV-10-34	DMT34-300	DPC34-300	NA	160G34	PCP207	4-04-4034
PDV-24-34	DMT34-700	DPC34-700	NA	160H34	PCP209	4-04-5034
PDV-01-40	DMT40-20	DPC40-20	NA	160D40	NA	4-04-1040
PDV-012-40	DMT40-30	DPC40-30	NA	160E40	PCP213	4-04-2040
PDV-045-40	DMT40-110	DPC40-110	NA	160F40	PCP215	4-04-3040
PDV-10-40	DMT40-250	DPC40-250	NA	160G40	PCP217	4-04-4040
PDV-24-40	DMT40-600	DPC40-600	NA	160H40	PCP219	4-04-5040
PDV-01-56	DMT56-15	DPC56-15	NA	160D56	NA	4-04-1056
PDV-012-56	DMT56-20	DPC56-20	NA	160E56	PCP223	4-04-2056
PDV-045-56	DMT56-80	DPC56-80	NA	160F56	PCP225	4-04-3056
PDV-10-56	DMT56-180	DPC56-180	NA	160G56	PCP227	4-04-4056
PDV-24-56	DMT56-420	DPC56-420	NA	160H56	PCP229	4-04-5056
PDV-01-120	DMT120-8	DPC120-8	NA	160D120	NA	4-04-1088
PDV-012-120	DMT120-10	DPC120-10	NA	160E120	NA	4-01-2088
PDV-045-120	DMT120-35	DPC120-35	NA	160F120	NA	4-04-3088
PDV-10-120	DMT120-85	DPC120-85	NA	160G120	NA	4-04-4088
PDV-24-120	DMT120-200	DPC120-200	NA	160H120	NA	4-04-5088

Low Profile Power Transformer
Series: SPW / FZ / U - Printed Circuit Mount

Cross References

Wabash	PowerVolt	Signal	Prem	Stancor	Microtran	Tamura	Triad	Hammond	Thordarson	Premier	MCI	Zettler	Renco	Ensign
UI-25-10	FZ10-250	LP10-250	SPW-050	LB210	PF2.5-10	3FL10-250	FP10-250	229E10	PFC200	PLP-102	4-05-1010	AHF02010	RL-2230-10-250	U002-2-010
UI-06-10	FZ10-600	LP10-600	SPW-100	LB 610	PF6-10	3FL10-600	FP10-600	229A10	PFC202	PLP-106	4-05-2010	AHF06010	RL-2230-10-600	U006-2-010
UI-12-10	FZ10-1200	LP10-1200	SPW-300	LB 1210	PF12-10	3FL10-1200	FP10-1200	229B10	PFC204	PLP-1012	4-05-3010	AHF12010	RL-2230-10-1200	U012-2-010
UI-24-10	FZ10-2400	LP10-2400	NA	LB2410	NA	NA	FP10-2400	NA	NA	PLP1024	4-05-4010	AHF24010	RL-2230-10-2400	U024-2-010
UI-48-10	FZ10-4800	LP10-4800	NA	LB4810	NA	NA	FP10-4800	NA	NA	PLP1048	4-05-5010	AHF48010	RL-2230-10-4800	U048-2-010
UI-25-126	FZ12-200	LP12-200	SPW-051	NA	PF2.5-12	3FL12-200	FP12-200	229E12	PFC210	PLP-122	NA	AHF02012	RL-2230-12-200	U002-2-012
UI-06-126	FZ12-450	LP12-450	SPW-101	LB 612	PF6-12	3FL12-475	FP12-450	229A12	PFC212	PLP-126	4-05-2012	AHF06012	RL-2230-12-450	U006-2-012
UI-12-126	FZ12-900	LP12-900	SPW-301	LB 1212	PF12-12	3FL12-950	FP12-900	229B12	PFC214	PLP-1212	4-05-3012	AHF12012	RL-2230-12-900	U012-2-012
UI-24-126	FZ12-1900	LP12-1900	NA	LB1219	NA	NA	FP12-1900	NA	NA	NA	4-05-4012	AHF24012	RL-2230-12-1900	U024-2-012
UI-48-126	FZ12-3800	LP12-3800	NA	LB1238	NA	NA	FP12-3800	NA	NA	NA	4-05-5012	AHF48012	RL-2230-12-3800	U048-2-012
UI-25-16	FZ16-150	LP16-150	SPW-052	NA	PF2.5-16	3FL20-125	FP16-150	229E16	PFC220	PLP-162	4-05-1016	AHF02016	RL-2230-16-150	U002-2-016
UI-06-16	FZ16-350	LP16-350	SPW-102	LB 616	PF6-16	3FL16-350	FP16-350	229A16	PFC222	PLP-166	4-05-2016	AHF06016	RL-2230-16-350	U006-2-016
UI-12-16	FZ16-700	LP16-700	SPW-302	LB 1216	PF12-16	3FL16-700	FP16-700	229B16	PFC224	PLP-1612	4-05-3016	AHF12016	RL-2230-16-700	U012-2-016
UI-24-16	FZ16-1500	NA	NA	NA	NA	NA	NA	NA	NA	NA	NA	NA	RL-2230-16-1500	U024-2-016
UI-48-16	FZ16-3000	NA	NA	NA	NA	NA	NA	NA	NA	NA	NA	NA	RL-2230-16-3000	U048-2-016
UI-25-20	FZ20-125	LP20-125	SPW-053	NA	PF2.5-20	3FL20-125	FP20-125	229E20	PFC230	PLP-202	4-05-1020	AHF02020	RL-2230-20-125	U002-2-020
UI-06-20	FZ20-300	LP20-300	SPW-103	LB 620	PF6-20	3FL20-300	FP20-300	229A20	PFC232	PLP-206	4-05-2020	AHF06020	RL-2230-20-300	U006-2-020
UI-12-20	FZ20-600	LP20-600	SPW-303	LB 1220	PF12-20	3FL20-600	FP20-600	229B20	PFC234	PLP-2012	4-05-3020	AHF12020	RL-2230-20-600	U012-2-020
UI-24-20	FZ20-1200	NA	NA	NA	NA	NA	NA	NA	NA	NA	NA	NA	RL-2230-20-1200	U024-2-020
UI-48-20	FZ20-2400	NA	NA	NA	NA	NA	NA	NA	NA	NA	NA	NA	RL-2230-20-2400	U048-2-020
UI-25-24	FZ24-100	LP24-100	SPW-054	NA	PF2.5-24	3FL24-100	FP24-100	229E24	PFC240	PLP-242	4-05-1024	AHF02024	RL-2230-24-100	U002-2-024
UI-06-24	FZ24-250	LP24-250	SPW-104	LB 624	PF6-24	3FL24-250	FP24-250	229A24	PFC242	PLP-246	4-05-2024	AHF06024	RL-2230-24-250	U006-2-024
UI-12-24	FZ24-500	LP24-500	SPW-304	LB 1224	PF12-24	3FL24-500	FP24-500	229B24	PFC244	PLP-2412	4-05-3024	AHF12024	RL-2230-24-500	U012-2-024
UI-24-24	FZ24-1000	NA	NA	NA	NA	NA	NA	NA	NA	NA	NA	NA	RL-2230-24-1000	U024-2-024
UI-48-24	FZ24-2000	NA	NA	NA	NA	NA	NA	NA	NA	NA	NA	NA	RL-2230-24-2000	U048-2-024
UI-25-30	FZ30-85	LP30-85	SPW-061	NA	PF2.5-30	3FL30-85	FP30-85	229E30	PFC190	NA	NA	AHF02030	RL-2230-30-85	U002-2-030
UI-06-30	FZ30-200	LP30-200	SPW-111	NA	PF6-30	3FL30-200	FP30-200	229A30	PFC192	NA	NA	AHF06030	RL-2230-30-200	U006-2-030
UI-12-30	FZ30-400	LP30-400	SPW-311	NA	PP12-30	3FL30-400	FP30-400	229B30	PFC294	NA	4-05-3030	AHF12030	RL-2230-30-400	U012-2-030
UI-24-30	FZ30-800	NA	NA	NA	NA	NA	NA	NA	NA	NA	NA	NA	RL-2230-30-800	U024-2-030
UI-24-48	FZ30-1600	NA	NA	NA	NA	NA	NA	NA	NA	NA	NA	NA	RL-2230-30-1600	U048-2-030
UI-25-34	FZ34-75	LP34-75	SPW-055	NA	PF2.5-34	3FL34-75	FP34-75	229E34	PFC250	PLP-302	4-05-1034	AHF02034	RL-2230-34-75	U002-2-034
UI-06-34	FZ34-170	LP34-170	SPW-105	LB 634	PF6-34	3FL34-170	FP34-170	229A34	PFC252	PLP-306	4-05-2034	AHF06034	RL-2230-34-170	U006-2-034
UI-12-34	FZ34-340	LP34-340	SPW-305	LB 1234	PF12-34	3FL34-340	FP34-340	229B34	PFC254	PLP-3012	4-05-3034	AHF12034	RL-2230-34-340	U012-2-034
UI-24-34	FZ34-700	NA	NA	NA	NA	NA	NA	NA	NA	NA	NA	NA	RL-2230-34-700	U024-2-034
UI-48-34	FZ34-1400	NA	NA	NA	NA	NA	NA	NA	NA	NA	NA	NA	RL-2230-34-1400	U048-2-034
UI-25-40	FZ40-60	LP40-60	SPW-056	LB240	NA	3FL40-60	FP40-60	229E40	PFC260	PLP-402	4-05-1040	AHF02040	RL-2230-40-60	U002-2-040
UI-06-40	FZ40-150	LP40-150	SPW-106	LB 640	PF6-40	3FL40-150	FP40-150	229A40	PFC262	PLP-406	4-05-2040	AHF06040	RL-2230-40-150	U006-2-040
UI-12-40	FZ40-300	LP40-300	SPW-306	LB 1240	NA	3FL40-300	FP40-300	229B40	PFC264	PLP-3412	4-05-3040	AHF12040	RL-2230-40-300	U012-2-040
UI-24-40	FZ40-600	NA	NA	NA	NA	NA	NA	NA	NA	NA	NA	NA	RL-2230-40-600	U024-2-040
UI-48-40	FZ40-1200	NA	NA	NA	NA	NA	NA	NA	NA	NA	NA	NA	RL-2230-40-1200	U048-2-040
UI-25-56	FZ56-45	LP56-45	SPW-057	LB256	PF2.5-56	3FL56-45	FP56-45	229E56	PFC270	PLP-562	4-05-1056	AHF02056	RL-2230-56-45	U002-2-056
UI-06-56	FZ56-100	LP56-100	SPW-107	LB 656	PF6-56	3FL56-100	FP56-100	229A56	PFC272	PLP-406	4-05-2056	AHF06056	RL-2230-56-100	U006-2-056
UI-12-56	FZ56-200	LP56-200	SPW-307	LB 1256	PF12-56	3FL56-200	FP56-200	229B56	PFC274	PLP-4012	4-05-3056	AHF12056	RL-2230-56-200	U012-2-056
UI-24-56	FZ56-425	NA	NA	NA	NA	NA	NA	NA	NA	NA	NA	NA	RL-2230-56-425	U024-2-056
UI-48-56	FZ56-850	NA	NA	NA	NA	NA	NA	NA	NA	NA	NA	NA	RL-2230-56-850	U048-2-056
UI-25-88	FZ88-28	LP88-28	SPW-058	LB288	PF88-28	3FL88-28	FP88-28	229E88	PFC280	PLP-562	4-05-1028	AHF02088	RL-2230-88-28	U002-2-088
UI-06-88	FZ88-65	LP88-65	SPW-108	LB 688	NA	3FL88-65	FP88-65	229A88	PFC282	PLP-566	4-05-2088	AHF06088	RL-2230-88-65	U006-2-088
UI-12-88	FZ88-130	LP88-130	SPW-308	LB 1288	NA	3FL88-130	FP88-130	229B88	PFC284	PLP-5612	4-05-3088	AHF12088	RL-2230-88-130	U012-2-088
UI-25-120	FZ120-20	LP120-20	SPW-059	LB2120	NA	3FL120-20	FP120-20	229E120	PFC290	PLP-882	4-05-1120	AHF02120	RL-2230-120-20	U002-2-120
UI-06-120	FZ120-50	LP120-50	SPW-109	LB 6120	NA	3FL120-50	FP120-50	229A120	PFC292	PLP-886	4-05-2120	AHF06120	RL-2230-120-50	U006-2-120
UI-12-120	FZ120-100	LP120-100	SPW-309	LB 12120	NA	3FL120-100	FP120-100	229B120	PFC324	PLP-8812	4-05-3120	AHF12120	RL-2230-120-100	U012-2-120
UI-25-230	FZ230-10	LP230-10	SPW-060	LB2230	NA	3FL230-10	FP230-10	229E230	PFC300	NA	4-05-1230	AHF02230	RL-2230-230-10	U002-2-230
UI-06-230	FZ230-25	LP230-25	SPW-110	LB 6230	NA	3FL230-25	FP230-25	229A230	PFC302	NA	4-05-2230	AHF06230	RL-2230-230-25	U006-2-230
UI-12-230	FZ230-50	LP230-50	SPW-310	LB6230	NA	3FL230-50	FP230-50	229B230	PFC334	NA	4-05-3230	AHF12230	RL-2230-230-50	U012-2-230

The Compact Power Transformer
Series: PP / T - Chassis Mount with Terminals

Cross References

Wabash	PowerVolt	Signal	Stancor	Triad	Hammond	Thordarson	MCI	Renco	Ensign
PST-24-10	PP-3-10	241-3-10	NA	F3-10	187A10	CFP201	4-06-3010	RL-2270-3-10	T002-1-510
PST-06-10	PP-4-10	241-4-10	NA	F4-10	187B10	CFP301	4-06-4010	RL-2270-4-10	T006-1-510
PST-12-10	PP-5-10	241-5-10	P8652	F5-10	187C10	CFP401	4-06-5010	RL-2270-5-10	T012-1-510
PST-30-10	PP-6-10	241-6-10	P8380	F6-10	187D10	CFP501	4-06-6010	RL-2270-6-10	T030-1-510
PST-56-10	PP-7-10	241-7-10	P6458	F7-10	187E10	CFP601	4-06-7010	RL-2270-7-10	T056-1-510
PST-100-10	PP-8-10	241-8-10	P6461	F8-10	187F10	CFP701	4-06-8010	RL-2270-8-10	T100-1-510
PST-24-126	PP-3-12	241-3-12	NA	F3-12	187A12	CFP203	4-06-3012	RL-2270-3-12	T002-1-512
PST-06-126	PP-4-12	241-4-12	NA	F4-12	187B12	CFP303	4-06-4012	RL-2270-4-12	T006-1-512
PST-12-126	PP-5-12	241-5-12	P8384	F5-12	187C12	CFP403	4-06-5012	RL-2270-5-12	T012-1-512
PST-30-126	PP-6-12	241-6-12	P8358	F6-12	187D12	CFP503	4-06-6012	RL-2270-6-12	T030-1-512
PST-56-126	PP-7-12	241-7-12	P8641	F7-12	187E12	CFP603	4-06-7012	RL-2270-7-12	T056-1-512
PST-100-126	PP-8-12	241-8-12	P8643	F8-12	187F12	CFP703	4-06-8012	RL-2270-8-12	T100-1-512
PST-24-16	PP-3-16	241-3-16	NA	F3-16	187A16	CFP205	4-06-3016	RL-2270-3-16	T002-1-516
PST-06-16	PP-4-16	241-4-16	NA	F4-16	187B16	CFP305	4-06-4016	RL-2270-4-16	T006-1-516
PST-12-16	PP-5-16	241-5-16	NA	F5-16	187C16	CFP405	4-06-5016	RL-2270-5-16	T012-1-516
PST-30-16	PP-6-16	241-6-16	NA	F6-16	187D16	CFP505	4-06-6016	RL-2270-6-16	T030-1-516
PST-56-16	PP-7-16	241-7-16	NA	F7-16	187E16	CFP605	4-06-7016	RL-2270-7-16	T056-1-516
PST-100-16	PP-8-16	241-8-16	NA	F8-16	187F16	CFP705	4-06-8016	RL-2270-8-16	T100-1-516
PST-24-20	PP-3-20	241-3-20	NA	F3-20	187A20	CFP207	4-06-3020	RL-2270-3-20	T002-1-520
PST-06-20	PP-4-20	241-4-20	P8505	F4-20	187B20	CFP307	4-06-4020	RL-2270-4-20	T006-1-520
PST-12-20	PP-5-20	241-5-20	P8507	F5-20	187C20	CFP407	4-06-5020	RL-2270-5-20	T012-1-520
PST-30-20	PP-6-20	241-6-20	P8508	F6-20	187D20	CFP507	4-06-6020	RL-2270-6-20	T030-1-520
PST-56-20	PP-7-20	241-7-20	P8559	F7-20	187E20	CFP607	4-06-7020	RL-2270-7-20	T056-1-520
PST-100-20	PP-8-20	241-8-20	P8560	F8-20	187F20	CFP707	4-06-8020	RL-2270-8-20	T100-1-520
PST-24-24	PP-3-24	241-3-24	P8394	F3-24	187A24	CFP209	4-06-3024	RL-2270-3-24	T002-1-524
PST-06-24	PP-4-24	241-4-24	P8395	F4-24	187B24	CFP309	4-06-4024	RL-2270-4-24	T006-1-524
PST-12-24	PP-5-24	241-5-24	P8396	F5-24	187C24	CFP409	4-06-5024	RL-2270-5-24	T012-1-524
PST-30-24	PP-6-24	241-6-24	P8575	F6-24	187D24	CFP509	4-06-6024	RL-2270-6-24	T030-1-524
PST-56-24	PP-7-24	241-7-24	NA	F7-24	187E24	CFP609	4-06-7024	RL-2270-7-24	T056-1-524
PST-100-24	PP-8-24	241-8-24	NA	F8-24	187F24	CFP709	4-06-8024	RL-2270-8-24	T100-1-524
PST-24-28	PP-3-28	241-3-28	P8600	F3-28	187A28	CFP211	4-06-3028	NA	T002-1-528
PST-06-28	PP-4-28	241-4-28	P8601	F4-28	187B28	CFP311	4-06-4028	NA	T006-1-528
PST-12-28	PP-5-28	241-5-28	P8602	F5-28	187C28	CFP411	4-06-5028	NA	T012-1-528
PST-30-28	PP-6-28	241-6-28	P8603	F6-28	187D28	CFP511	4-06-6028	NA	T030-1-528
PST-56-28	PP-7-28	241-7-28	P8668	F7-28	187E28	CFP611	4-06-7028	NA	T056-1-528
PST-100-28	PP-8-28	241-8-28	NA	F8-28	187F28	CFP711	4-06-8028	NA	T100-1-528
PST-24-36	PP-3-36	241-3-36	P8615	F3-36	187A36	CFP213	4-06-3036	NA	T002-1-536
PST-06-36	PP-4-36	241-4-36	P8611	F4-36	187B36	CFP313	4-06-4036	NA	T006-1-536
PST-12-36	PP-5-36	241-5-36	P8612	F5-36	187C36	CFP413	4-06-5036	NA	T012-1-536
PST-30-36	PP-6-36	241-6-36	P8613	F6-36	187D36	CFP513	4-06-6036	NA	T030-1-536
PST-56-36	PP-7-36	241-7-36	P8671	F7-36	187E36	CFP613	4-06-7036	NA	T056-1-536
PST-100-36	PP-8-36	241-8-36	P8672	F8-36	187F36	CFP713	4-06-8036	NA	T100-1-536
PST-24-48	PP-3-48	241-3-48	NA	F3-48	187A48	CFP215	4-06-3048	NA	T002-1-548
PST-06-48	PP-4-48	241-4-48	NA	F4-48	187B48	CFP315	4-06-4048	NA	T006-1-548
PST-12-48	PP-5-48	241-5-48	NA	F5-48	187C48	CFP415	4-06-5048	NA	T012-1-548
PST-30-48	PP-6-48	241-6-48	NA	F6-48	187D48	CFP515	4-06-6048	NA	T030-1-548
PST-56-48	PP-7-48	241-7-48	P8605	F7-48	187E48	CFP615	4-06-7048	NA	T056-1-548
PST-100-48	PP-8-48	241-8-48	NA	F8-48	187F48	CFP715	4-06-8048	NA	T100-1-548
PST-24-56	PP-3-56	241-3-56	NA	F3-56	187A56	CFP217	4-06-3056	NA	T002-1-556
PST-06-56	PP-4-56	241-4-56	NA	F4-56	187B56	CFP317	4-06-4056	NA	T006-1-556
PST-12-56	PP-5-56	241-5-56	NA	F5-56	187C56	CFP417	4-06-5056	NA	T012-1-556
PST-30-56	PP-6-56	241-6-56	NA	F6-56	187D56	CFP517	4-06-6056	NA	T030-1-556
PST-56-56	PP-7-56	241-7-56	NA	F7-56	187E56	CFP617	4-06-7056	NA	T056-1-556
PST-100-56	PP-8-56	241-8-56	NA	F8-56	187F56	CFP717	4-06-8056	NA	T100-1-556
PST-24-120	PP-3-120	241-3-120	NA	F3-120	187A120	CFP219	4-06-3120	NA	T002-1-620
PST-06-120	PP-4-120	241-4-120	NA	F4-120	187B120	CFP319	4-06-4120	NA	T006-1-620
PST-12-120	PP-5-120	241-5-120	NA	F5-120	187C120	CFP419	4-06-5120	NA	T012-1-620
PST-30-120	PP-6-120	241-6-120	NA	F6-120	187D120	CFP519	4-06-6120	NA	T030-1-620
PST-56-120	PP-7-120	241-7-120	NA	F7-120	187E120	CFP619	4-06-7120	NA	T056-1-620
PST-100-120	PP-8-120	241-8-120	NA	F8-120	187F120	CFP719	4-06-8120	NA	T100-1-620

The Compact Power Transformer
Series: DPP / T - Chassis Mount with Terminals

Cross References

Wabash	PowerVolt	Signal	Stancor	Triad	Hammond	Thordarson	MCI	Renco	Ensign
PDT-06-10	DPP-4-10	DP241-4-10	NA	FD4-10	186B10	CFP300	4-07-4010	RLD-2270-4-10	T006-2-510
PDT-12-10	DPP-5-10	DP241-5-10	P8652	FD5-10	186C10	CFP400	4-07-5010	RLD-2270-5-10	T012-2-510
PDT-30-10	DPP-6-10	DP241-6-10	P8380	FD6-10	186D10	CFP500	4-07-6010	RLD-2270-6-10	T030-2-510
PDT-56-10	DPP-7-10	DP241-7-10	P6458	FD7-10	186E10	CFP600	4-07-7010	RLD-2270-7-10	T056-2-510
PDT-100-10	DPP-8-10	DP241-8-10	P6461	FD8-10	186F10	CFP700	4-07-8010	RLD-2270-8-10	T100-2-510
PDT-06-126	DPP-4-12	DP241-4-12	NA	FD4-12	186B12	CFP302	4-07-4012	RLD-2270-4-12	T006-2-512
PDT-12-126	DPP-5-12	DP241-5-12	P8384	FD5-12	186C12	CFP402	4-07-5012	RLD-2270-5-12	T012-2-512
PDT-30-126	DPP-6-12	DP241-6-12	P8358	FD6-12	186D12	CFP502	4-07-6012	RLD-2270-6-12	T030-2-512
PDT-56-126	DPP-7-12	DP241-7-12	P8641	FD7-12	186E12	CFP602	4-07-7012	RLD-2270-7-12	T056-2-512
PDT-100-126	DPP-8-12	DP241-8-12	P8643	FD8-12	186F12	CFP702	4-07-8012	RLD-2270-8-12	T100-2-512
PDT-06-16	DPP-4-16	DP241-4-16	NA	FD4-16	186B16	CFP304	4-07-4016	RLD-4-16	T006-2-516
PDT-12-16	DPP-5-16	DP241-5-16	NA	FD5-16	186C16	CFP404	4-07-5016	RLD-5-16	T012-2-516
PDT-30-16	DPP-6-16	DP241-6-16	NA	FD6-16	186D16	CFP504	4-07-6016	RLD-6-16	T030-2-516
PDT-56-16	DPP-7-16	DP241-7-16	NA	FD7-16	186E16	CFP604	4-07-7016	RLD-7-16	T056-2-516
PDT-100-16	DPP-8-16	DP241-8-16	NA	FD8-16	186F16	CFP704	4-07-8016	RLD-8-16	T100-2-516
PDT-06-20	DPP-4-20	DP241-4-20	P8505	FD4-20	186B20	CFP306	4-07-4020	RLD-2270-4-20	T006-2-520
PDT-12-20	DPP-5-20	DP241-5-20	P8507	FD5-20	186C20	CFP406	4-07-5020	RLD-2270-5-20	T012-2-520
PDT-30-20	DPP-6-20	DP241-6-20	P8604	FD6-20	186D20	CFP506	4-07-6020	RLD-2270-6-20	T030-2-520
PDT-56-20	DPP-7-20	DP241-7-20	P8559	FD7-20	186E20	CFP606	4-07-7020	RLD-2270-7-20	T056-2-520
PDT-100-20	DPP-8-20	DP241-8-20	P8560	FD8-20	186F20	CFP706	4-07-8020	RLD-2270-8-20	T100-2-520
PDT-06-24	DPP-4-24	DP241-4-24	P8721	FD4-24	186B24	CFP308	4-07-4024	RLD-2270-4-24	T006-2-524
PDT-12-24	DPP-5-24	DP241-5-24	P8722	FD5-24	186C24	CFP408	4-07-5024	RLD-2270-5-24	T012-2-524
PDT-30-24	DPP-6-24	DP241-6-24	P8575	FD6-24	186D24	CFP508	4-07-6024	RLD-2270-6-24	T030-2-524
PDT-56-24	DPP-7-24	DP241-7-24	NA	FD7-24	186E24	CFP608	4-07-7024	RLD-2270-7-24	T056-2-524
PDT-100-24	DPP-8-24	DP241-8-24	NA	FD8-24	186F24	CFP708	4-07-8024	RLD-2270-8-24	T100-2-524
PDT-06-28	DPP-4-28	DP241-4-28	P8601	FD4-28	186B28	CFP310	4-07-4028	NA	T006-2-528
PDT-12-28	DPP-5-28	DP241-5-28	P8602	FD5-28	186C28	CFP410	4-07-5028	NA	T012-2-528
PDT-30-28	DPP-6-28	DP241-6-28	P8667	FD6-28	186D28	CFP510	4-07-6028	NA	T030-2-528
PDT-56-28	DPP-7-28	DP241-7-28	P8668	FD7-28	186E28	CFP610	4-07-7028	NA	T056-2-528
PDT-100-28	DPP-8-28	DP241-8-28	NA	FD8-28	186F28	CFP710	4-07-8028	NA	T100-2-528
PDT-06-36	DPP-4-36	DP241-4-36	P8611	FD4-36	186B36	CFP312	4-07-4036	NA	T006-2-536
PDT-12-36	DPP-5-36	DP241-5-36	P8612	FD5-36	186C36	CFP412	4-07-5036	NA	T012-2-536
PDT-30-36	DPP-6-36	DP241-6-36	P8613	FD6-36	186D36	CFP512	4-07-6036	NA	T030-2-536
PDT-56-36	DPP-7-36	DP241-7-36	P8671	FD7-36	186E36	CFP612	4-07-7036	NA	T056-2-536
PDT-100-36	DPP-8-36	DP241-8-36	P8672	FD8-36	186F36	CFP712	4-07-8036	NA	T100-2-536
PDT-06-48	DPP-4-48	DP241-4-48	NA	FD4-48	186B48	CFP314	4-07-4048	NA	T006-2-548
PDT-12-48	DPP-5-48	DP241-5-48	NA	FD5-48	186C48	CFP414	4-07-5048	NA	T012-2-548
PDT-30-48	DPP-6-48	DP241-6-48	NA	FD6-48	186D48	CFP514	4-07-6048	NA	T030-2-548
PDT-56-48	DPP-7-48	DP241-7-48	P8605	FD7-48	186E48	CFP614	4-07-7048	NA	T056-2-548
PDT-100-48	DPP-8-48	DP241-8-48	NA	FD8-48	186F48	CFP714	4-07-8048	NA	T100-2-548
PDT-06-56	DPP-4-56	DP241-4-56	NA	FD4-56	186B56	CFP316	4-07-4056	NA	T006-2-556
PDT-12-56	DPP-5-56	DP241-5-56	NA	FD5-56	186C56	CFP416	4-07-5056	NA	T012-2-556
PDT-30-56	DPP-6-56	DP241-6-56	NA	FD6-56	186D56	CFP516	4-07-6056	NA	T030-2-556
PDT-56-56	DPP-7-56	DP241-7-56	NA	FD7-56	186E56	CFP616	4-07-7056	NA	T056-2-556
PDT-100-56	DPP-8-56	DP241-8-56	NA	FD8-56	186F56	CFP716	4-07-8056	NA	T100-2-556
PDT-06-120	DPP-4-120	DP241-4-120	NA	FD4-120	186B120	CFP318	4-07-4120	NA	T006-2-620
PDT-12-120	DPP-5-120	DP241-5-120	NA	FD5-120	186C120	CFP418	4-07-5120	NA	T012-2-620
PDT-30-120	DPP-6-120	DP241-6-120	NA	FD6-120	186D120	CFP518	4-07-6120	NA	T030-2-620
PDT-56-120	DPP-7-120	DP241-7-120	NA	FD7-120	186E120	CFP618	4-07-7120	NA	T056-2-620
PDT-100-120	DPP-8-120	DP241-8-120	NA	FD8-120	186F120	CFP718	4-07-8120	NA	T100-2-620

The Compact Power Transformer

Series: PSL / PDL / L - Chassis Mount with Lead Wires

Cross References

Wabash	Ensign	Signal	Wabash	Ensign	Signal
PSL-24-10	L002-1-510	241-3-10L	PDL-24-10	L002-2-510	NA
PSL-24-126	L002-1-512	241-3-12L	PDL-24-126	L002-2-512	NA
PSL-24-16	L002-1-516	241-3-16L	PDL-24-16	L002-2-516	NA
PSL-24-20	L002-1-520	241-3-20L	PDL-24-20	L002-2-520	NA
PSL-24-24	L002-1-524	241-3-24L	PDL-24-24	L002-2-524	NA
PSL-24-28	L002-1-528	241-3-28L	PDL-24-28	L002-2-528	NA
PSL-24-36	L002-1-536	241-3-36L	PDL-24-36	L002-2-536	NA
PSL-24-48	L002-1-548	241-3-48L	PDL-24-48	L002-2-548	NA
PSL-24-56	L002-1-556	241-3-56L	PDL-24-56	L002-2-556	NA
PSL-24-120	L002-1-620	241-3-120L	PDL-24-120	L002-2-620	NA
PSL-06-10	L006-1-510	241-4-10L	PDL-06-10	L006-2-510	DP-241-4-10L
PSL-06-126	L006-1-512	241-4-12L	PDL-06-126	L006-2-512	DP-241-4-12L
PSL-06-16	L006-1-516	241-4-16L	PDL-06-16	L006-2-516	DP-241-4-16L
PSL-06-20	L006-1-520	241-4-20L	PDL-06-20	L006-2-520	DP-241-4-20L
PSL-06-24	L006-1-524	241-4-24L	PDL-06-24	L006-2-524	DP-241-4-24L
PSL-06-28	L006-1-528	241-4-28L	PDL-06-28	L006-2-528	DP-241-4-28L
PSL-06-36	L006-1-536	241-4-36L	PDL-06-36	L006-2-536	DP-241-4-36L
PSL-06-48	L006-1-548	241-4-48L	PDL-06-48	L006-2-548	DP-241-4-48L
PSL-06-56	L006-1-556	241-4-56L	PDL-06-56	L006-2-556	DP-241-4-56L
PSL-06-120	L006-1-620	241-4-120L	PDL-06-120	L006-2-620	DP-241-4-120L
PSL-12-10	L012-1-510	241-5-10L	PDL-12-10	L012-2-510	DP-241-5-10L
PSL-12-126	L012-1-512	241-5-12L	PDL-12-126	L012-2-512	DP-241-5-12L
PSL-12-16	L012-1-516	241-5-16L	PDL-12-16	L012-2-516	DP-241-5-16L
PSL-12-20	L012-1-520	241-5-20L	PDL-12-20	L012-2-520	DP-241-5-20L
PSL-12-24	L012-1-524	241-5-24L	PDL-12-24	L012-2-524	DP-241-5-24L
PSL-12-28	L012-1-528	241-5-28L	PDL-12-28	L012-2-528	DP-241-5-28L
PSL-12-36	L012-1-536	241-5-36L	PDL-12-36	L012-2-536	DP-241-5-36L
PSL-12-48	L012-1-548	241-5-48L	PDL-12-48	L012-2-548	DP-241-5-48L
PSL-12-56	L012-1-556	241-5-56L	PDL-12-56	L012-2-556	DP-241-5-56L
PSL-12-120	L012-1-620	241-5-120L	PDL-12-120	L012-2-620	DP-241-5-120L
PSL-30-10	L030-1-510	241-6-10L	PDL-30-10	L030-2-510	DP-241-6-10L
PSL-30-12	L030-1-512	241-6-12L	PDL-30-12	L030-2-512	DP-241-6-12L
PSL-30-16	L030-1-516	241-6-16L	PDL-30-16	L030-2-516	DP-241-6-16L
PSL-30-20	L030-1-520	241-6-20L	PDL-30-20	L030-2-520	DP-241-6-20L
PSL-30-24	L030-1-524	241-6-24L	PDL-30-24	L030-2-524	DP-241-6-24L
PSL-30-28	L030-1-528	241-6-28L	PDL-30-28	L030-2-528	DP-241-6-28L
PSL-30-36	L030-1-536	241-6-36L	PDL-30-36	L030-2-536	DP-241-6-36L
PSL-30-48	L030-1-548	241-6-48L	PDL-30-48	L030-2-548	DP-241-6-48L
PSL-30-56	L030-1-556	241-6-56L	PDL-30-56	L030-2-556	DP-241-6-56L
PSL-30-120	L030-1-620	241-6-120L	PDL-30-120	L030-2-620	DP-241-6-120L
PSL-56-10	L056-1-510	241-7-10L	PDL-56-10	L056-2-510	DP-241-7-10L
PSL-56-12	L056-1-512	241-7-12L	PDL-56-12	L056-2-512	DP-241-7-12L
PSL-56-16	L056-1-516	241-7-16L	PDL-56-16	L056-2-516	DP-241-7-16L
PSL-56-20	L056-1-520	241-7-20L	PDL-56-20	L056-2-520	DP-241-7-20L
PSL-56-24	L056-1-524	241-7-24L	PDL-56-24	L056-2-524	DP-241-7-24L
PSL-56-28	L056-1-528	241-7-28L	PDL-56-28	L056-2-528	DP-241-7-28L
PSL-56-36	L056-1-536	241-7-36L	PDL-56-36	L056-2-536	DP-241-7-36L
PSL-56-48	L056-1-548	241-7-48L	PDL-56-48	L056-2-548	DP-241-7-48L
PSL-56-56	L056-1-556	241-7-56L	PDL-56-56	L056-2-556	DP-241-7-56L
PSL-56-120	L056-1-620	241-7-120L	PDL-56-120	L056-2-620	DP-241-7-120L
PSL-100-10	L100-1-510	241-8-10L	PDL-100-10	L100-2-510	DP-241-8-10L
PSL-100-12	L100-1-512	241-8-12L	PDL-100-12	L100-2-512	DP-241-8-12L
PSL-100-16	L100-1-516	241-8-16L	PDL-100-16	L100-2-516	DP-241-8-16L
PSL-100-20	L100-1-520	241-8-20L	PDL-100-20	L100-2-520	DP-241-8-20L
PSL-100-24	L100-1-524	241-8-24L	PDL-100-24	L100-2-524	DP-241-8-24L
PSL-100-28	L100-1-528	241-8-28L	PDL-100-28	L100-2-528	DP-241-8-28L
PSL-100-36	L100-1-536	241-8-36L	PDL-100-36	L100-2-536	DP-241-8-36L
PSL-100-48	L100-1-548	241-8-48L	PDL-100-48	L100-2-548	DP-241-8-48L
PSL-100-56	L100-1-556	241-8-56L	PDL-100-56	L100-2-556	DP-241-8-56L
PSL-100-120	L100-1-620	241-8-120L	PDL-100-120	L100-2-620	DP-241-8-120L

DC Power Supplies

Series: BVA - Linear Regulated Power Supplies

Cross References

PowerVolt	Bel Industries	Condor	Int'l Power	Lambda	AC DC	Elpac	Power-Tec.
BVA-2AS3	HB2-3-A	HB2-3-A+	IHB2-3	NA	NA	NA	NA
BVA-2BS6	HC2-6-A	HC2-6-A+	IHC2-6	NA	NA	NA	NA
BVA-2DS12	HD2-12-A	HD-2-12-A+	IHD2-12	NA	NA	NA	NA
BVA-2ES18	HE2-18-A	HE-2-18-A+	IHE2-18	NA	NA	NA	NA
BVA-5AS1.5-OVP	HA5-1.5/OVP-A	HA5-1.5/OVP-A+	IHA5-1.5/OVP	NA	NA	SOLV6-5	NA
BVA-5AS3-OVP	HB5-3/OVP-A	HB5-3/OVP-A+	IHB5-3/OVP	LOS-Z-5	ECV5N3-1	SOLV15-5	2B5-3-1
BVA-5BS6-OVP	HC5-6/OVP-A	HC5-6/OVP-A+	IHC5-6/OVP	LOS-Y-5	ECV5N6-1	SOLV30-5	2C5-6B-1
BVA-5CS9-OVP	HN5-9/OVP-A	HN5-9/OVP-A+	IHN5-9/OVP	LOS-X-5	ECV5N9-1	SOLV45-5	2CC5-9B
BVA-5DS12-OVP	HD5-12/OVP-A	HD5-12/OVP-A+	IHD5-12/OVP	LOS-W-5	ECV5N12-1	SOLV60-5	2D5-12B-1
BVA-5ES18-OVP	HE5-18/OVP-A	HE5-18/OVP-A+	IHE5-18/OVP	LOS-V-5	EC5N17	OLV90-5	2ES-25B
BVA-5FS25-OVP	F5-25/OVP-A	F5-25/OVP-A+	IF5-25/OVP	LOS-R-25	EC5N25	OLV12-5	NA
BVA-5GS35-OVP	G5-35/OVP-A	G5-35/OVP-A+	IG5-35/OVP	NA	NA	NA	NA
BVA-12AS0.9	HA15-0.9-A	HA15-0.9-A+	IHA15-0.9	NA	NA	SOLV6-12	NA
BVA-12AS1.7	HB12-1.7-A	HB12-1.7-A+	IHB12-1.7	LOS-Z-12	ECV12N1.7	SOLV15-12	2B15-1.3B
BVA-12BS3.4	HC12-3.4-A	HC12-3.4-A+	IHC12-3.4	LOS-Y-12	ECV12N3.4	SOLV30-112	2C15-2.8B
BVA-12CS5.1	HN12-5.1-A	HN12-5.1-A+	IHN12-5.1	LOS-X-12	ECV12N5	SOLV45-12	2CC115-4.4B
BVA-12DS6.8	HD12-6.8-A	HD12-6.8-A+	IHD12-6.8	LOS-W-12	ECV12N6.8	SOLV60-12	2D15-6B
BVA-12ES10.2	HE12-10.2-A	HE12-10.2-A+	IHE12-10.2	LOS-V-12	EC12N10	OLV90-12	2DD15-9B
BVA-12FS16	F15-15-A	F15-15-A+	IF15-15	NA	EC12N16	OLV120-12	NA
BVA-15AS0.9	HA15-0.9-A	HA15-0.9-A+	IHA15-0.9	NA	NA	SOLV6-15	NA
BVA-15AS1.5	HB15-1.5-A	HB15-1.5-A+	IHB15-1.5	LOS-Z-15	ECV15N1.5	SOLV15-15	2B15-1.3B
BVA-15BS3	HC15-3-A	HC15-3-A+	IHC15-3	LOS-Y-15	ECV15N3	SOLV30-15	2C15-2.8B
BVA-15CS4.5	HN15-4.5-A	HN15-4.5-A+	IHN15-4.5	LOS-X-15	ECV15N4.5	SOLV45-15	2CC15-6B
BVA-15DS6	HD15-6-A	HD15-6-A+	IHD15-6	LOS-W-15	ECV15N6	SOLV60-15	2D15-6B
BVA-15ES9	HE15-9-A	HE15-9-A+	IHE15-9	LOS-V-15	ECV15N9.5	OLV90-15	2DD15-9B
BVA-15FS15	F15-15-A	F15-15-A+	IF15-15	NA	EC15N14	OLV120-15	NA
BVA-24AS0.5	HA24-0.5-A	HA24-0.5-A+	IHA24-0.5	NA	NA	SOLV15-24	NA
BVA-24AS1.2	HB24-1.2-A	HB24-1.2-A+	IHB24-1.2	LOS-Z-24	ECV24N1.2	SOLV30-24	2B24-1B
BVA-24BS2.4	HC24-2.4-A	HC24-2.4-A+	IHC24-2.4	LOS-Y-24	ECV24N2.4	SOLV45-24	2C24-2.3B
BVA-24CS3.6	HN24-3.6-A	HN24-3.6-A+	IHN24-3.6	LOS-X-24	ECV24N3.6	SOLV60-24	2CC24-3.7B
BVA-24DS4.8	HD24-4.8-A	HD24-4.8-A+	IHD24-4.8	LOS-W-24	ECV24N4.8	OLV90-24	WD24-5B
BVA-24ES7.2	HE24-7.2-A	HE24-7.2-A+	IHE24-7.2	LOS-V-24	EC24N7.5	OLV120-24	2DD24-7.5B
BVA-24FS12	F24-12-A	F24-12-A+	IF24-12	NA	EC24N10	OLV240-24	2E24-11B
BVA-28AS0.5	HA24-0.5-A	HA24-0.5-A+	IHA28-0.5	NA	NA	SOLV15-28	NA
BVA-28AS1	HB28-1-A	HB28-1-A+	IHB28-1	LOS-Z-28	NA	SOLV30-28	NA
BVA-28BS2	HC28-2-A	HC28-2-A+	IHC28-2	LOS-Y-28	NA	SOLV45-28	NA
BVA-28CS3	HN28-3-A	HN28-3-A+	IHN28-3	LOS-X-28	NA	SOLV60-28	NA
BVA-28DS4	HD28-4-A	HD28-4-A+	IHD28-4	LOS-W-28	NA	OLV90-28	NA
BVA-28ES6	HE28-6-A	HE28-6-A+	IHE28-6	LOS-V-28	NA	OLV120-28	NA
BVA-28FS10	F24-12-A	F24-12-A+	IF28-12	NA	NA	OLV240-28	NA
BVA-48AS0.5	HB48-0.5-A	HB48-0.5-A+	IHB48-0.5	NA	NA	NA	NA
BVA-48BS1	HC48-1-A	HC48-1-A+	IHC48-1	NA	NA	SOLV30-48	NA
BVA-48DS3	HD48-3-A	HD48-3-A+	IHN48-3	NA	NA	SOLV60-48	NA
BVA-48ES4	HE48-4-A	HE48-4-A+	IHD48-4	NA	NA	NA	NA
BVA-48FS8	HF48-8-A	F48-8-A++	IHE48-8	NA	NA	NA	NA
BVA-5AD1.5/OVP	HAA5-1.5/OVP-A	HAA5-1.5/OVP-A+	IHAA5-1.5/OVP	NA	NA	NA	NA
BVA-5BD3/OVP	HBB5-3/OVP-A	HBB5-3/OVP-A+	IHBB5-3/OVP	NA	NA	NA	NA
BVA-5CD6/OVP	HCC5-6/OVP-A	HCC5-6/OVP-A+	IHCC5-6/OVP	NA	NA	NA	NA
BVA-12AA0.4	HAD12-0.4-A	HAD12-0.4-A+	IHAD12-0.4	NA	NA	NA	NA
BVA-15AA0.4	HAD15-0.4-A	HAD15-0.4-A+	IHAD15-0.4	NA	NA	NA	NA
BVA-12AD1.0	HAA15-0.4-A	HAA15-0.4-A+	IHAA15-0.8	LOD-Y-152	ECV12D1.0	UPS18	2J150-5B
BVA-12BD1.7	HBB15-1.5-A	HBB15-1.5-A+	IHBB15-1.5	LOD-X-152	ECV12D1.7	UPS30	2K150-1.3B
BVA-12CD3.4	HCC15-3-A	HCC15-3-A+	IHCC15-3	LOD-W-152	ECV12D3.4	NA	2L150-2.8D
BVA-12ED5	HDD15-5-A	HDD15-5-A+	IHDD15-5	NA	EC12D5	NA	NA
BVA-52A15T0.4	HTAA-16W-A	HTA+A+-16W-A+	IHTAA-16W	NA	NA	NA	NA
BVA-53B12T1	HBAA-40W-A	HBA+A+-40W-A+	IHBAA-40W	LOT-X-5152A	ETV351	UPS45	2P30TB
BVA-56C12T1.7	HCBB-75W-A	HCBB-75W-A+	IHCBB-75W	LOT-W-5152A	ETV451	NA	2R70TB
BVA-56D12T1	HCAA-60W-A	HCA+A+-60W-A+	IHCAA-60W	LOT-W-5152A	ETV401	NA	NA
BVA-58E12T1.7	CP131-A	CP131-A+	ICP131	LOT-W-5152A	ETV551	NA	NA
BVA-512F12T3.4	HDCC-150W-A	HDCC-150W-A+	IHDCC-150W	LOT-W-5152A	ET601/602	NA	NA
BVA-512JF12T1.7	HDBB-105W-A	HDBB-105W-A+	IHDBB-105W	LOT-W-5152A	ETV651	UPS65	NA

DC Power Supplies
Series: BVU - Unregulated Power Supplies

Cross References

PowerVolt	Int'l Power
BVU-12FU45	IP500U12
BVU-24FU20	IP500U24
BVU-36FU15	IP500U36
BVU-48FU10	IP500U48
BVU-65FU10	IP500U65
BVU-75FU5	IP500U75

The screenshot shows the PowerVOLT Group website interface. At the top, there is a search bar and navigation links for 'My Account', 'Certificates & Compliance', 'Cross Reference', and 'Online Catalog'. A left sidebar lists various product categories under 'All Categories', including 'Industrial Control Transformers', 'Class 2 Transformers', and 'DC Power Supply'. The main content area features a 'New Products' section with four featured items: 'Configurable Industrial Control Transformers', 'Class 2 Transformers', 'High Efficiency Flame Retardant', and 'Prem Magnetics'. Below this, a 'Shop All Categories' section highlights 'Industrial Control Transformers' with three specific product cards: 'GP Series Standard', 'GP Series Econoline', and 'Enclosed Control Transformers'. Each card includes a generic picture, a list of key specifications, and an 'Explore All' button.

www.powervoltgroup.com

Notes:

Any application, Any requirement, Contact us for our Custom Designs

POWERVOLT GROUP

300 W Factory Road, Addison IL 60101 • Phone: (630) 628-9999 • Fax: (630) 628-9922 • www.powervoltgroup.com

Notes:

Any application, Any requirement, Contact us for our Custom Designs

POWERVOLT GROUP

**Class 2 Transformers
Specially designed for:**

- HVAC Industry
- Lighting Industry
- Vending Machines
- Irrigation Systems
- Beverage Dispensers
- Household Appliances
- Commercial Cooking, Food Warming & Ice Making Equipment
- Commercial Laundry Equipment
- Garage Door Controls
- Swimming Pool, Spas & Water Treatment
- Chimes, Door Bells
- Security systems
- Furnaces
- Humidifiers
- Decorative Lighting
- Intercom Systems
- And many others....

**General Purpose Power Transformers
serving:**

- Medical & Dental
- Process & Packaging Equipment
- Process Control & Sensor Equipment
- Power Generators & Monitoring Systems
- Residential & Commercial Signs
- Lighting & Fiber optics
- Automation & Conveyor Systems
- Welding Generators & Robots
- Mailing & Letter Handling Machinery
- Environmental Controls
- Aviation & Aerospace Equipment
- Studio & Public Address Sound Systems
- Metering, Instrumentation & Laboratory Equipment
- And many others...

POWERVOLT GROUP

300 W Factory Road
Addison, IL 60101
Phone: (630) 628-9999
Fax: (630) 628-9922
www.powervoltgroup.com
sales@powervoltgroup.com

PRSPRT STD
US POSTAGE PAID
ADDISON IL
PERMIT 300